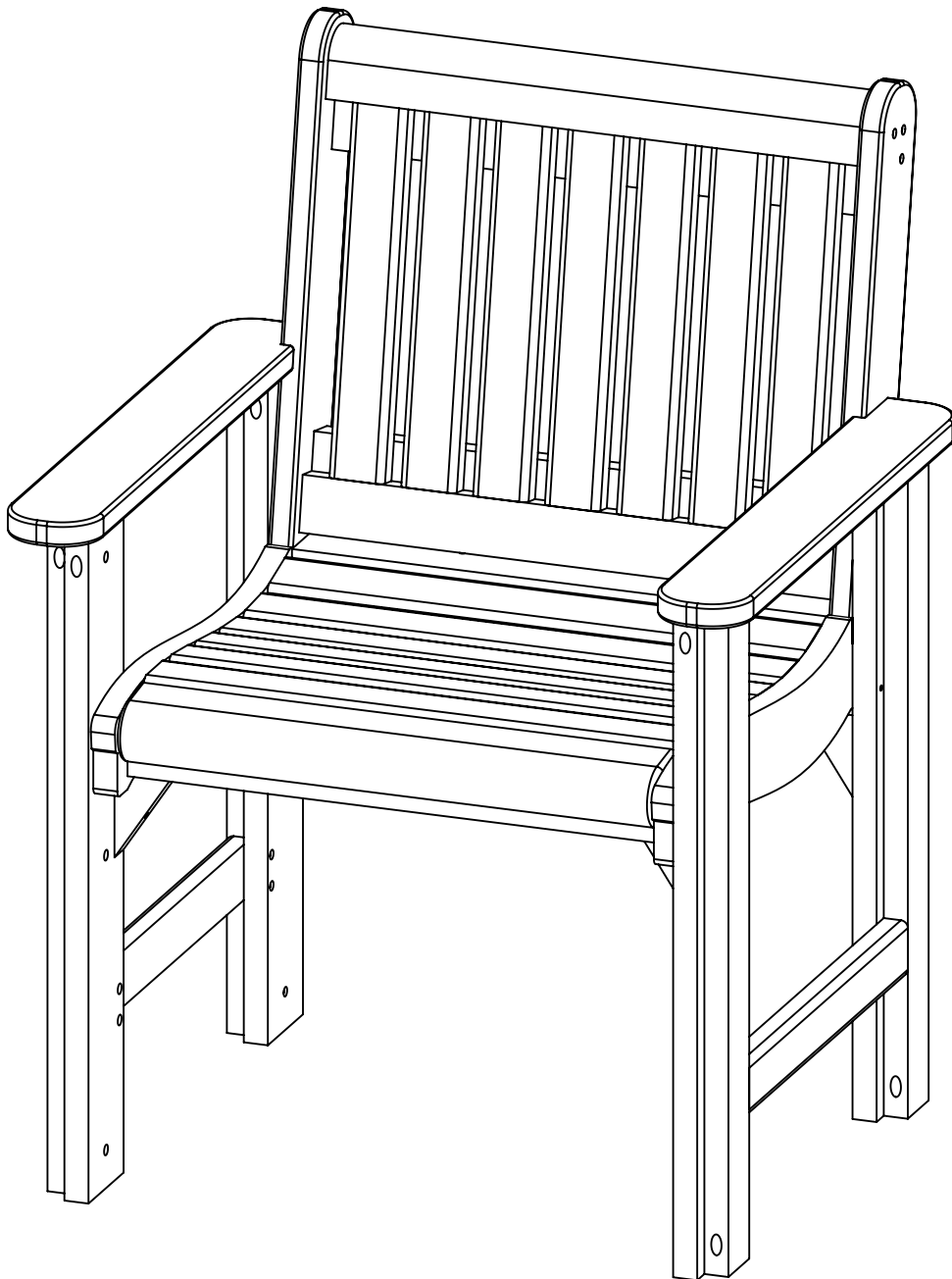




# Generation Line

BY C.R. PLASTIC PRODUCTS INC

C12



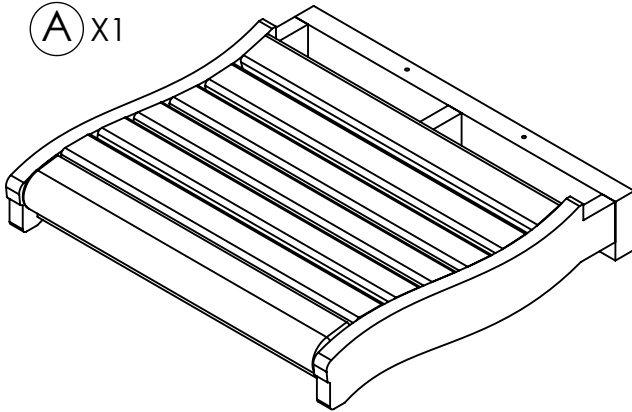


# Generation Line

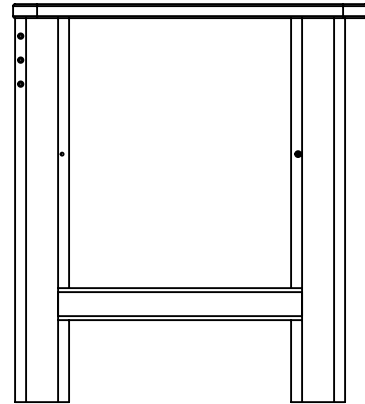
BY C.R. PLASTIC PRODUCTS INC

## C12

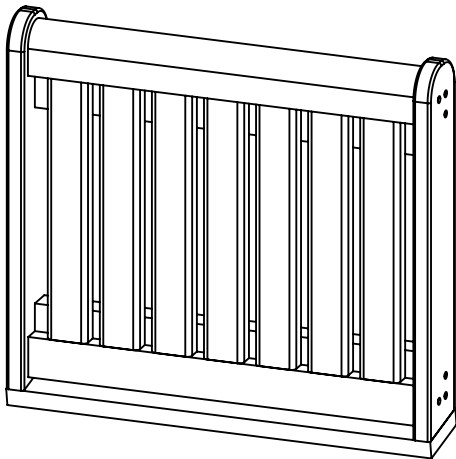
(A) X1



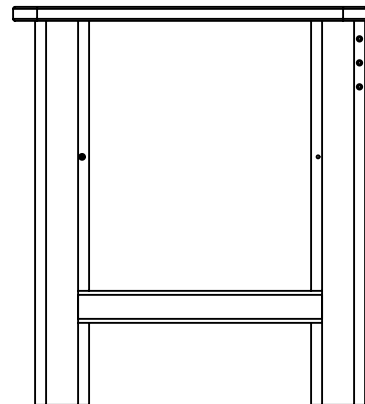
(B) X1



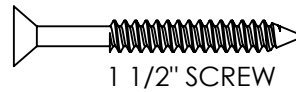
(C) X1



(D) X1



#2



1 1/2" SCREW

(E) X16



800.490.1283



crpproducts.com

FAX 519.271.8544

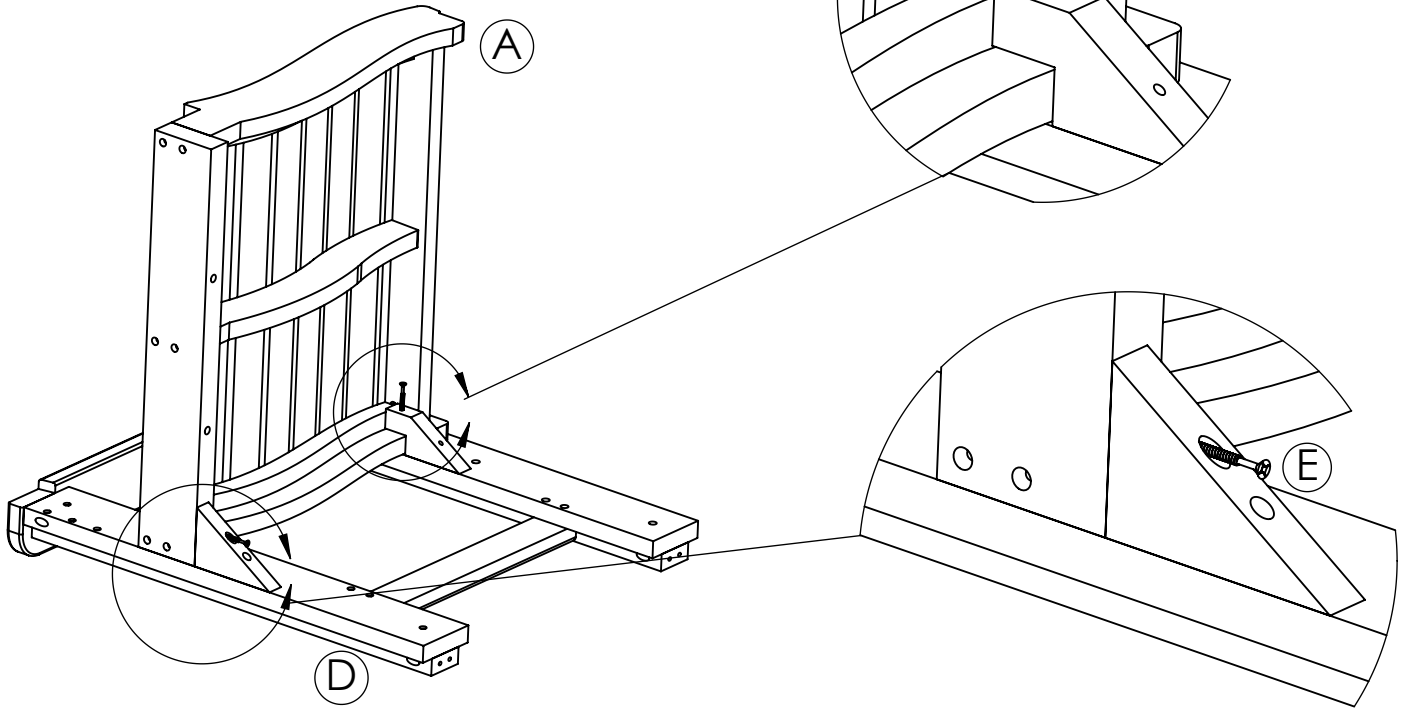
# 1

(A) x1

(B) x1

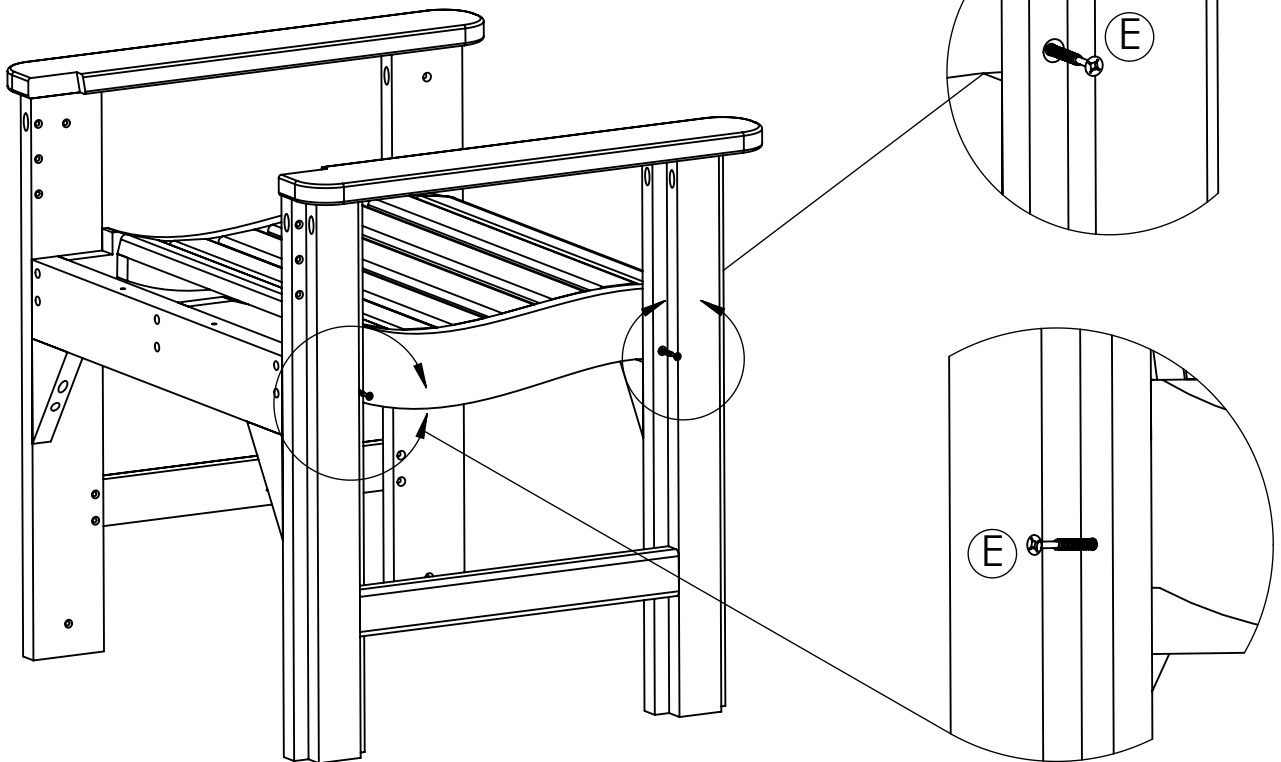
(D) x1

(E) x4

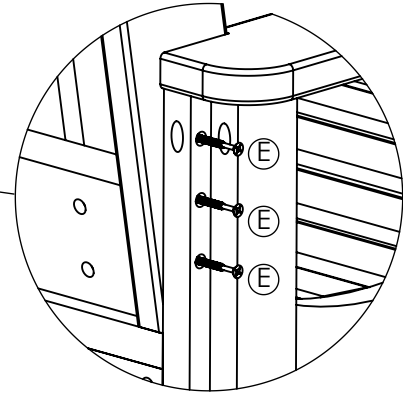
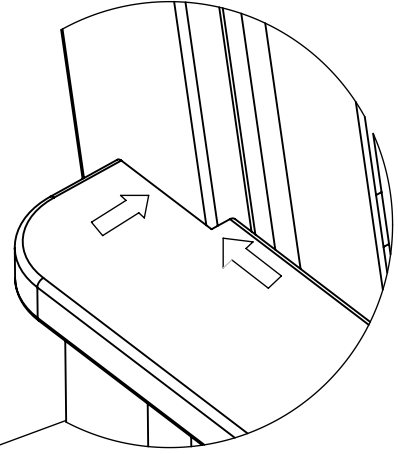
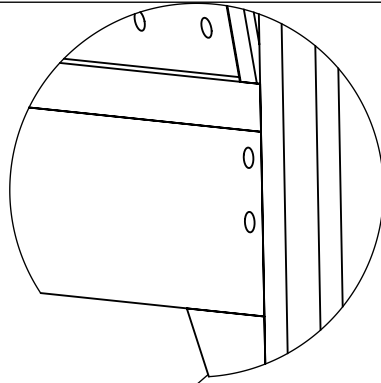
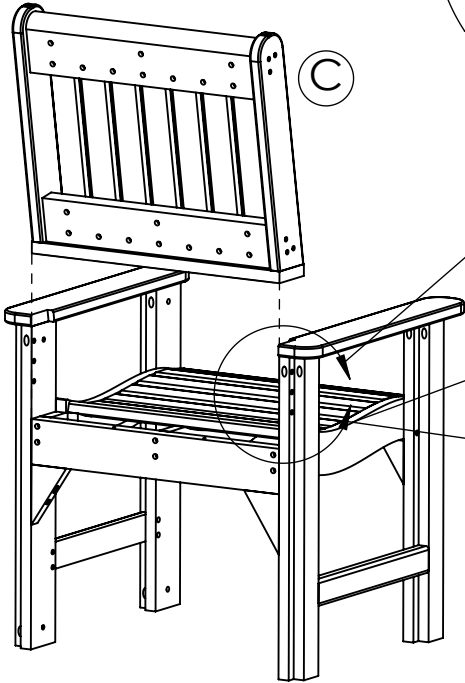


# 2

(E) x4



3 (C) x1  
(E) x6



4 (E) x2

