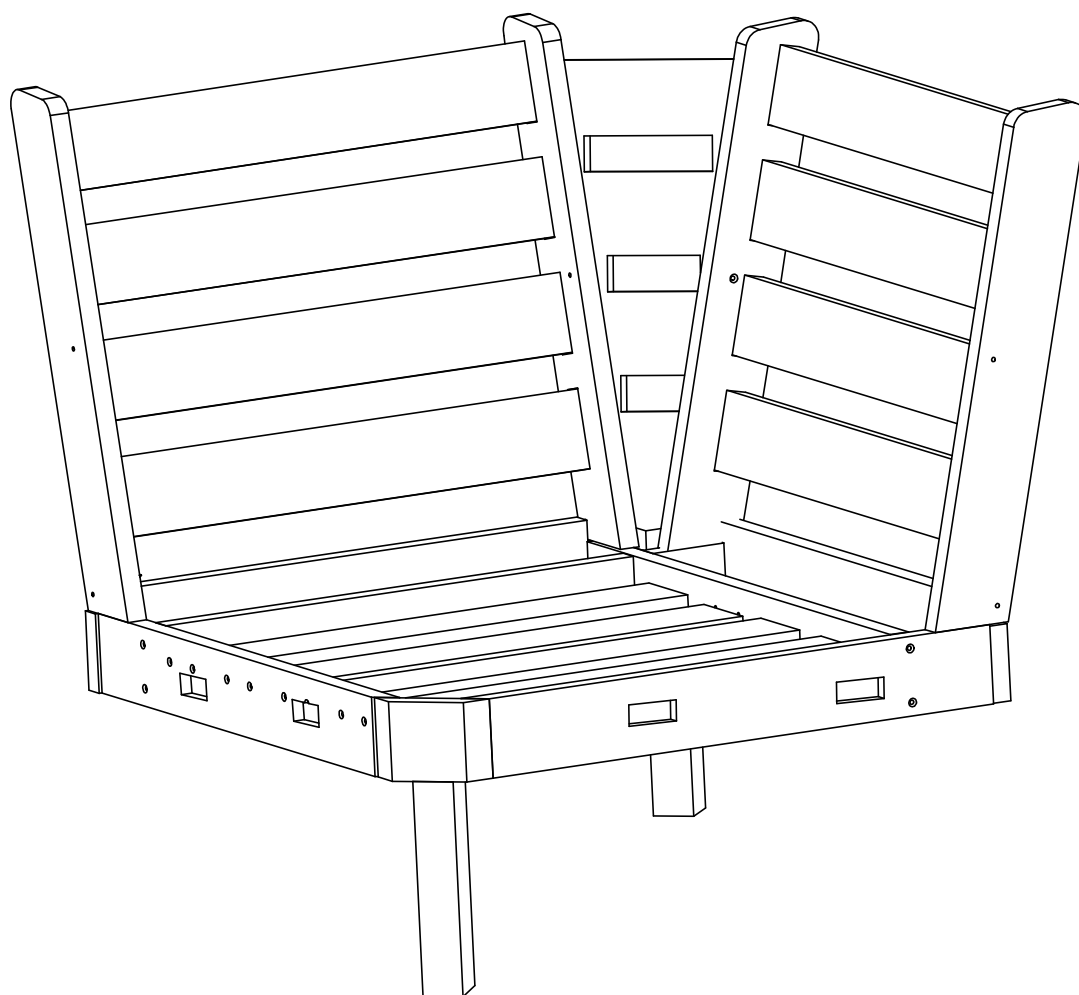


**C.R. PLASTIC
PRODUCTS**

TOFINO DEEP SEATING COLLECTION

DSF246



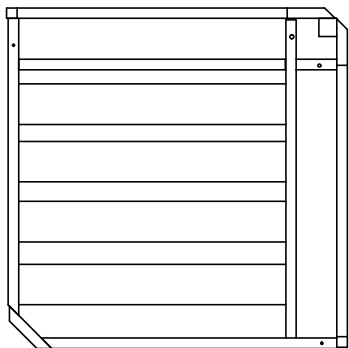


C.R. PLASTIC PRODUCTS

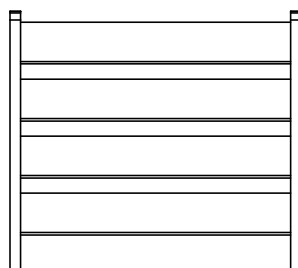


DSF246

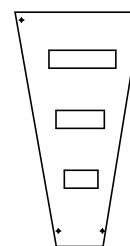
Ⓐ



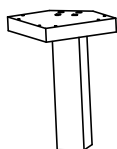
Ⓑ 2x



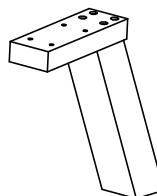
Ⓒ



Ⓓ



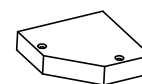
Ⓔ



Ⓕ



Ⓖ



2.5" (64mm) SCREW



Ⓕ 4x

1.5" (38mm) SCREW



Ⓖ 22x



#2



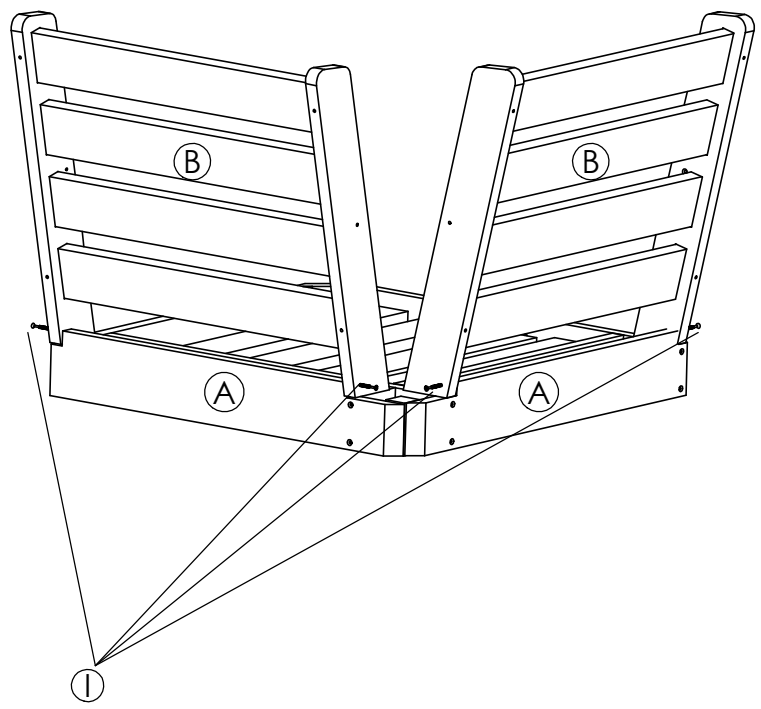
800.490.1283



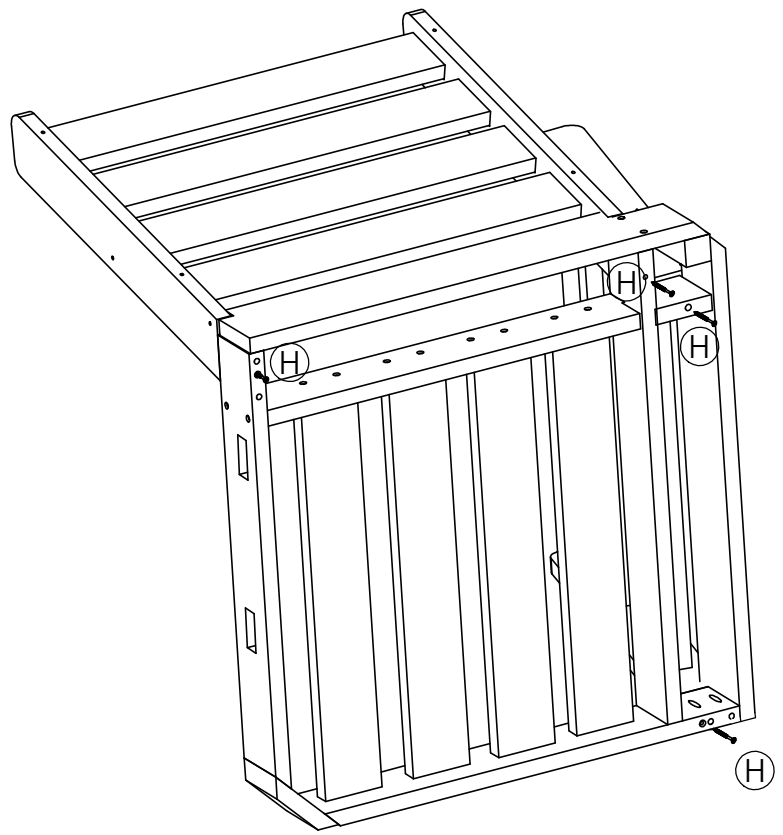
crpproducts.com

FAX 519.271.8544

- 1
Ⓐ 1x
Ⓑ 2x
Ⓘ 4x

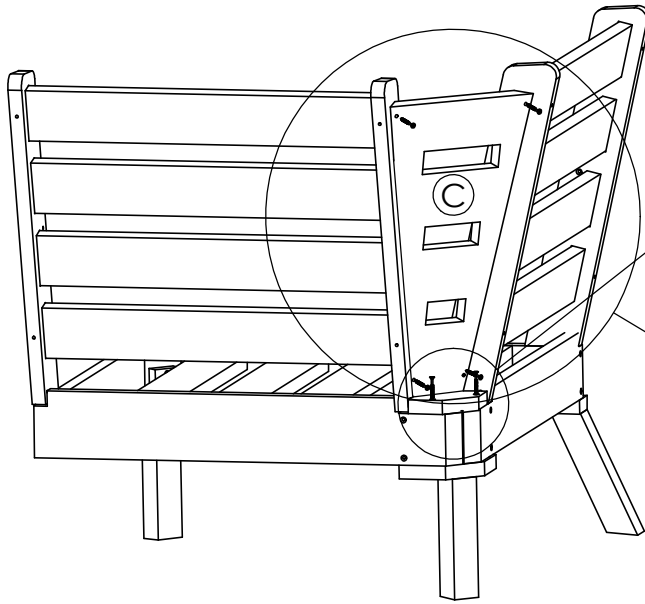


- 2
Ⓗ 4x

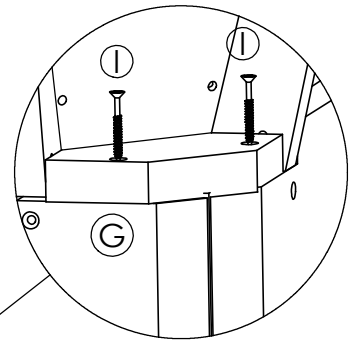


3

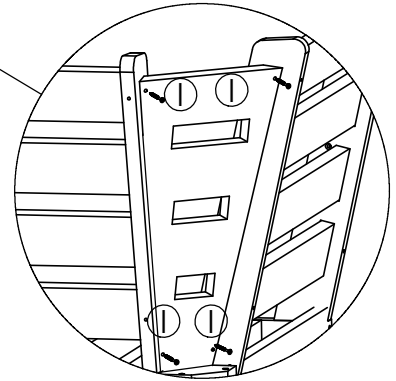
- Ⓢ 1x
- ⓖ 1x
- Ⓛ 6x



STEP 1

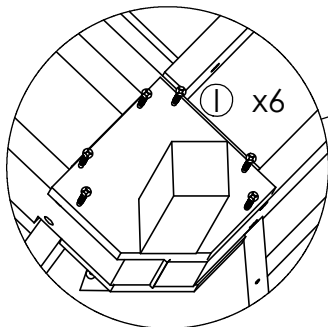
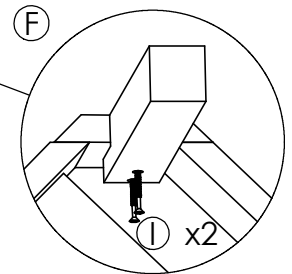
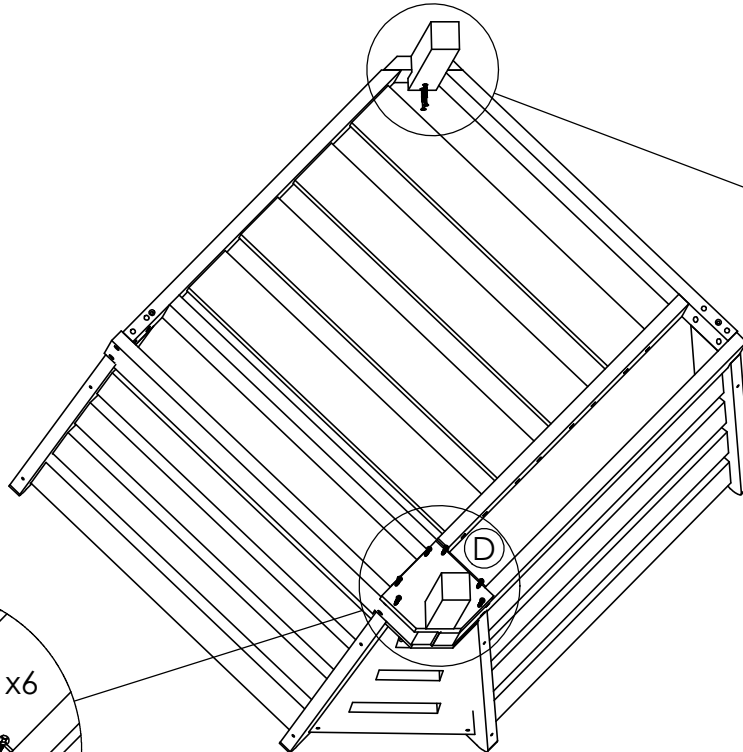


STEP 2



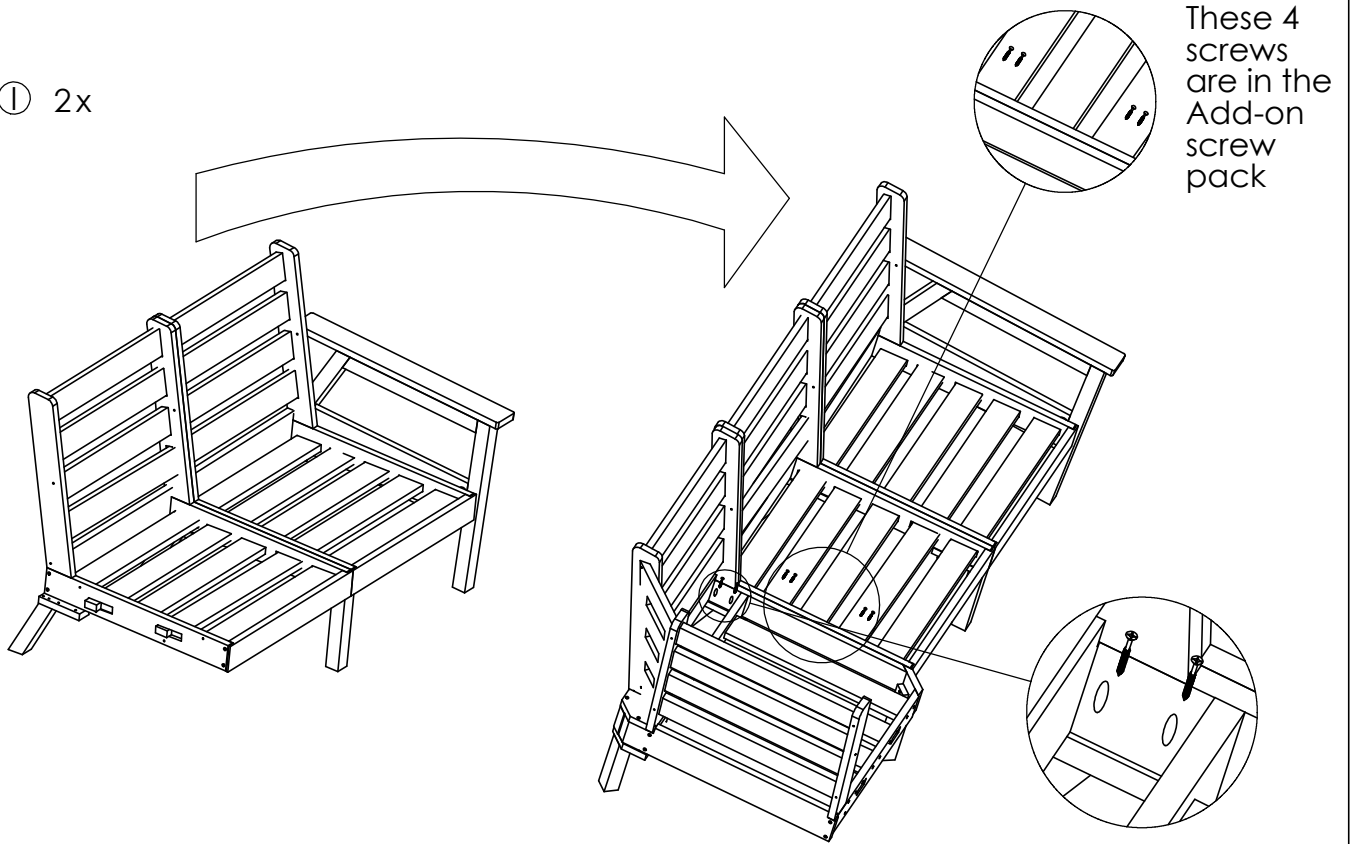
4

- ⓓ 1x
- ⓕ 1x
- Ⓛ 8x



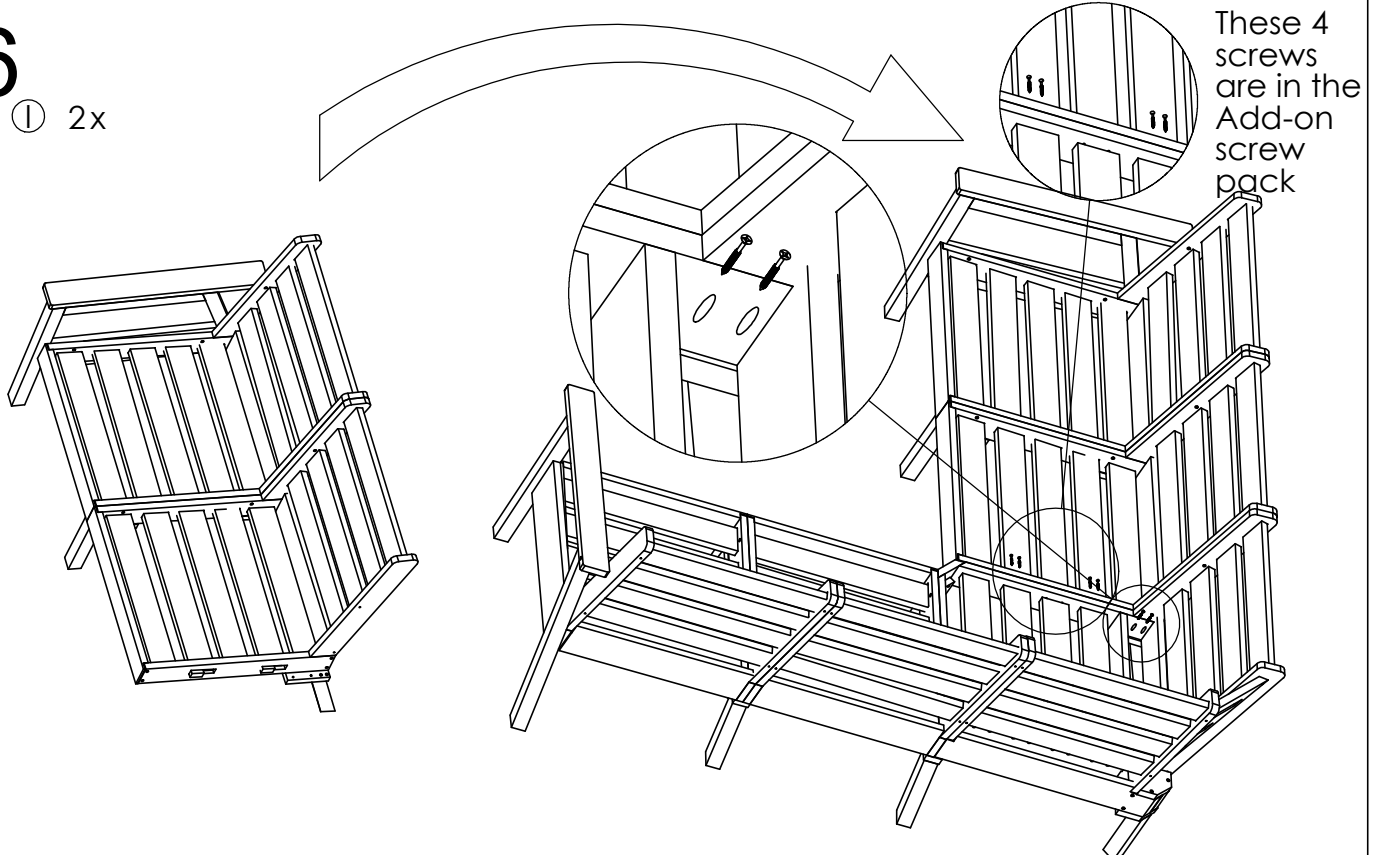
5

① 2x



6

① 2x



Once you assembled the sectional and the two add-ons (DST 245) each side, you should have one extra add-on front leg which does not need to be used.