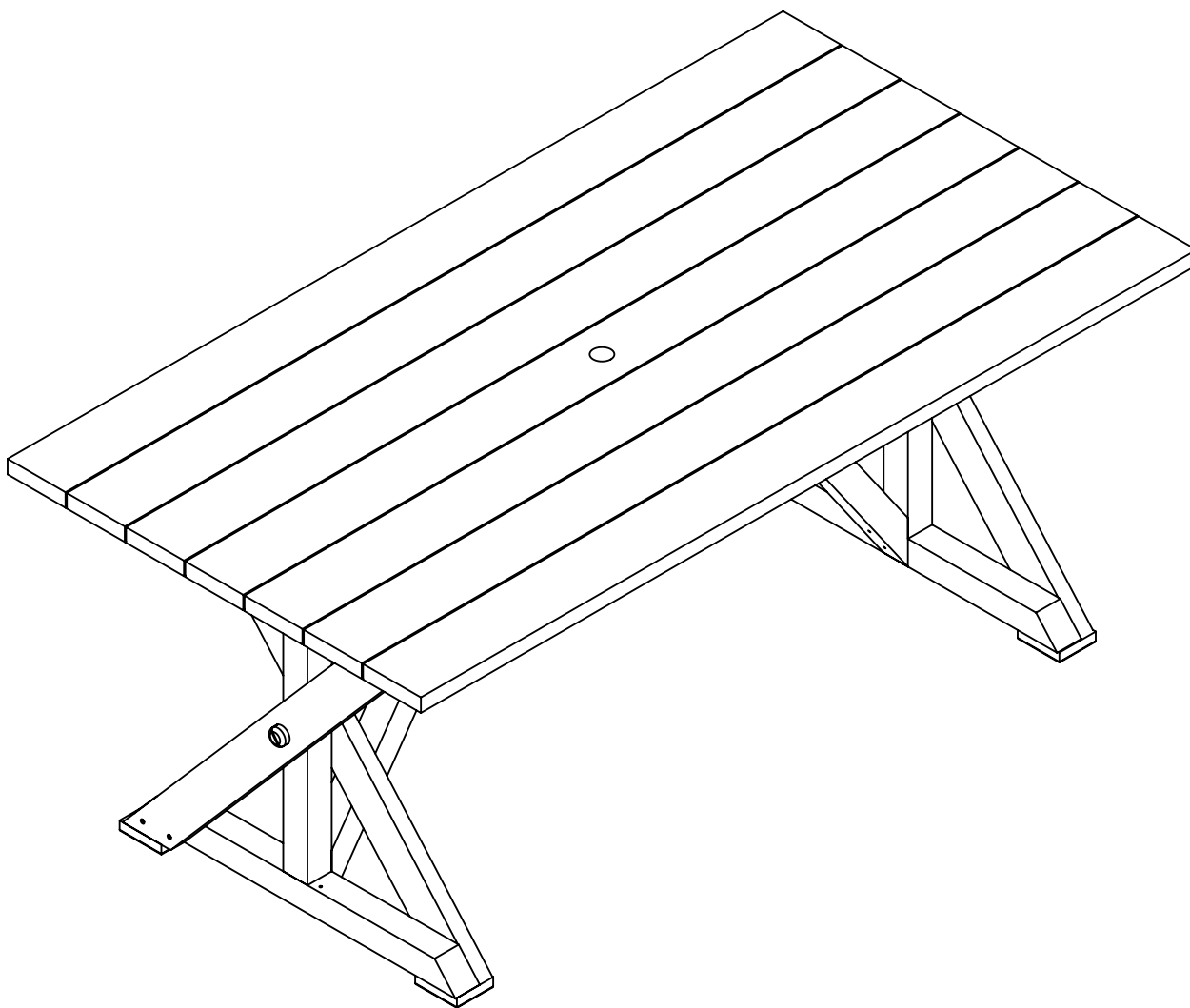


T203



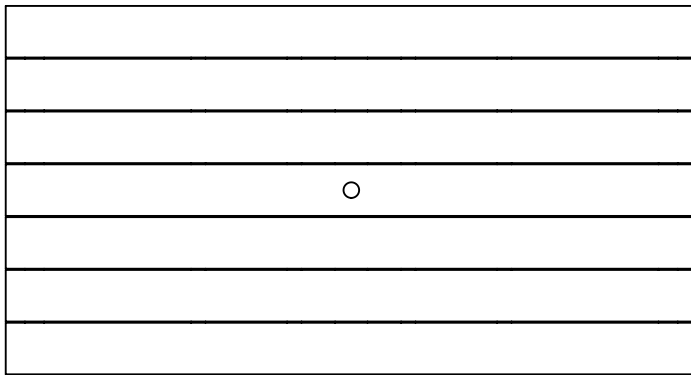


# Generation Line

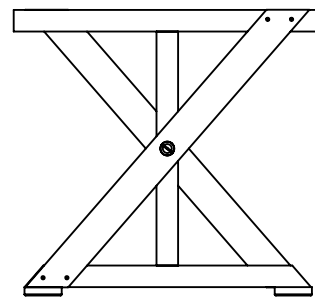
BY C.R. PLASTICS PRODUCTS INC

## T203

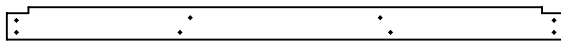
Ⓐx1



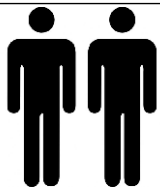
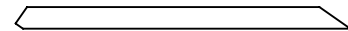
Ⓑx2



Ⓒx2



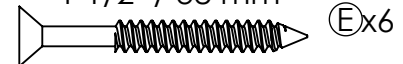
Ⓓx2



#2

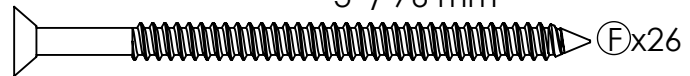


1 1/2" / 38 mm



Ⓔx6

3" / 76 mm



Ⓕx26

2 1/2" / 63 mm



Ⓖx16



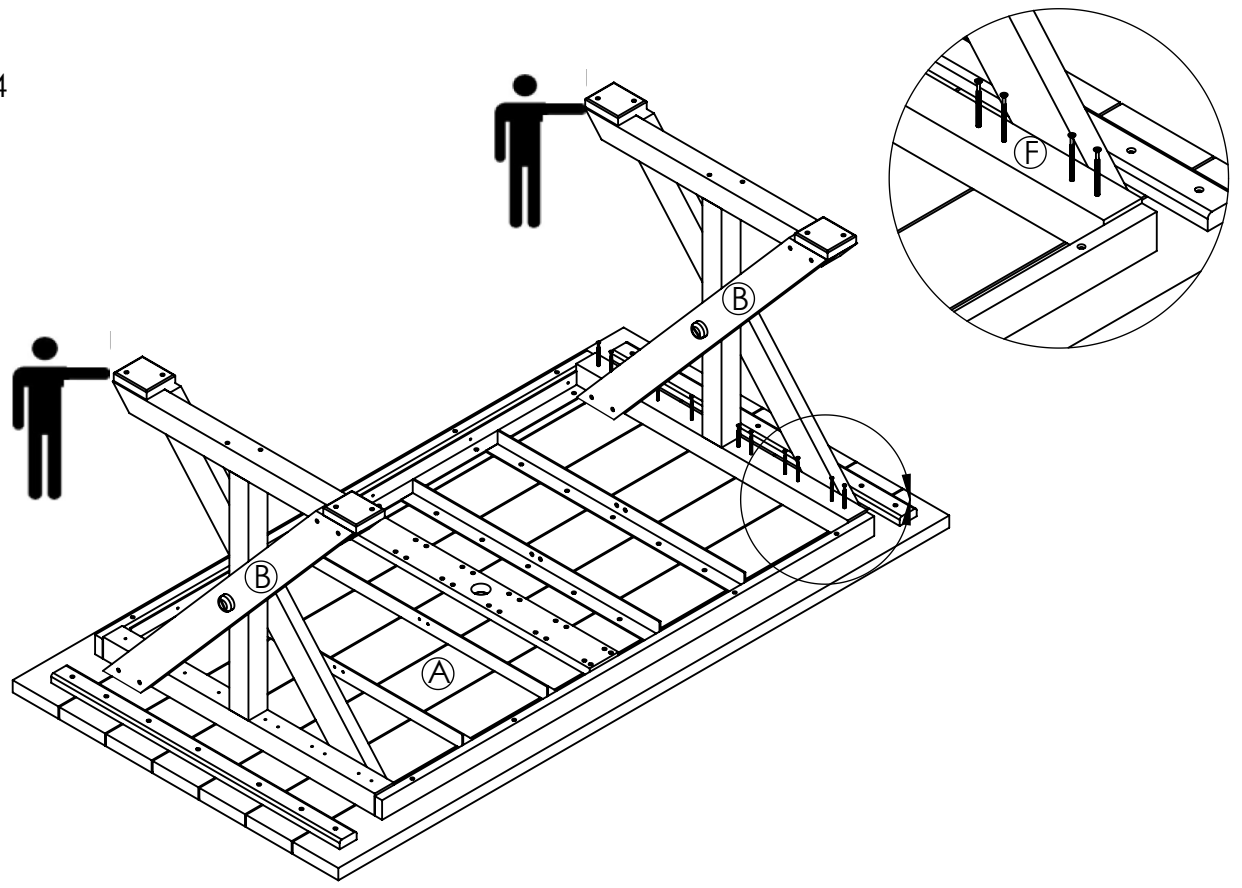
800.490.1283



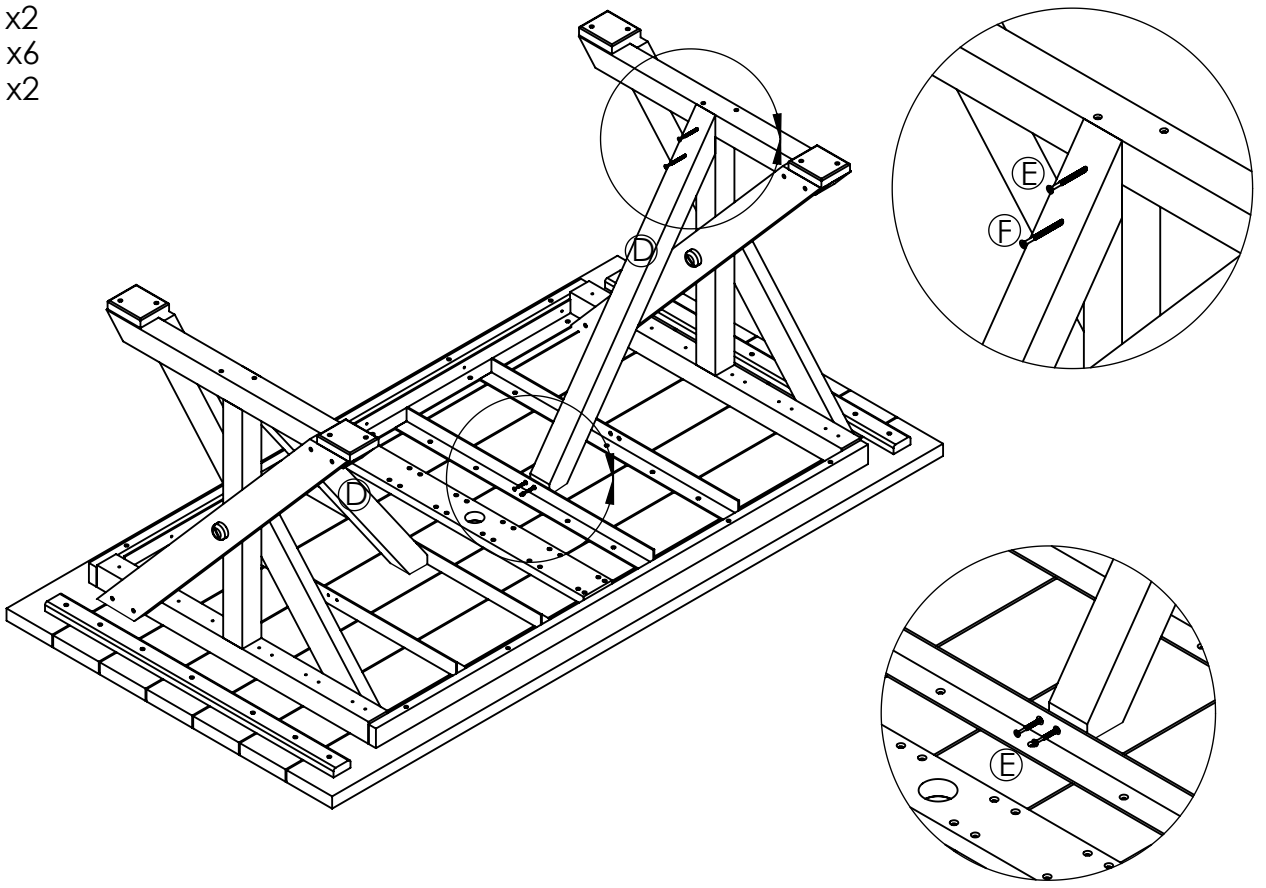
crpproducts.com

FAX 519.271.8544

- 1  
 Ⓐ x1  
 Ⓑ x2  
 Ⓕ x24



- 2  
 Ⓓ x2  
 Ⓔ x6  
 Ⓖ x2



**3**  $\odot$  x2  
 $\odot$  x16

