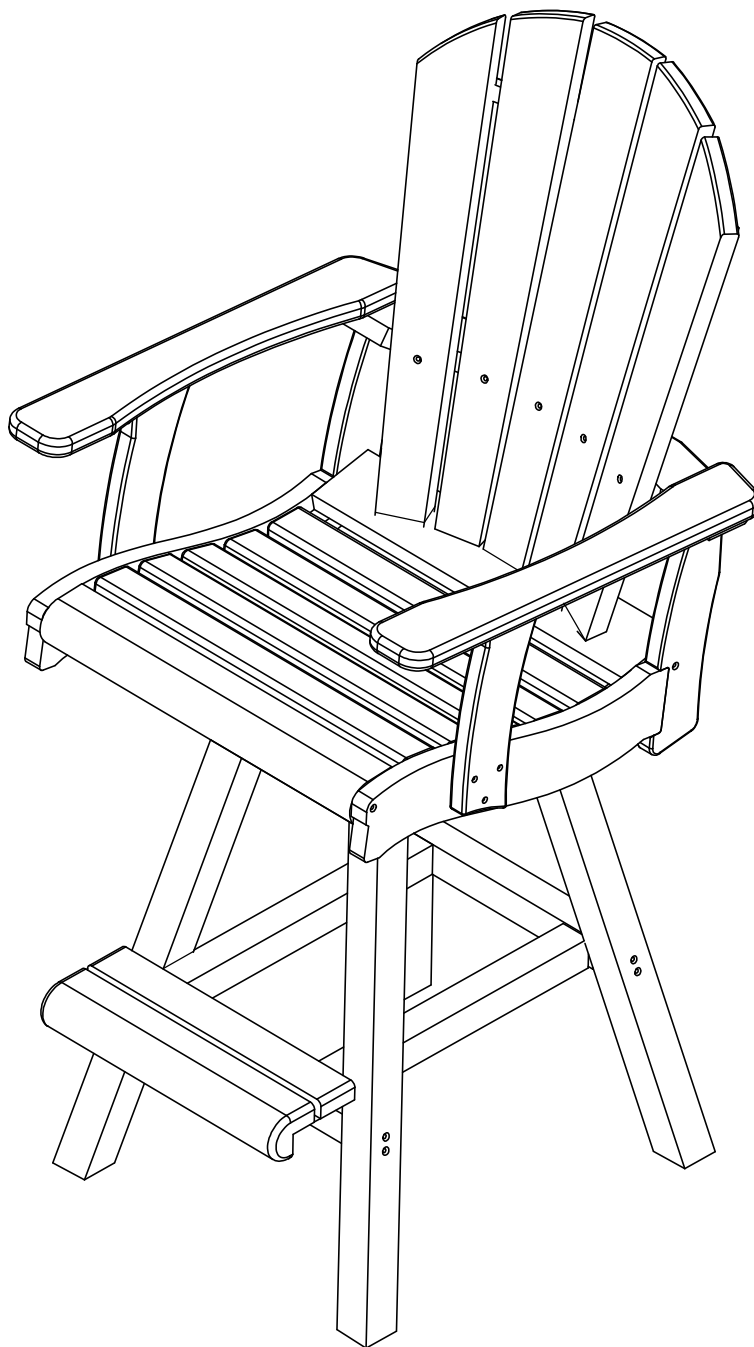




# Generation Line

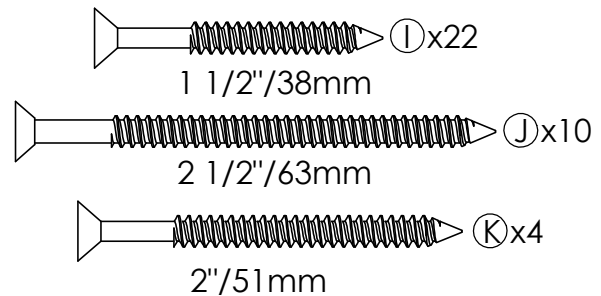
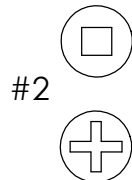
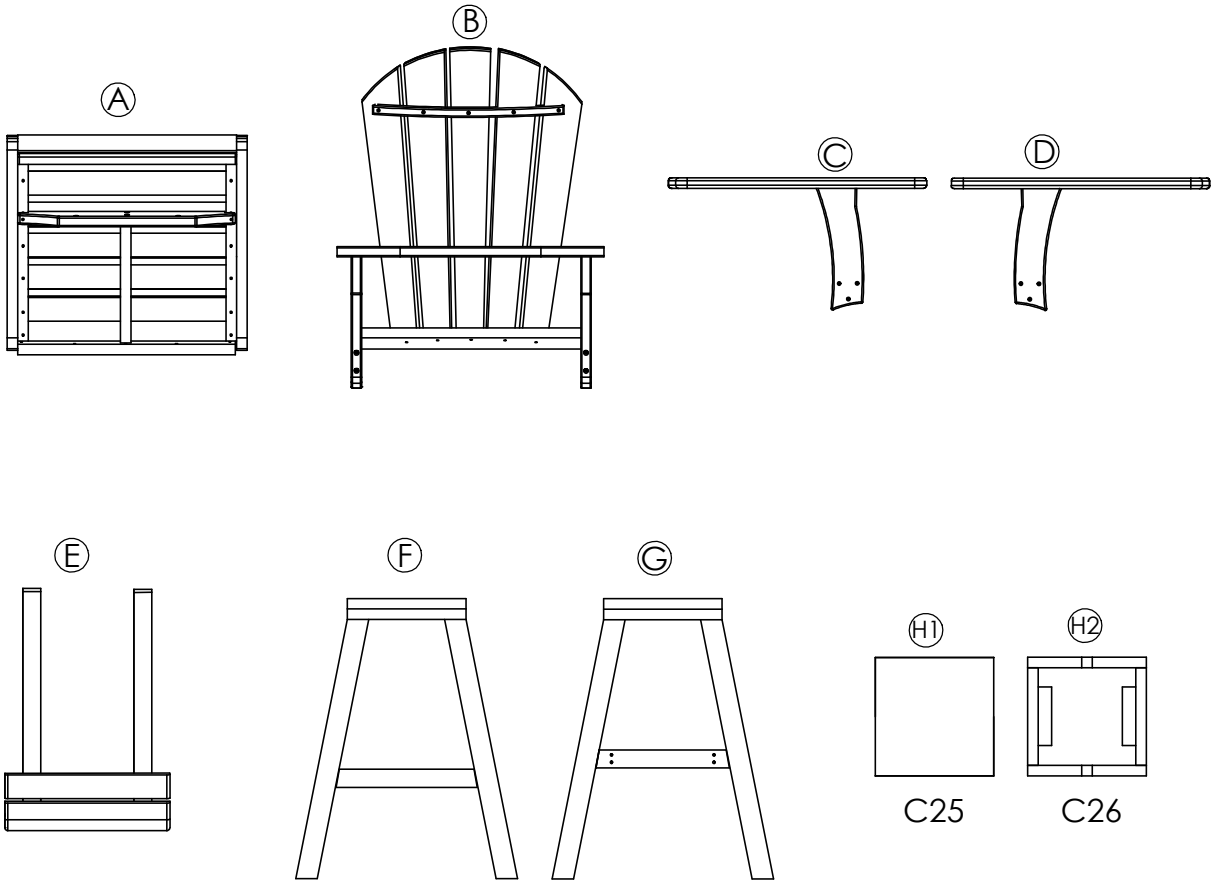
C25/C26





# Generation Line

## C25/C26



800.490.1283

FAX 519.271.8544



[www.crpproducts.com](http://www.crpproducts.com)

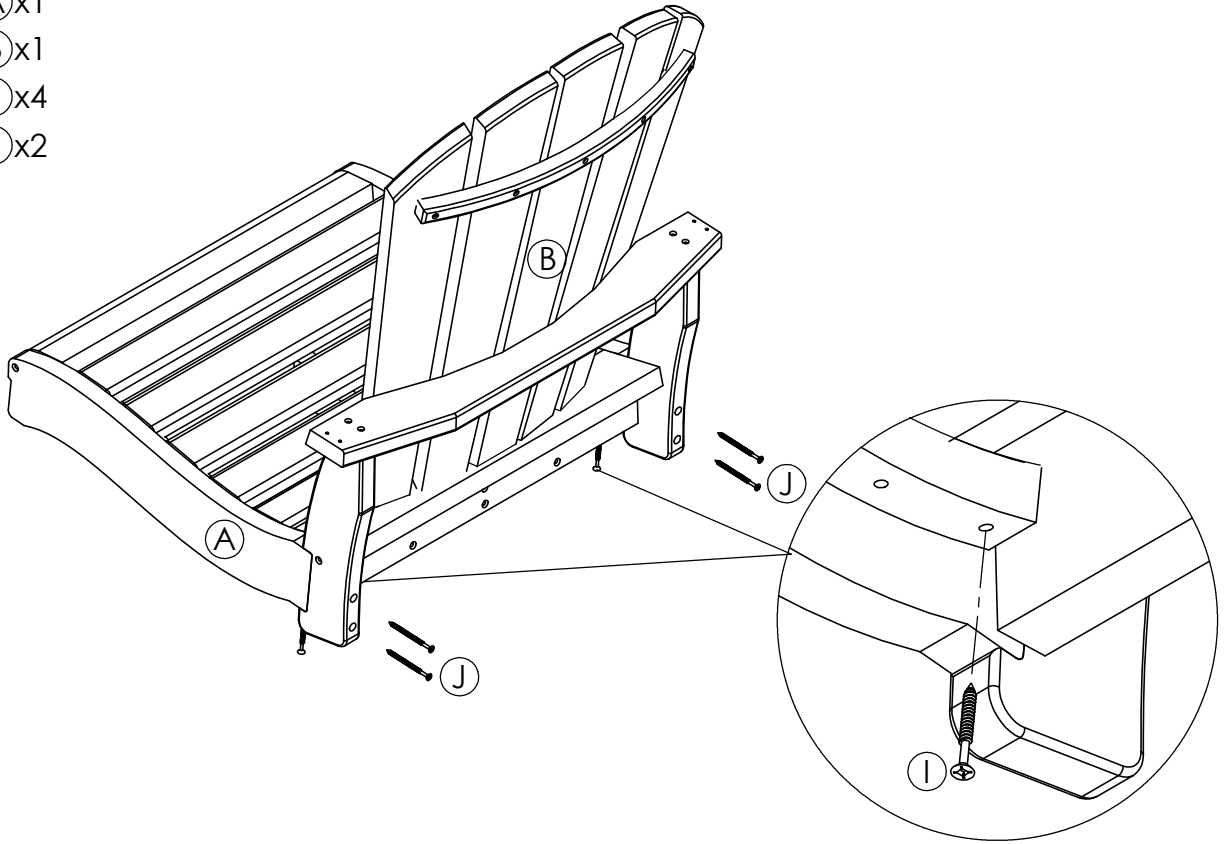
1

(A)x1

(B)x1

(J)x4

(I)x2

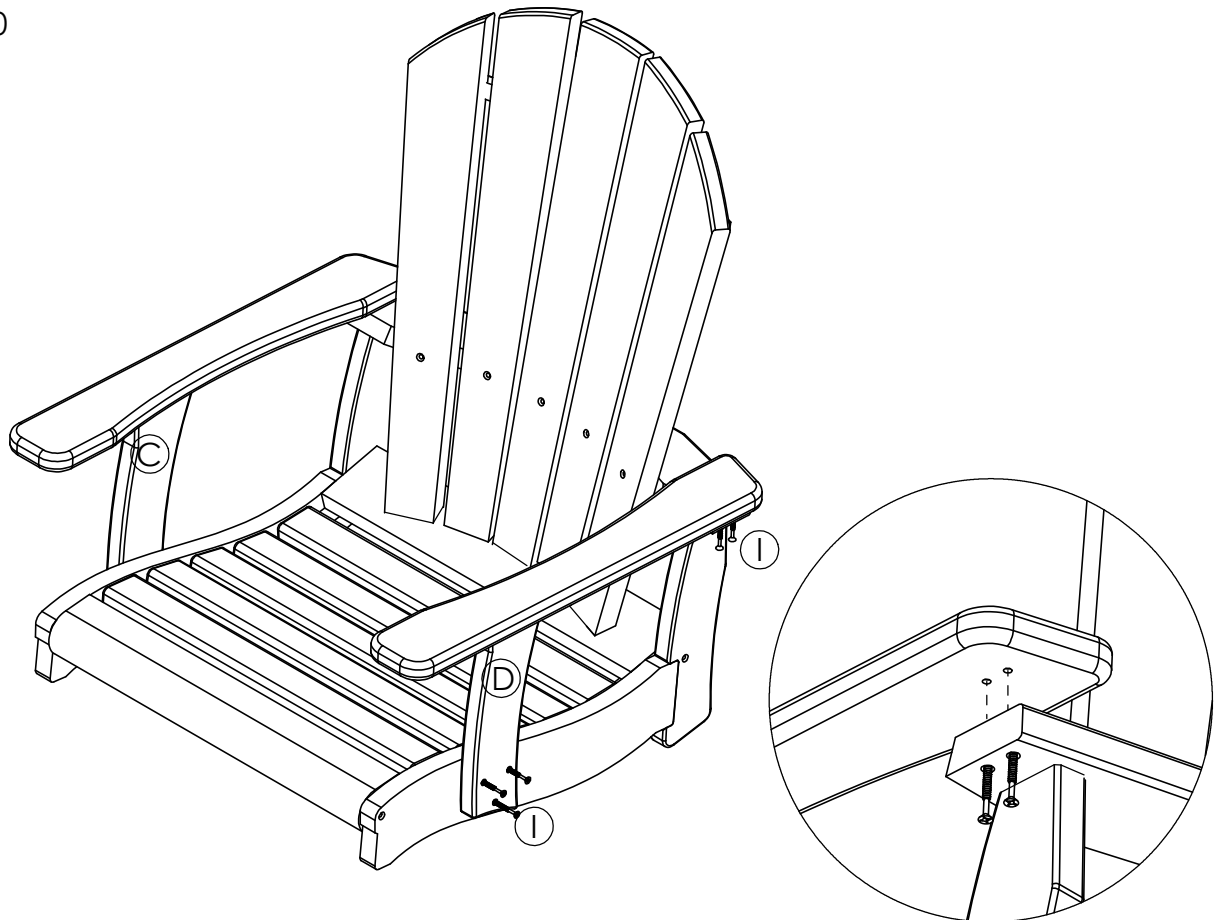


2

(I)x10

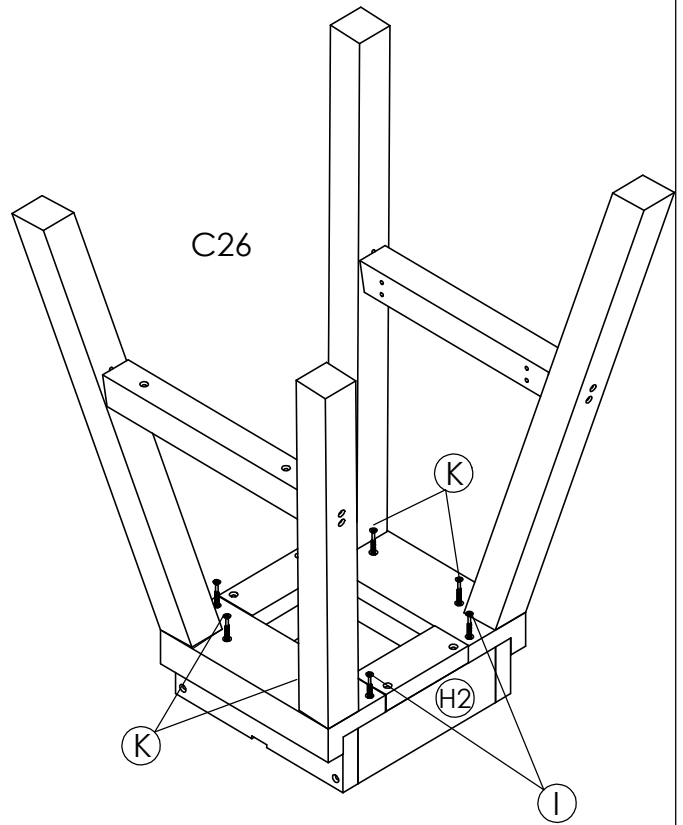
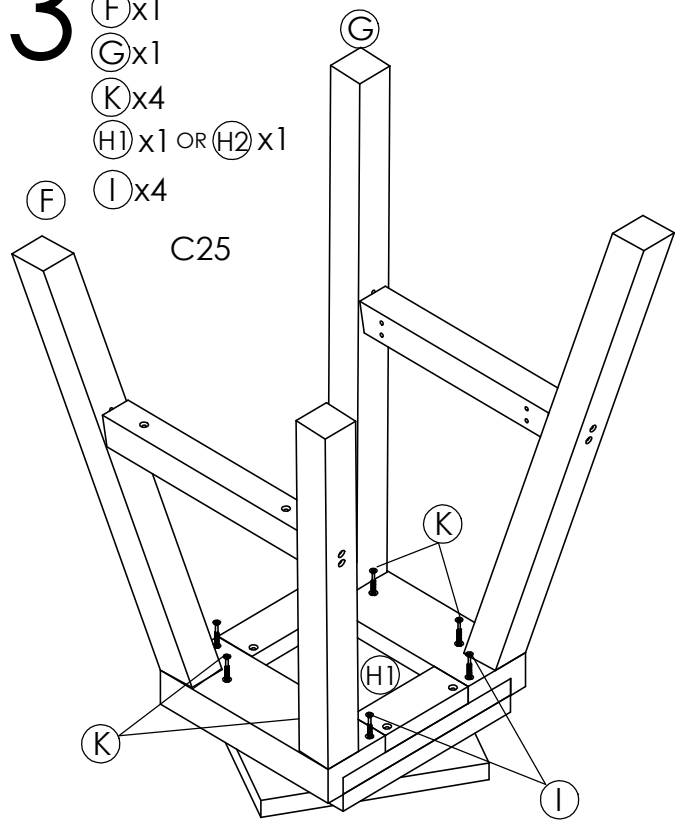
(C)x1

(D)x1



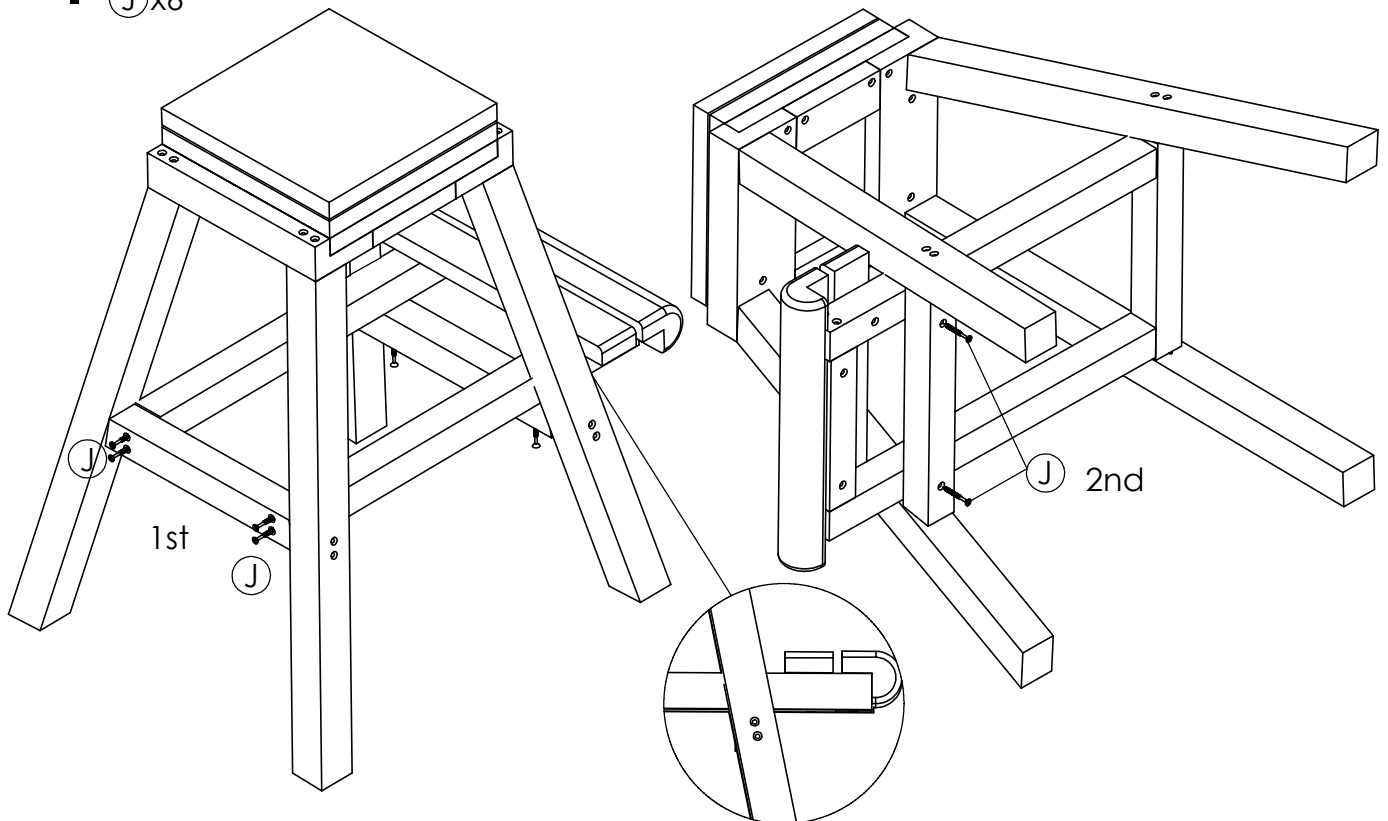
# 3

- F x1
- G x1
- K x4
- H1 x1 OR H2 x1
- I x4

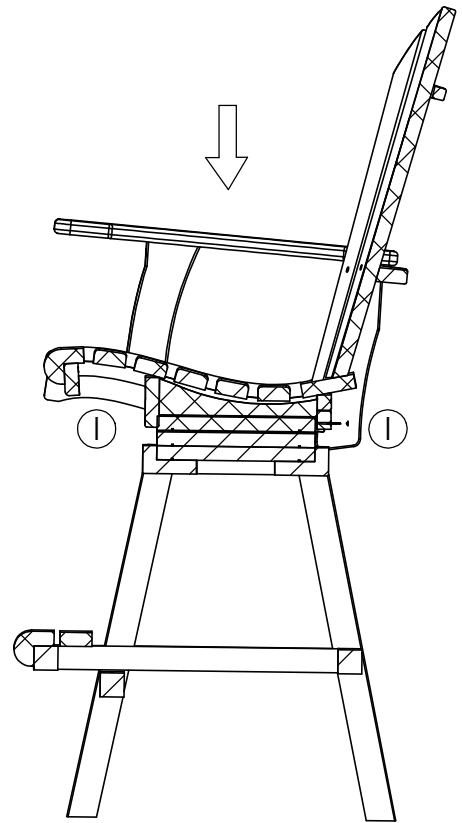
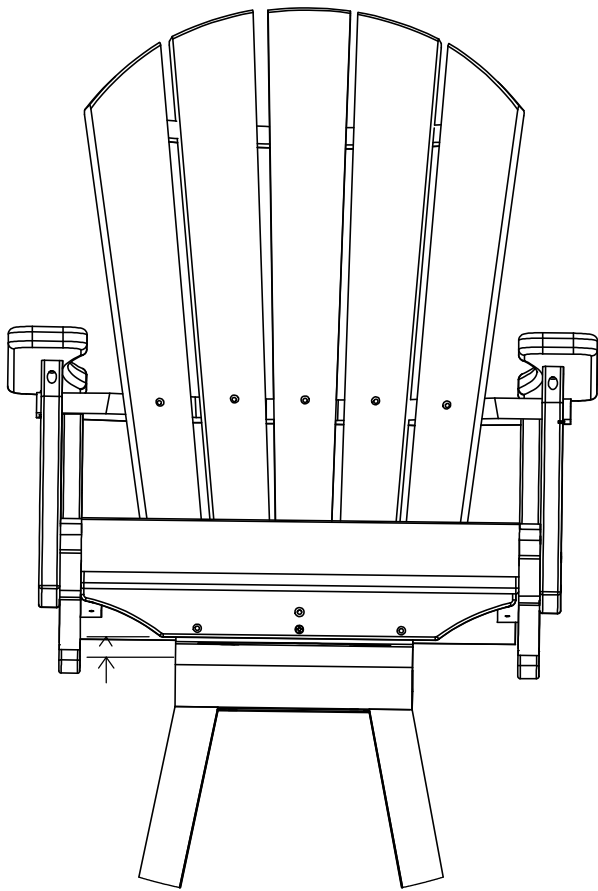


# 4

- E x1
- J x6



5 ①x4





# Generation Line

C25/C26

