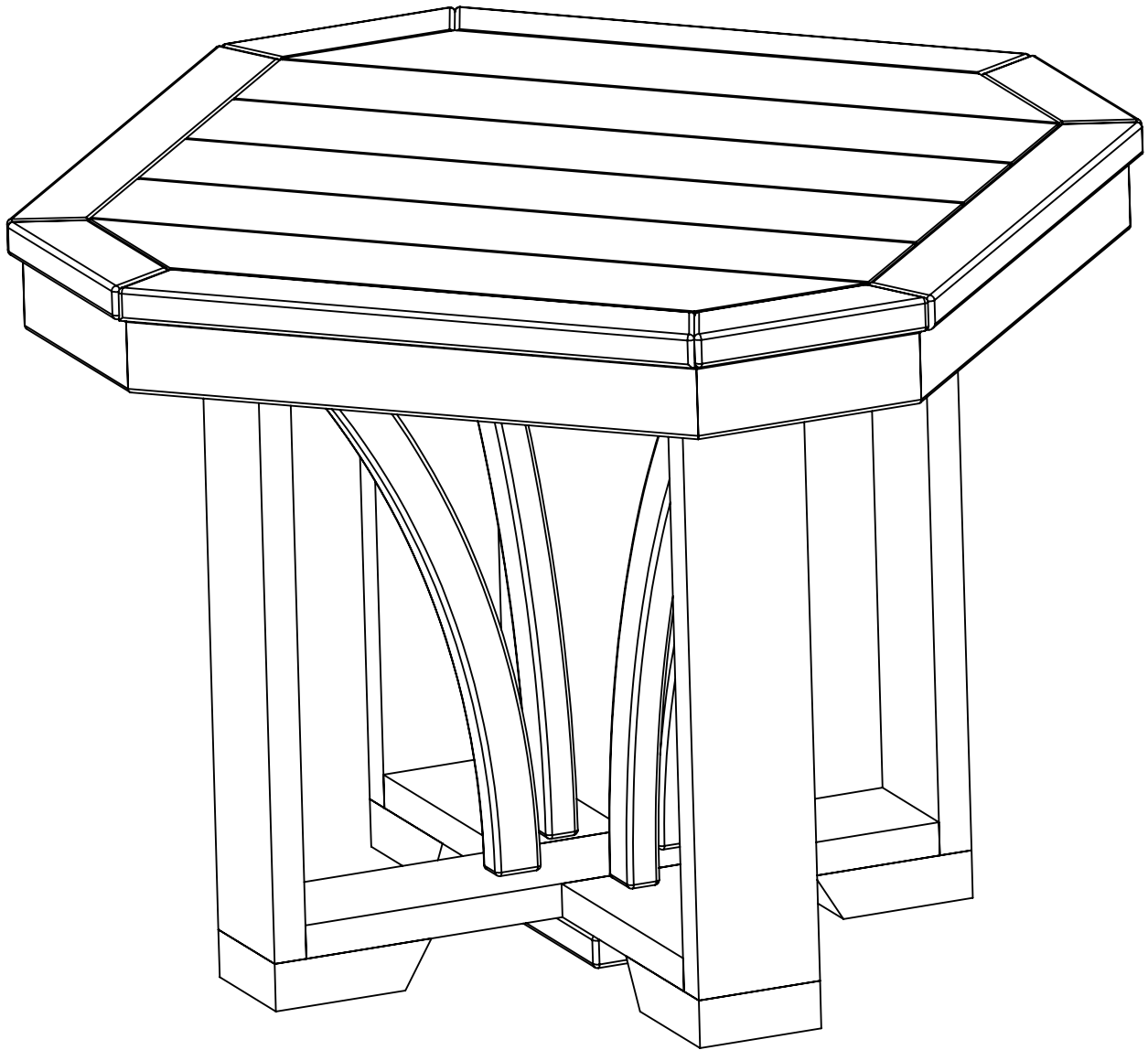




# ST. TROPEZ

BY C.R. PLASTIC PRODUCTS INC

T31

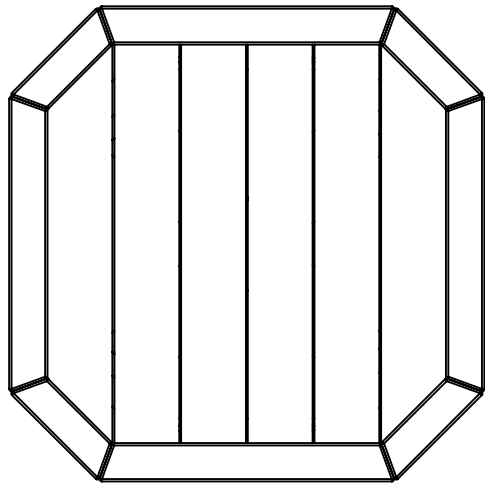




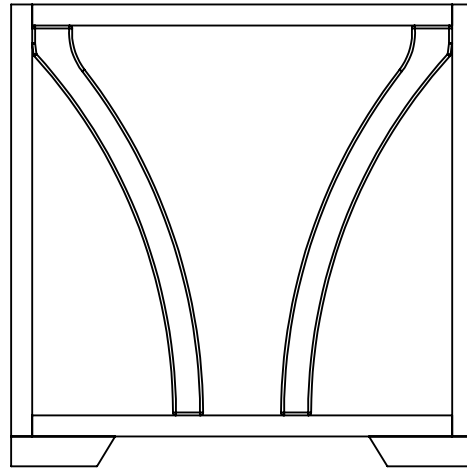
# ST. TROPEZ

BY C.R. PLASTIC PRODUCTS INC

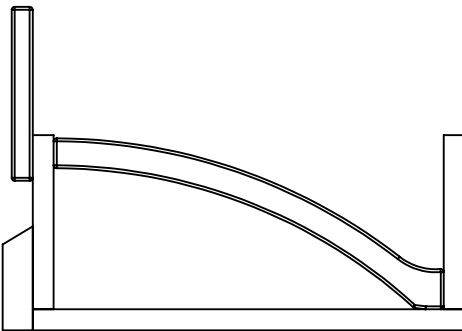
## T31



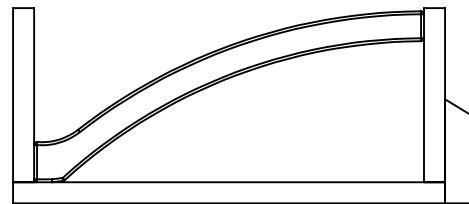
(A) X1



(B) X1



(C) X1



(D) X1



#2



1 1/2" SCREW

(E) X24



800.490.1283



crpproducts.com

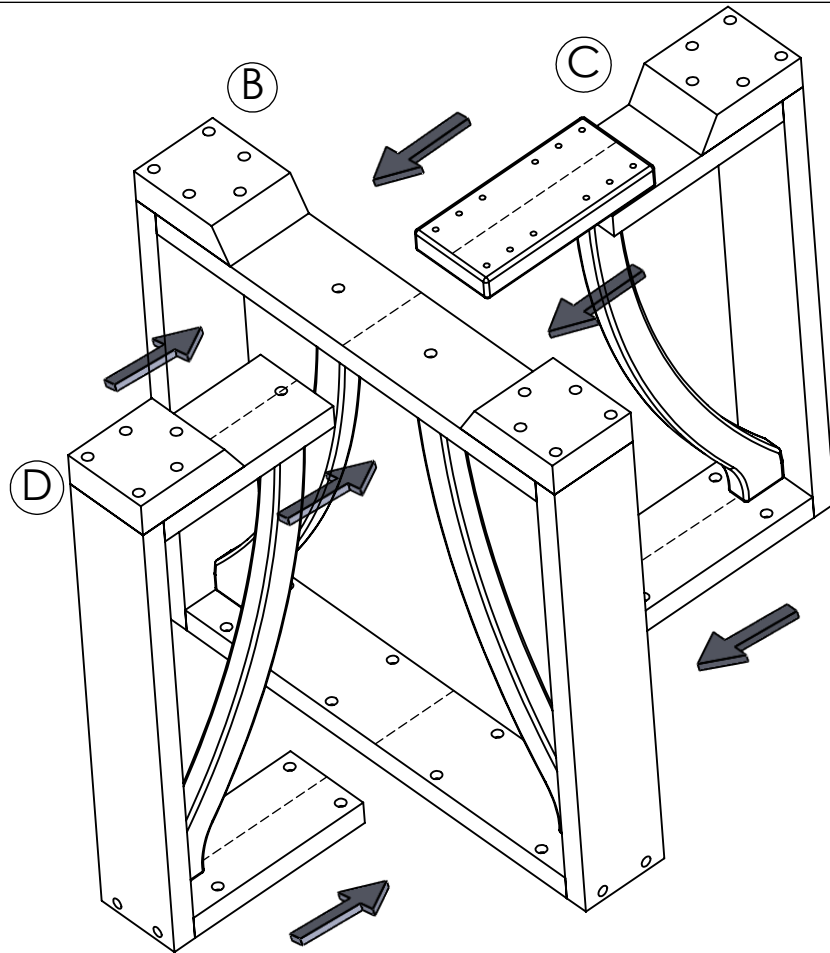
FAX 519.271.8544

# 1

(B) x1

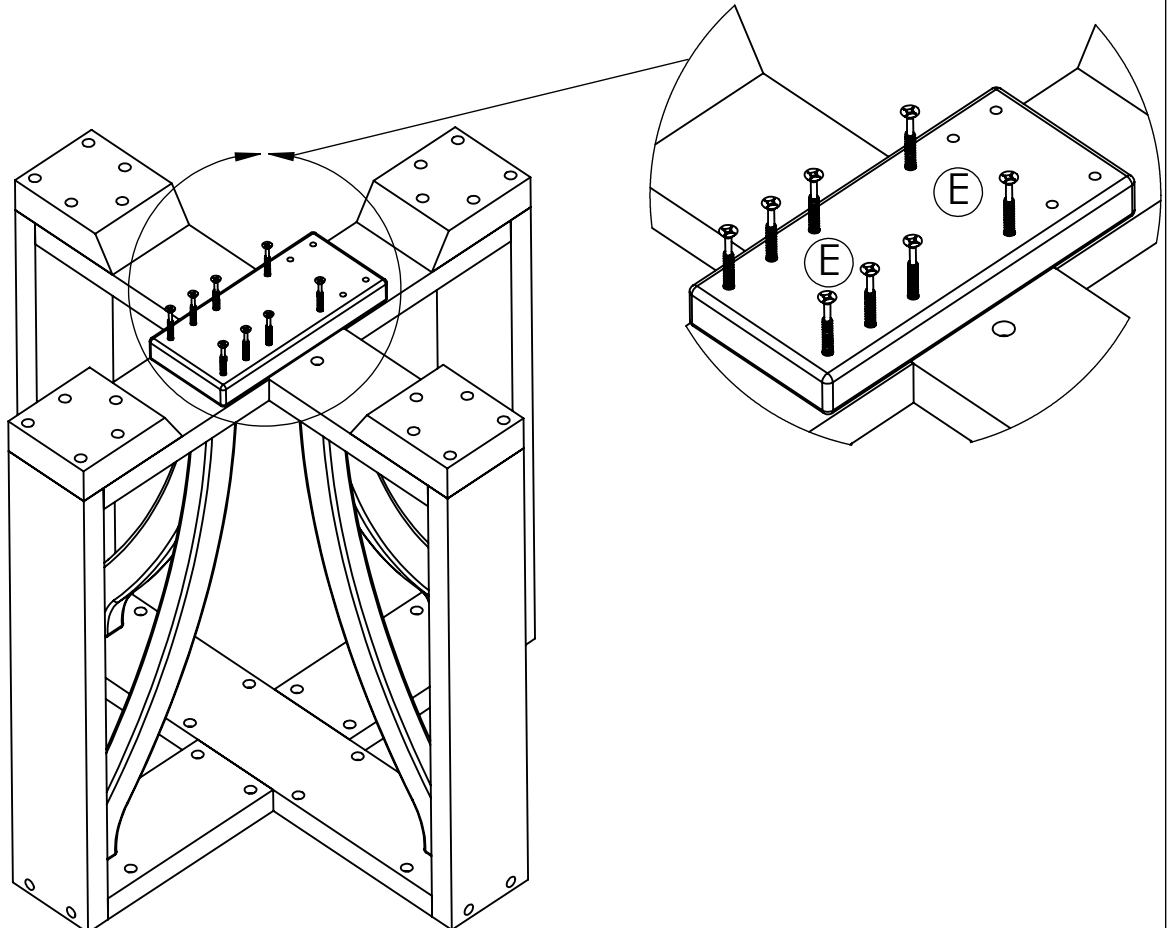
(C) x1

(D) x1

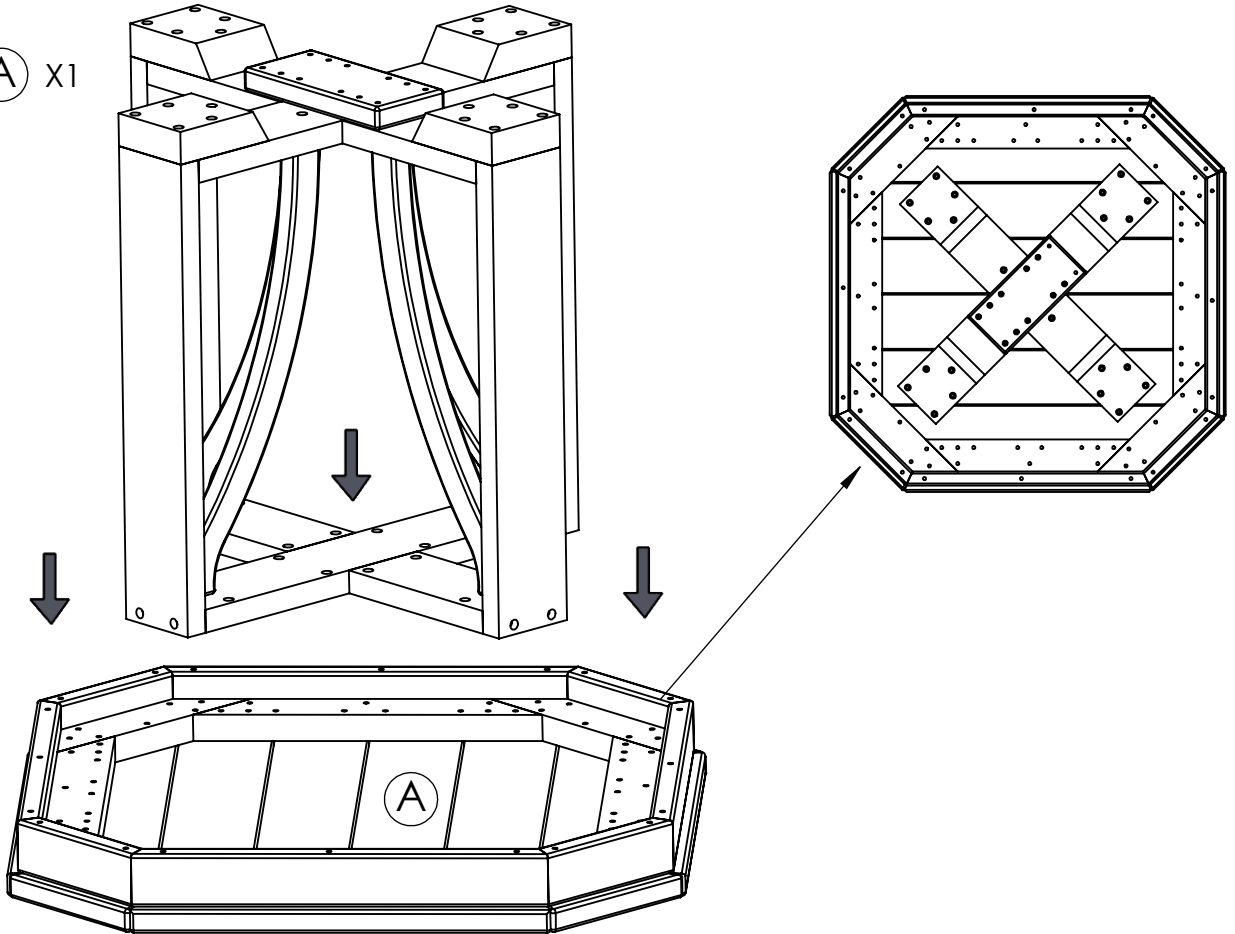


# 2

(E) x8



3 (A) x1



4 (E) x16

Make sure all the screw holes line up with the table top boards.

