



ST. TROPEZ

BY C.R. PLASTIC PRODUCTS INC



T35 St. Tropez Dining Table

C.R. Plastic Products Inc.
1 – 533 Romeo Street South
Stratford Ontario N5A 4V3
Toll Free: 800-490-1283
Fax: 519-271-8544
www.crpproducts.com

A. Table Top

Qty: 1



B. Leg

Qty: 4



C. Leg Support

Qty: 1



D. Leg Support Fill Panel

Qty: 1



PARTS LIST:

- A - Table Top
- B - Leg
- C - Leg Support
- D - Leg Support Fill Panel

HARDWARE LIST:

- 28 – 1½” Screws
- 4 – 2½” Screws

Note:

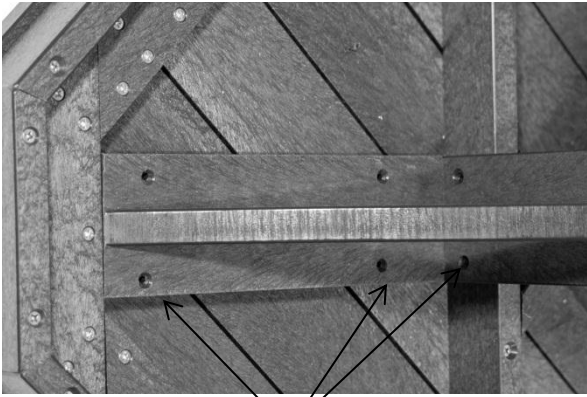
- Read these instructions carefully before assembling.
- Tools required: # 2 Phillips or #2 Robertson bit and power drill.
- Find a clean, smooth area on which to work, such as a carpet, in order to avoid scratching the plastic surfaces.
- Two people might be required for assembly.
- **Caution!! Do not over tighten screws.**

Step 1: Attach Leg (B) to Table Top (A) with 6 - 1½” screws.

Step 2: Repeat for remaining three legs.

Required	Qty
Table Top (A)	1
Leg (B)	4
1½” Screws	24

Figure 1



Step 1
Use 1½” Screws

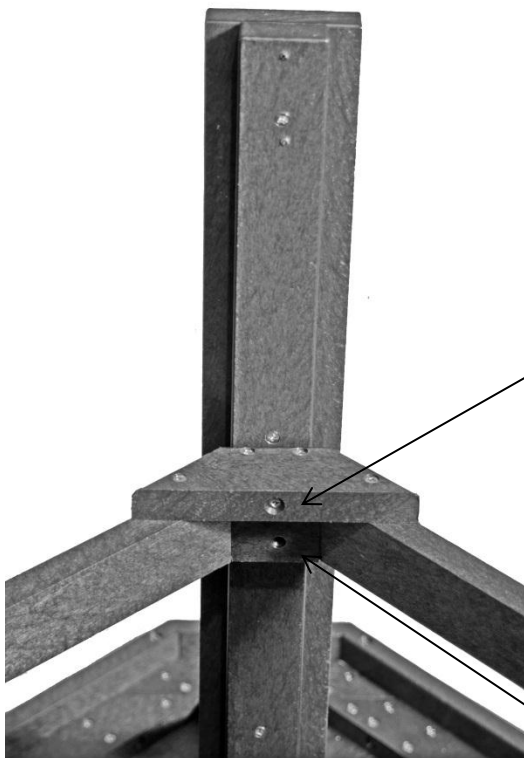
Step 3: Attach the Leg Support (C) to table legs with 4- 2½” screws using peck holes for alignment. Do not tighten.

Step 4: Install 4- 1½” screws as shown and then tighten previously installed 2½” screws

Step 5: Flip table over and insert Leg Support Fill Panel (D)

Required	Qty
Leg Support (C)	1
Leg Support Fill Panel (D)	1
1½” Screws	4
2½” Screws	4

Figure 2



Step 3
Use 2½” Screws

Step 4
Use 2½” Screws



Step 5