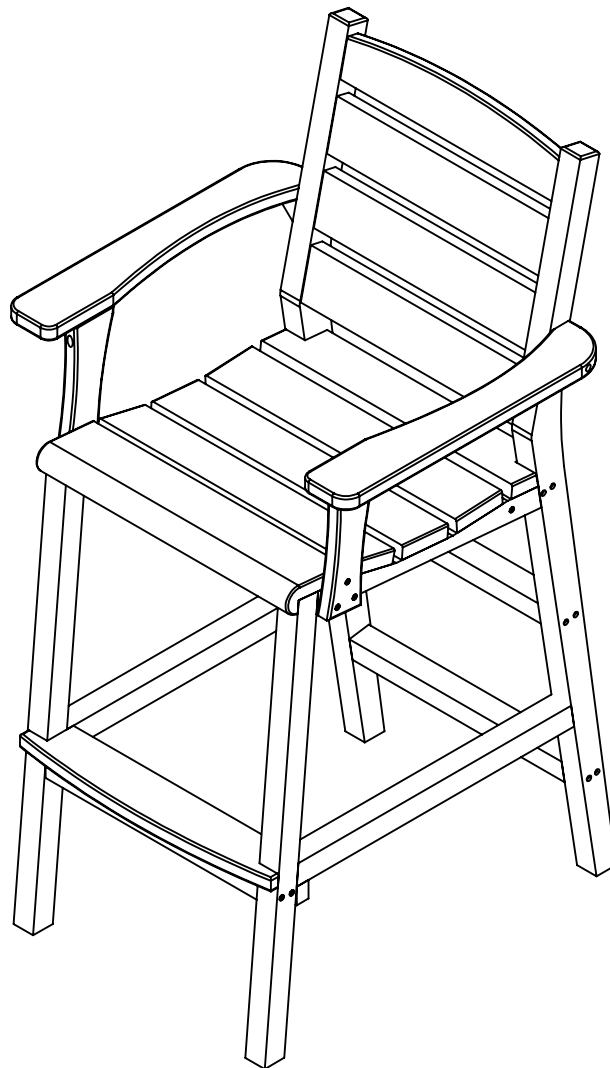


 **C.R. PLASTIC  
PRODUCTS** 

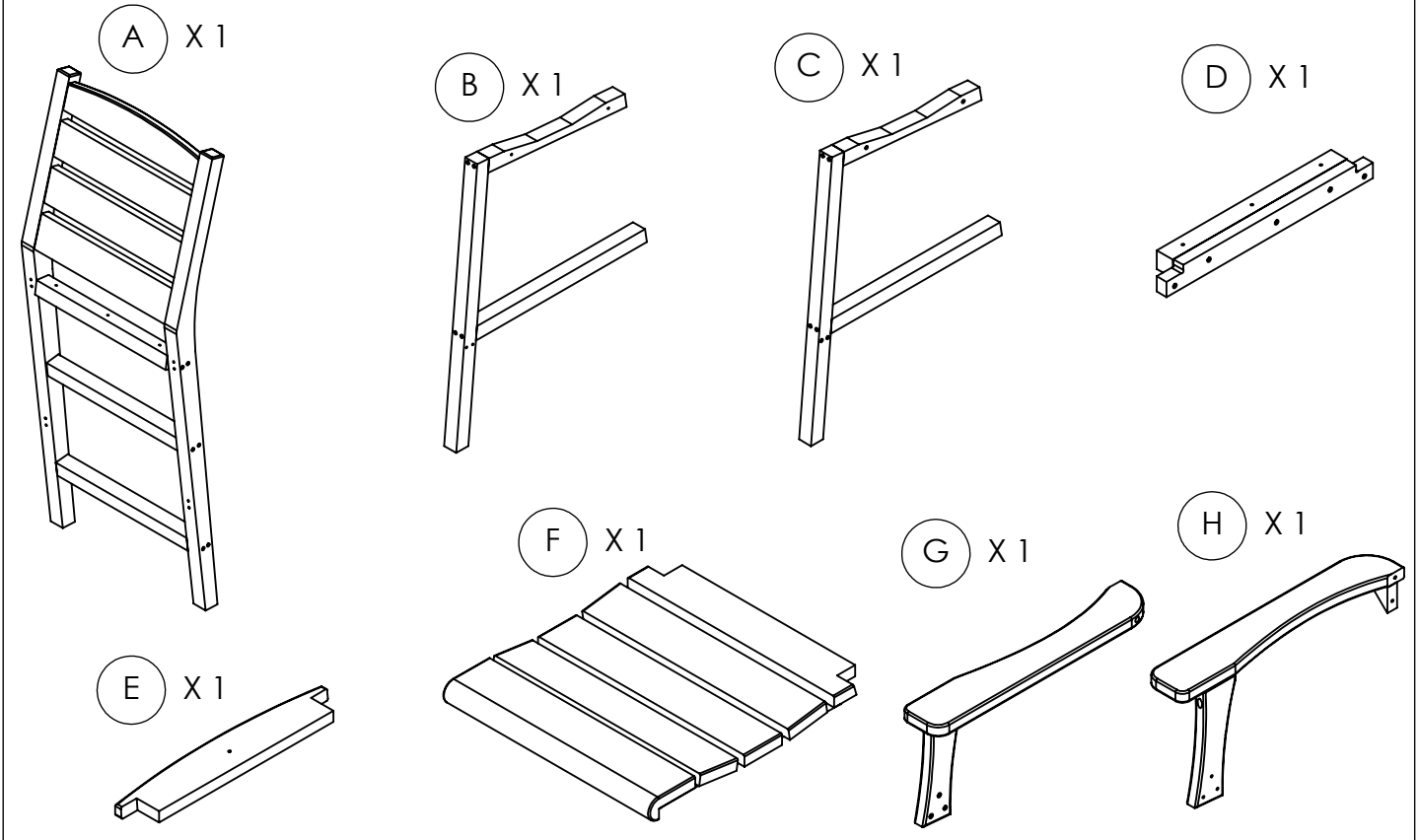
*we create* sustainable outdoor living

C313



# C.R. PLASTIC PRODUCTS

*we create* sustainable outdoor living



#2

J X 18 2.50" / 63.5 mm

K X 14 2.0" / 51 mm

L X 2 1.50" / 38 mm



SCREW SIZE SCALE 1:1



1-866-439-9521



wecare@crplastics.com



www.crpproducts.com

# 1

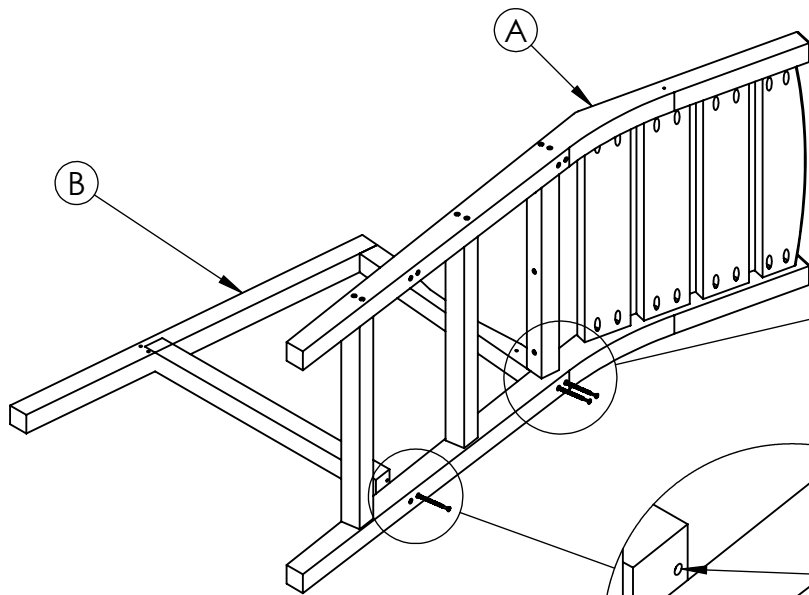
(A) x 1

(B) x 1

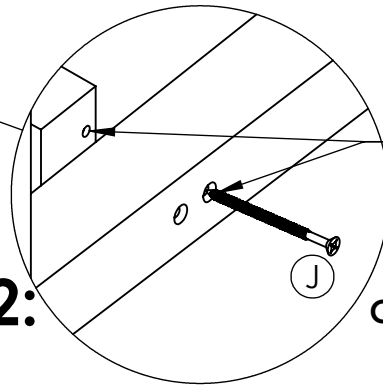
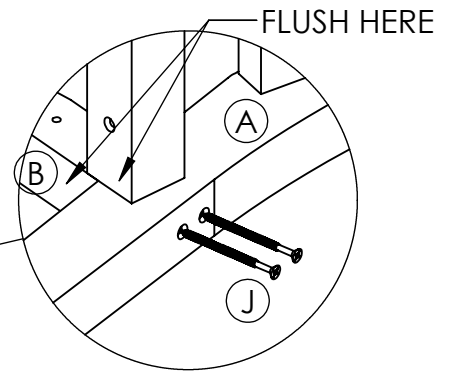
(J) x 4



**NOTE: MAKE SURE TO FLUSH FRAME TO BACK CENTER STRINGER AS SHOWN.**

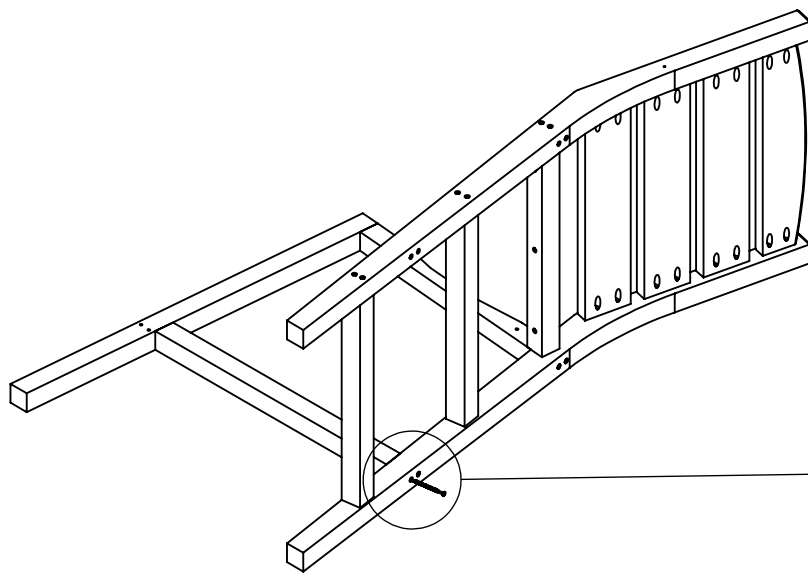


## STEP 1.1:

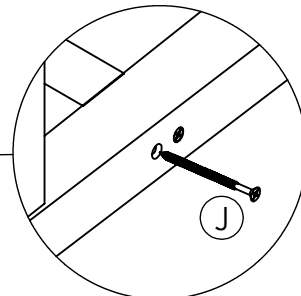


## STEP 1.2:

  
**MAKE SURE TO USE  
CORRECT COUNTERSINK**



## STEP 1.3:



# 2

ⓐ x 1

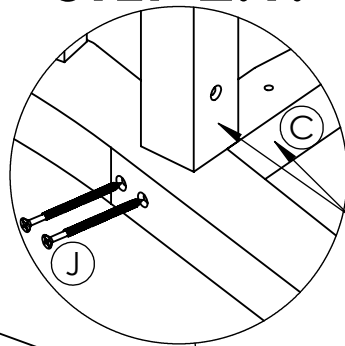
ⓓ x 1

ⓙ x 4

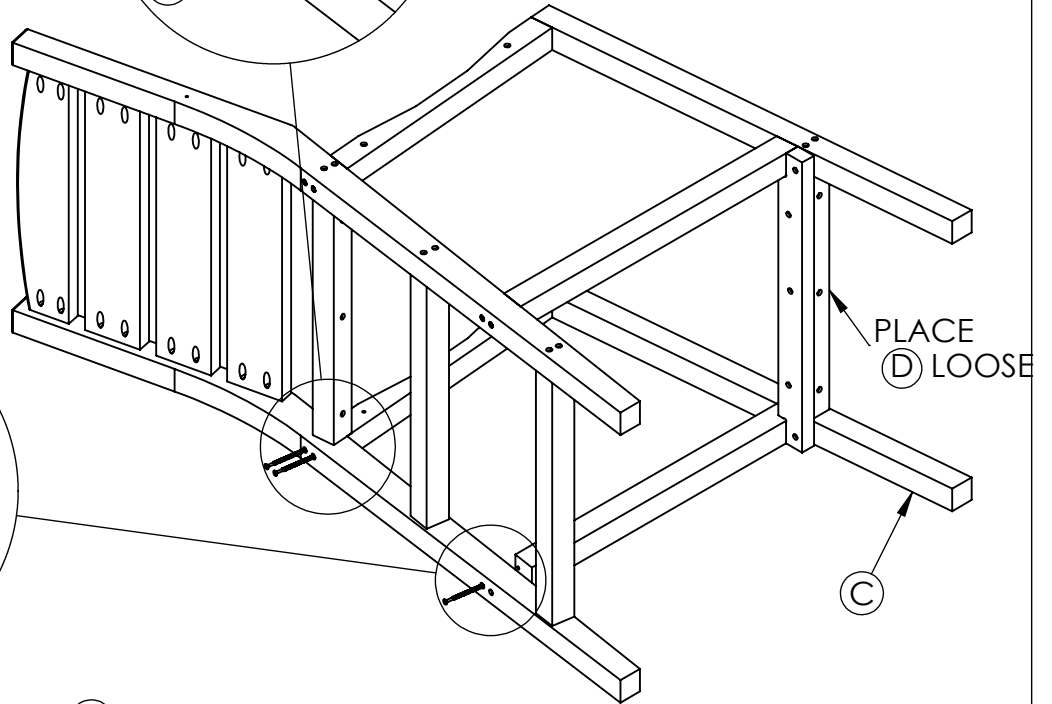
## STEP 2.1:



MAKE SURE TO FLUSH FRAME TO BACK CENTER STRINGER AS SHOWN.

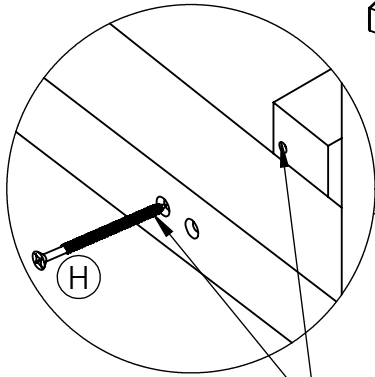


FLUSH HERE



PLACE ⓓ LOOSE

ⓐ



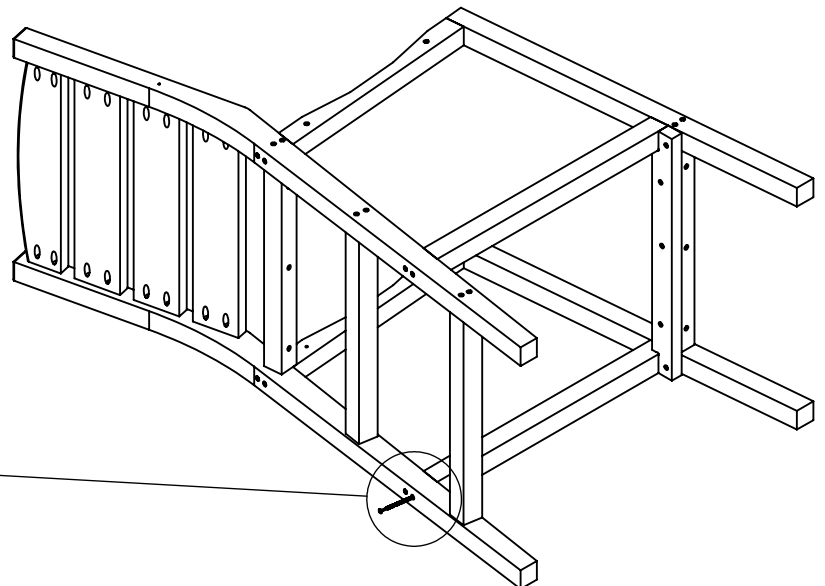
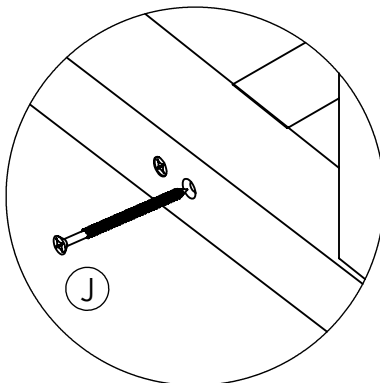
ALIGN ⓙ HERE

## STEP 2.2:



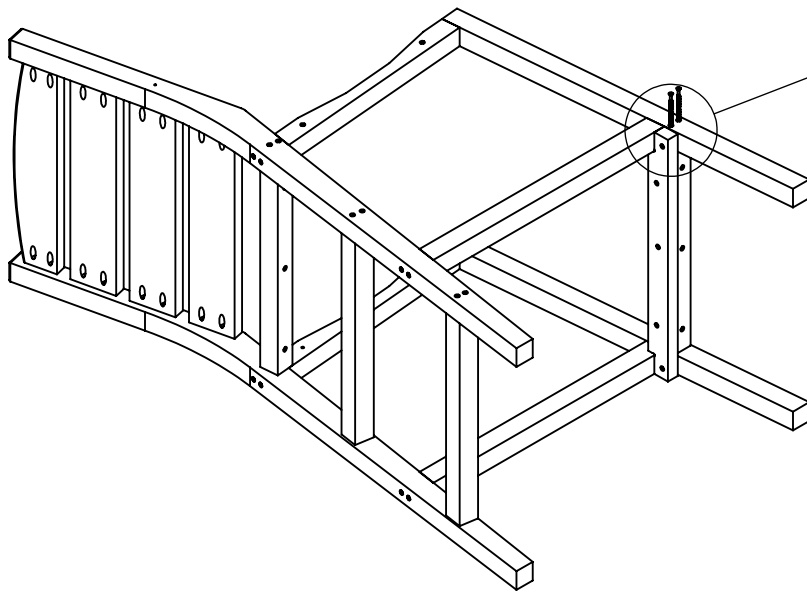
MAKE SURE TO USE CORRECT COUNTERSINK

## STEP 2.3:

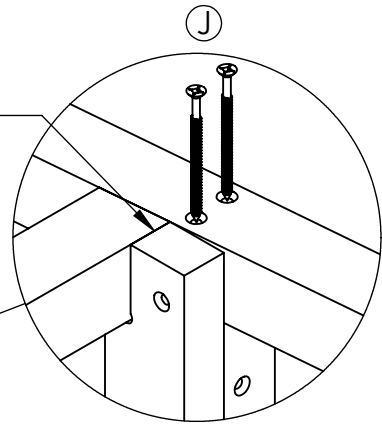


# 3

ⓐ x 2

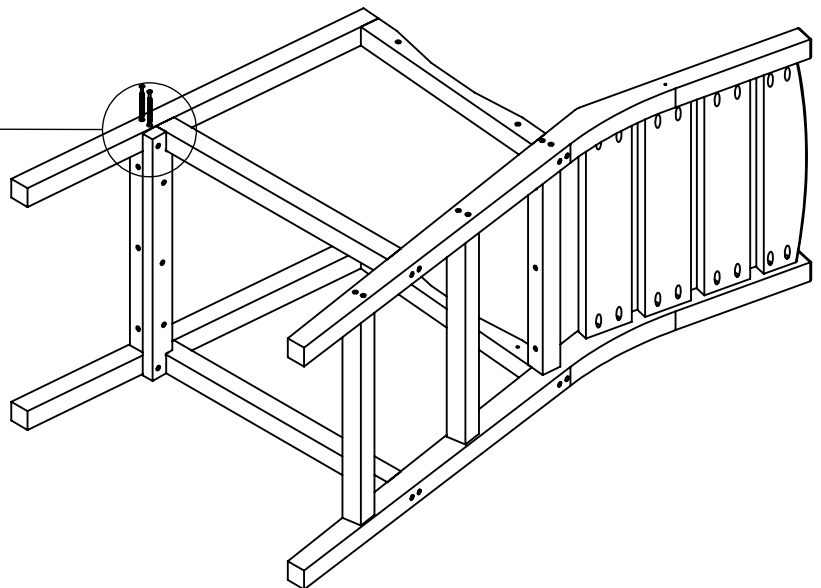
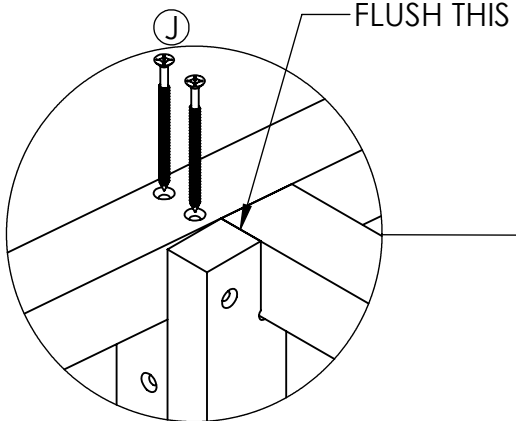


FLUSH THIS



# 4

ⓐ x 2



# 5

ⓔ x 1

Ⓚ x 3

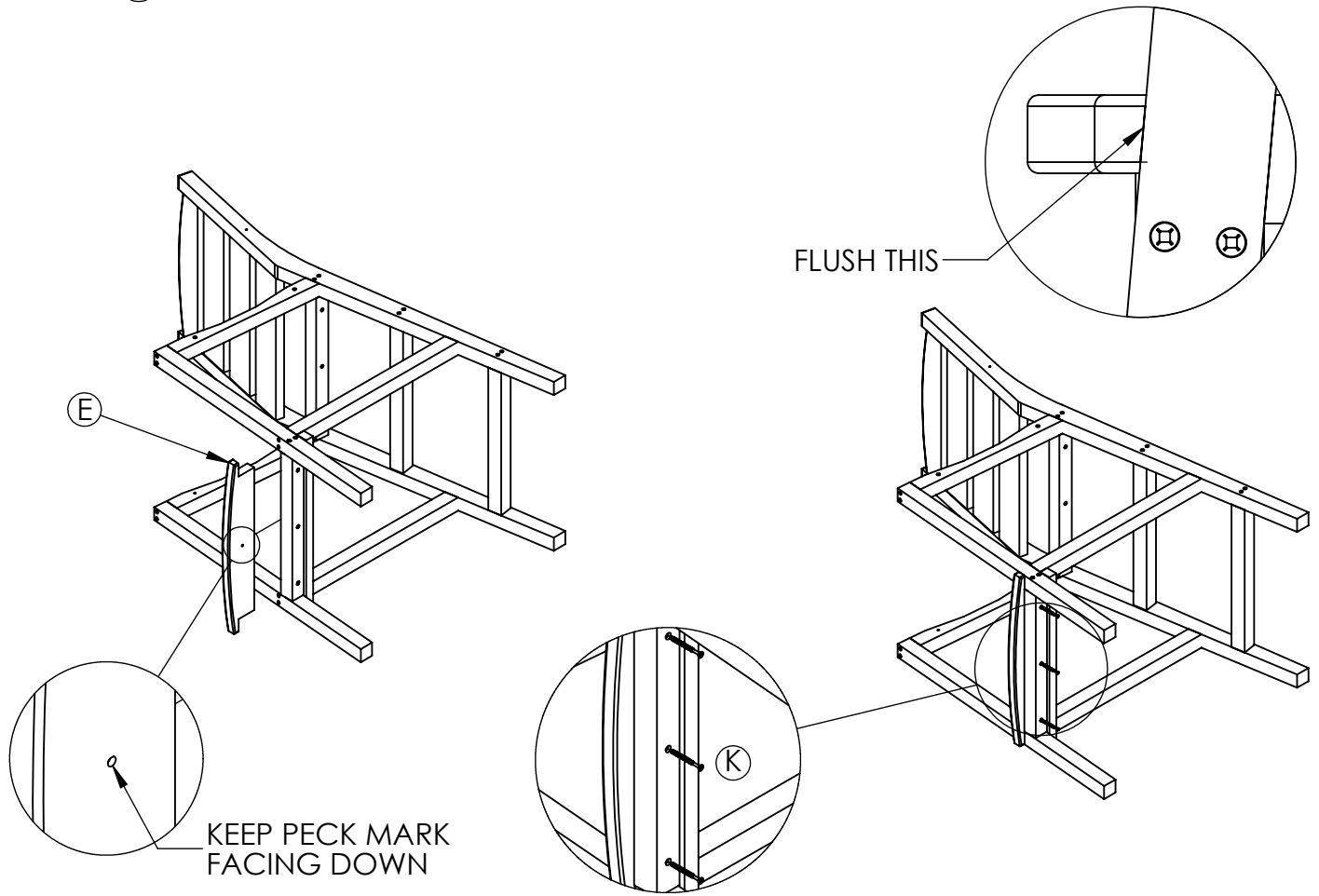


Ⓚ



**CHECK BEFORE USE**

SCREW SCALE 1:1



# 6

Ⓚ x 2

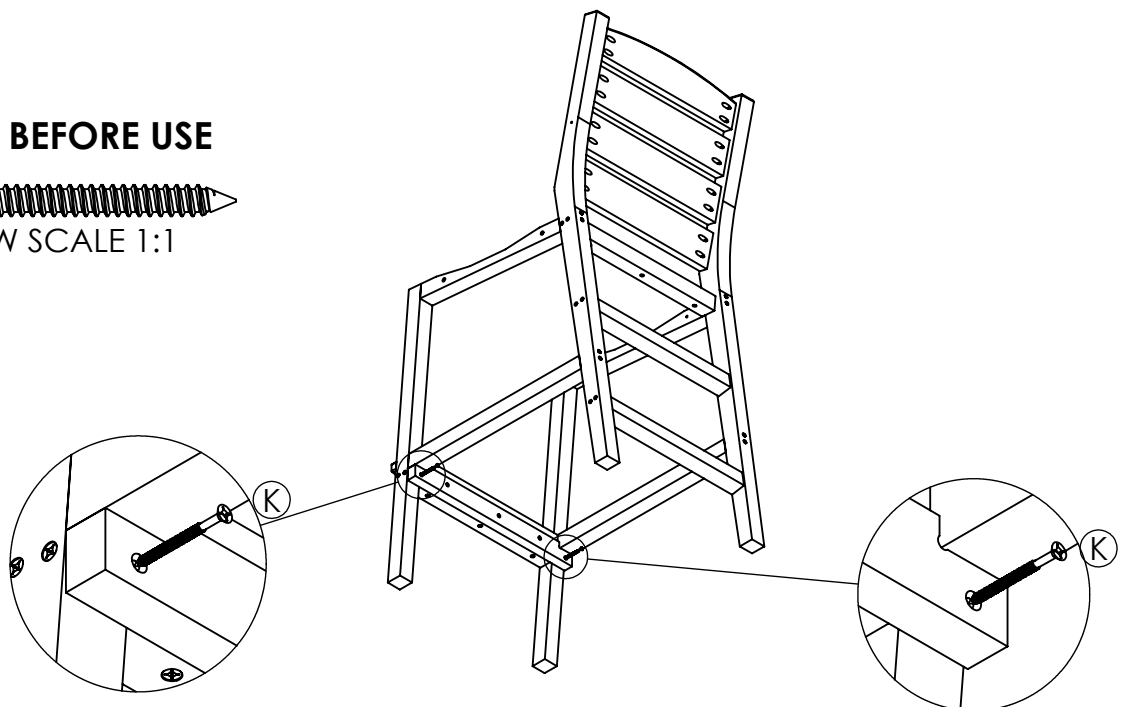


Ⓚ



**CHECK BEFORE USE**

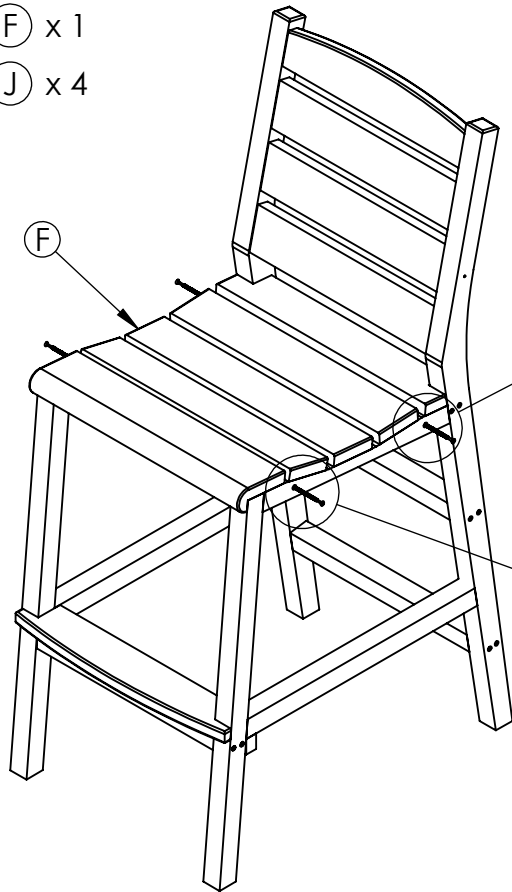
SCREW SCALE 1:1



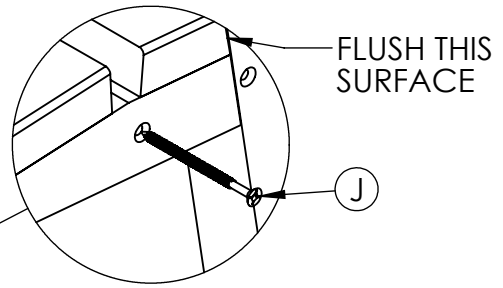
# 7

(F) x 1

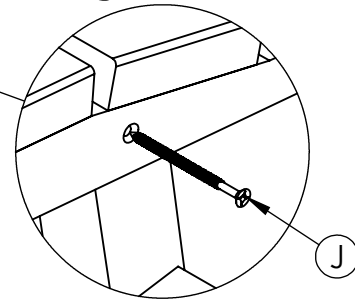
(J) x 4



**STEP 7.1:**  
PUSH (F) DOWN AND FASTEN (J)



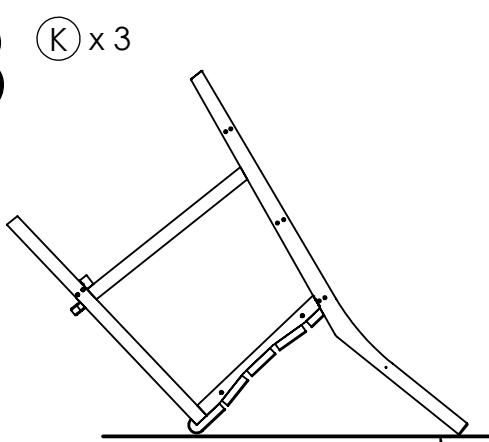
**STEP 7.2:**  
PUSH (F) DOWN AND FASTEN (J)



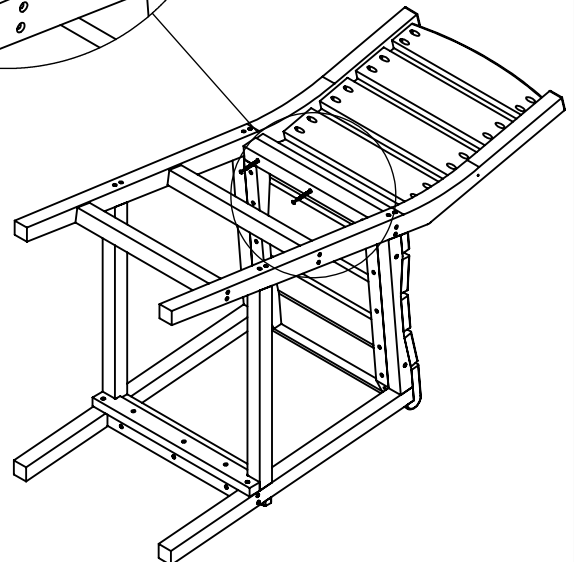
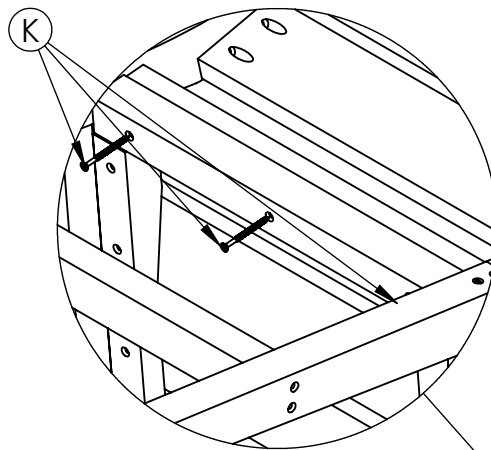
NOTE: REPEAT FOR OTHER SIDE.

# 8

(K) x 3



PLACE ON CLEAN/SMOOTH SURFACE TO AVOID SCRATCH



**CHECK BEFORE USE**



SCREW SCALE 1:1

# 9

ⓐ X 1

ⓑ X 1

Ⓙ X 2

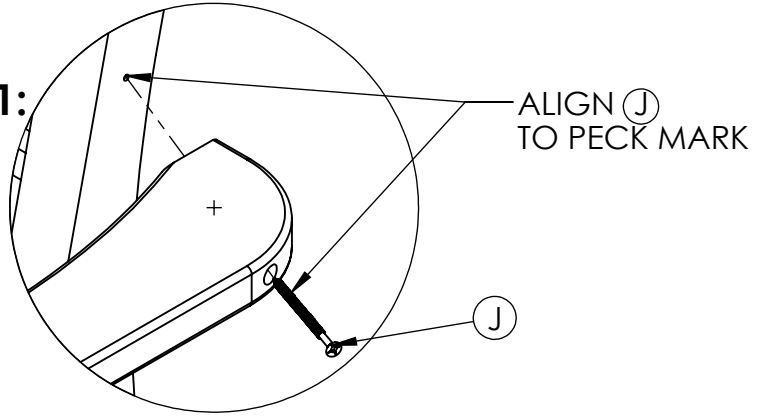
Ⓚ X 6

Ⓛ X 2

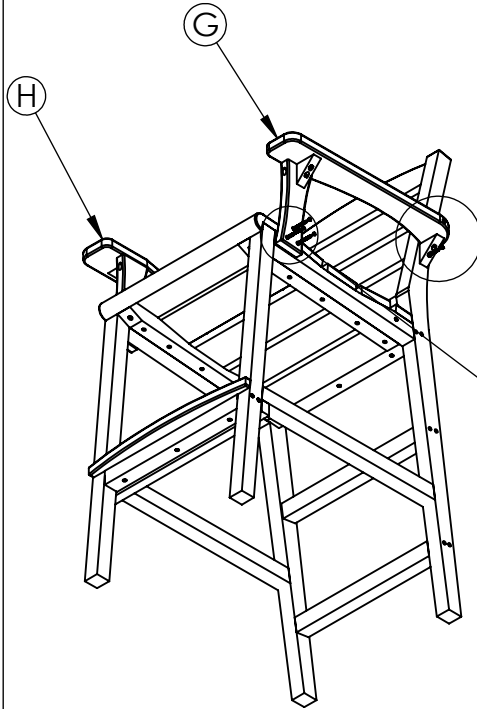


**CHECK THE SCREW SCALE 1:1 BEFORE USE**

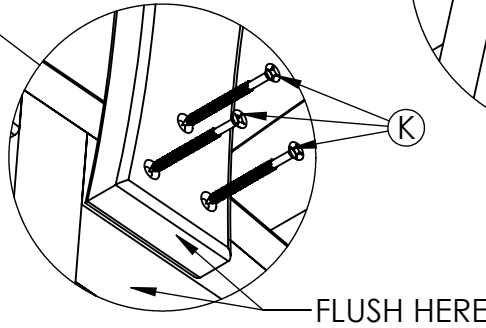
**STEP 9.1:**



ALIGN ⓐ  
TO PECK MARK

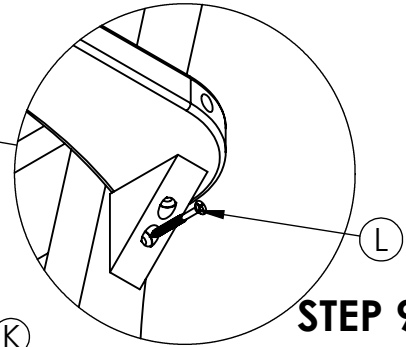


**STEP 9.2:**



FLUSH HERE

**STEP 9.3:**



**NOTE: REPEAT SAME STEPS FOR OTHER SIDE OF ARM.**

