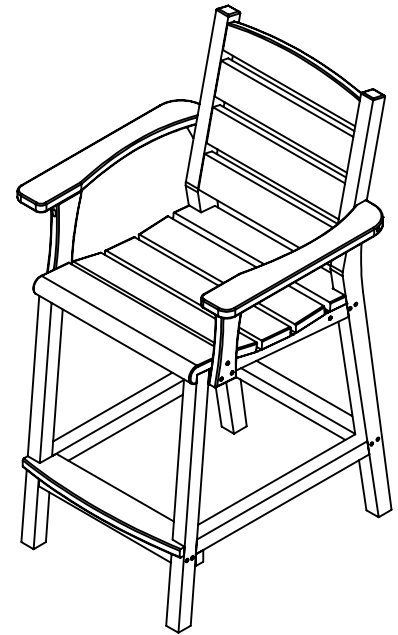




we create sustainable outdoor living

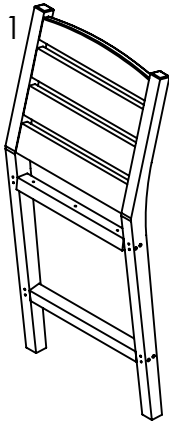
C313C

NAPA COUNTER ARM CHAIR

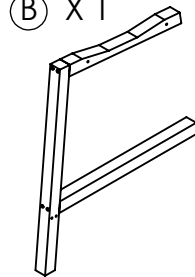


BOX INCLUDES:

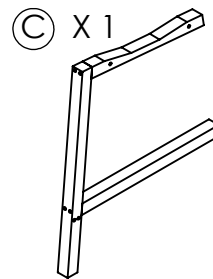
Ⓐ X 1



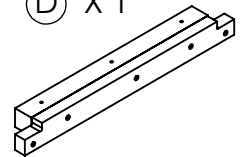
Ⓑ X 1



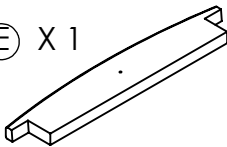
Ⓒ X 1



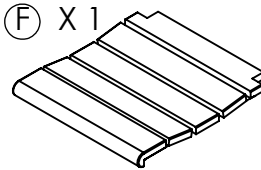
Ⓓ X 1



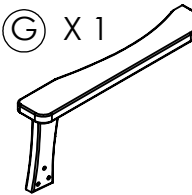
Ⓔ X 1



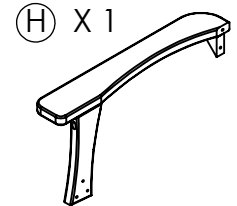
Ⓕ X 1



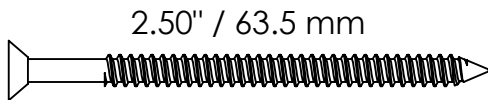
Ⓖ X 1



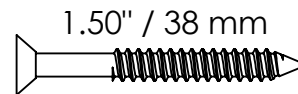
Ⓗ X 1



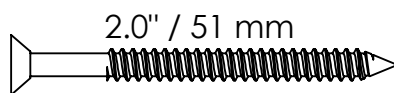
Ⓙ X 18



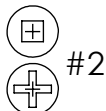
Ⓛ X 2



Ⓚ X 14



FASTENER SCALE TO 1:1



www.crpproducts.com

1

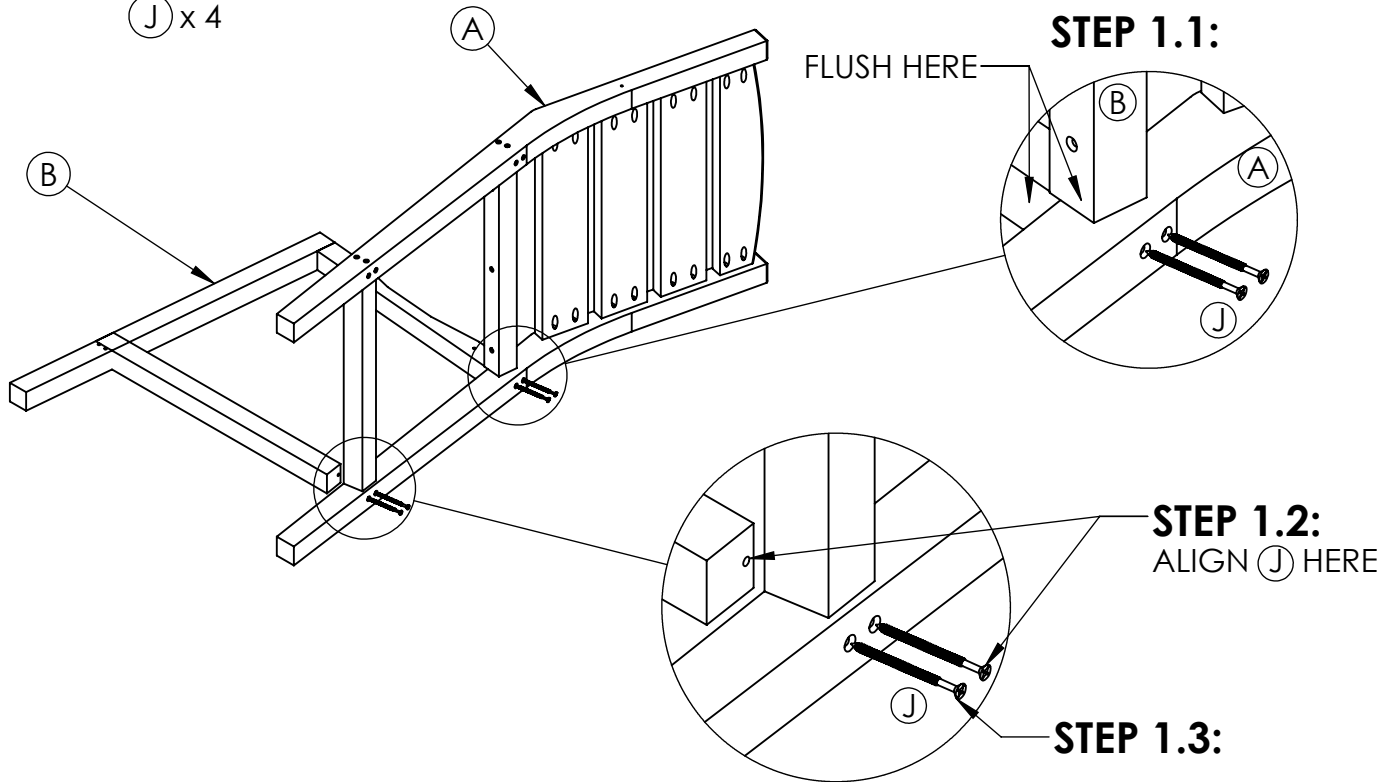
(A) x 1

(B) x 1

(J) x 4



NOTE: MAKE SURE TO FLUSH FRAME TO BACK CENTER STRINGER AS SHOWN.



2

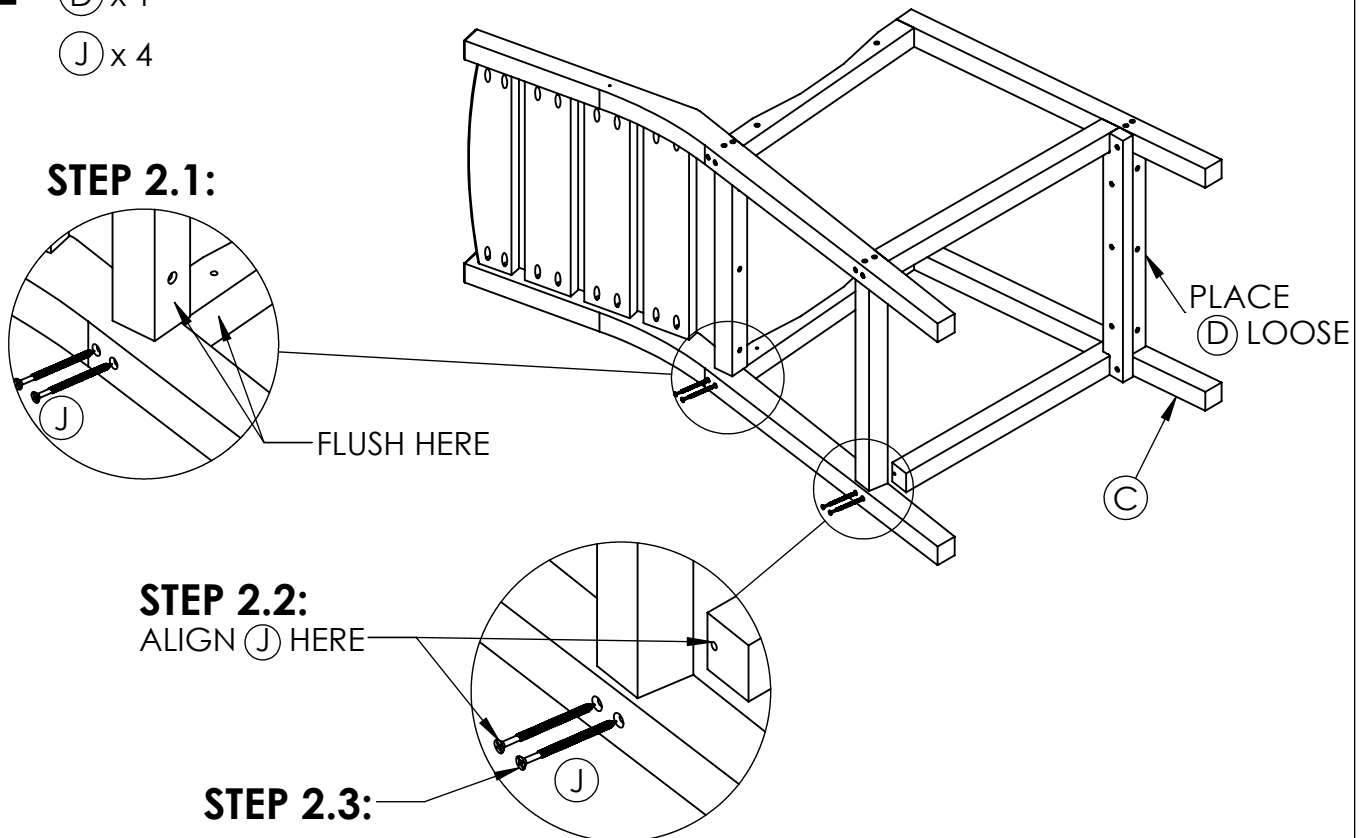
(C) x 1

(D) x 1

(J) x 4

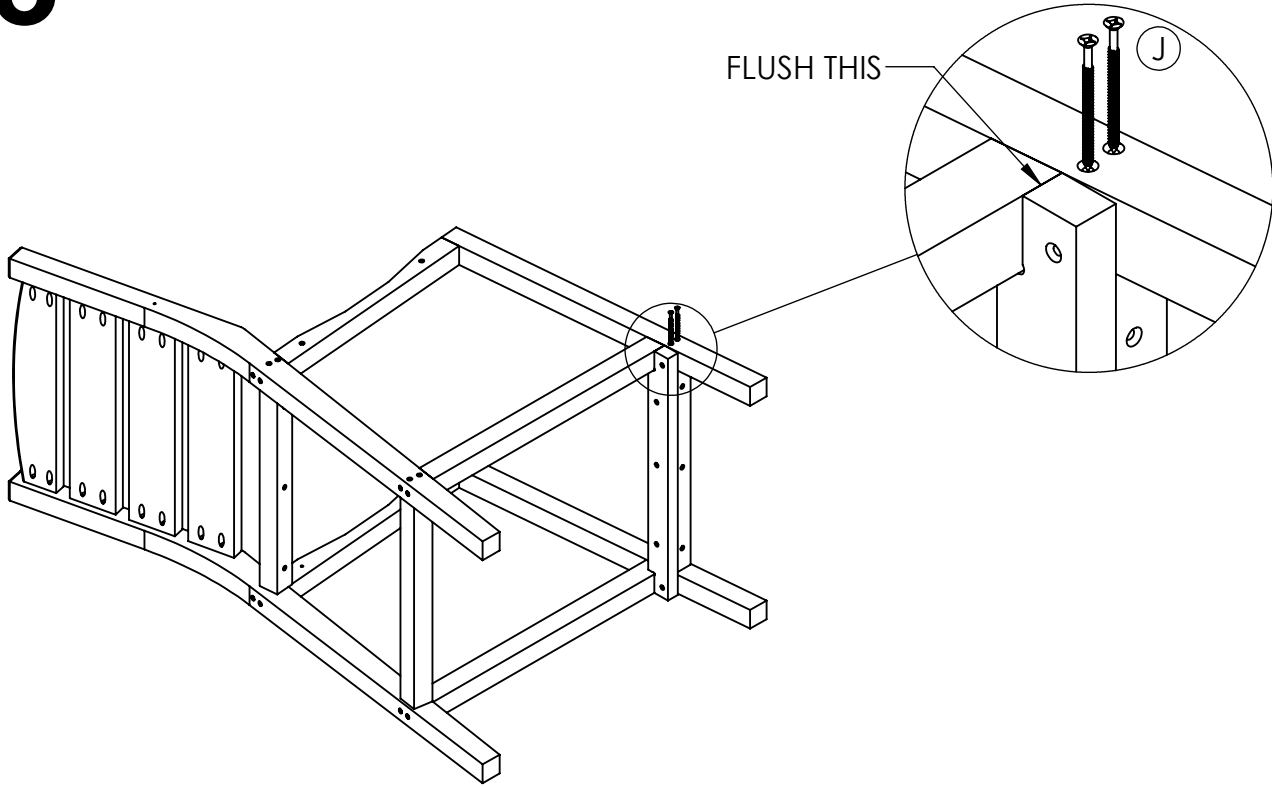


NOTE: MAKE SURE TO FLUSH FRAME TO BACK CENTER STRINGER AS SHOWN.



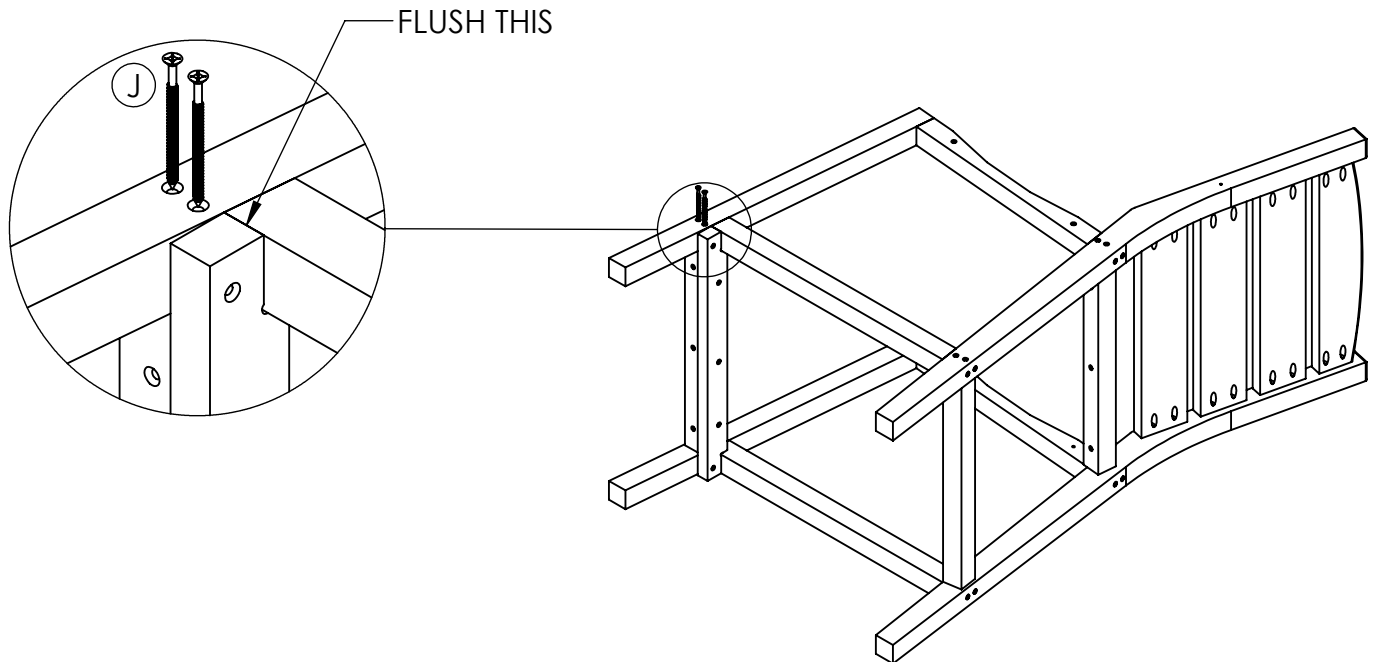
3

ⓐ x 2



4

ⓐ x 2



5

(E) x 1
(K) x 3



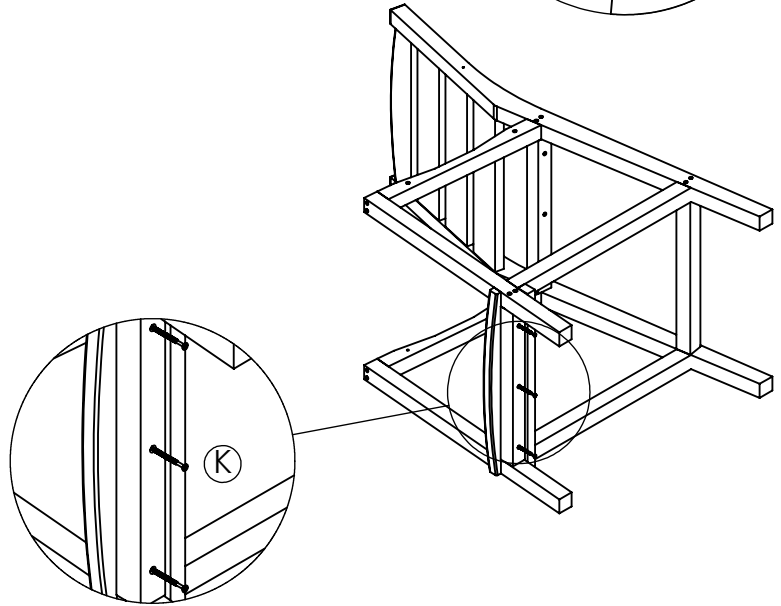
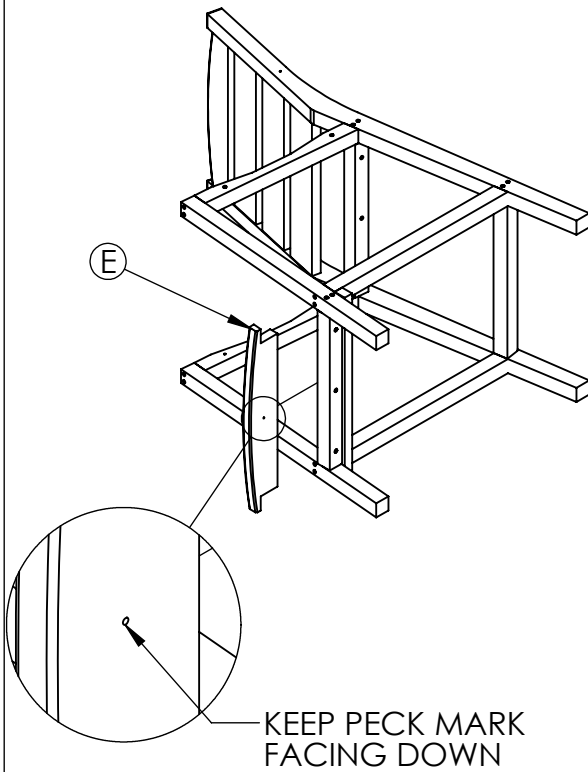
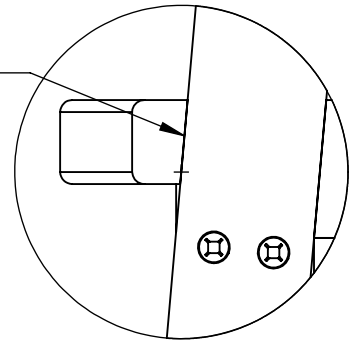
(K)



CHECK BEFORE USE

SCREW SCALE 1:1

FLUSH THIS

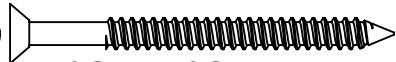


6

(K) x 2

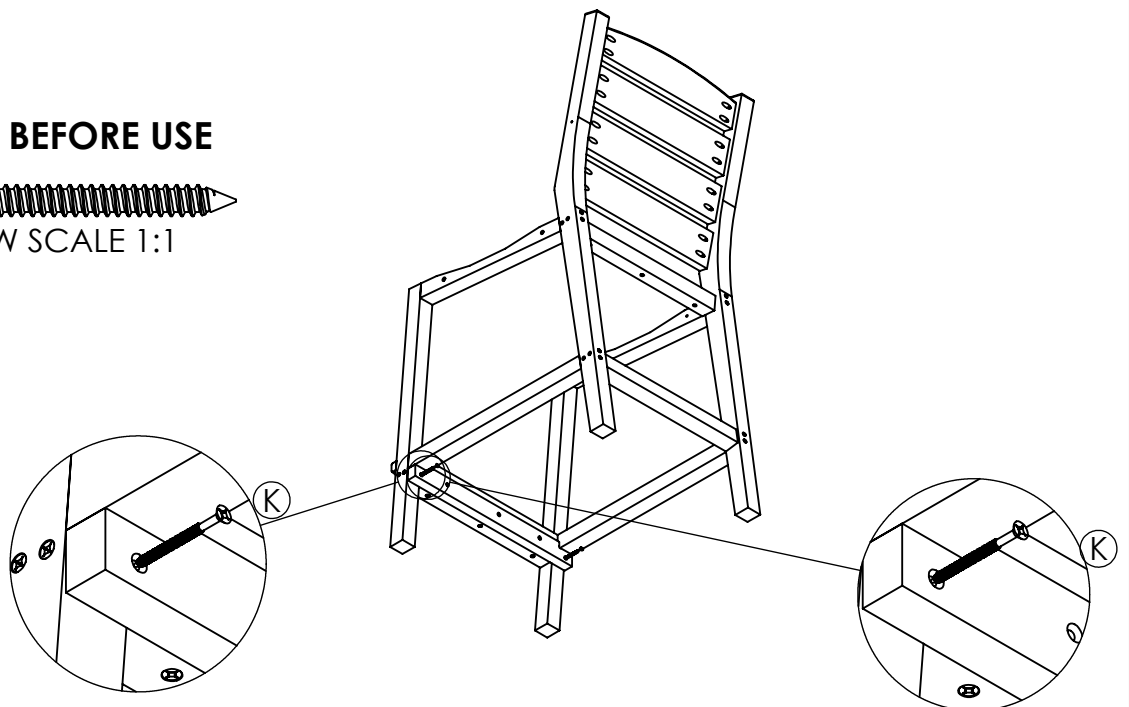


(K)



CHECK BEFORE USE

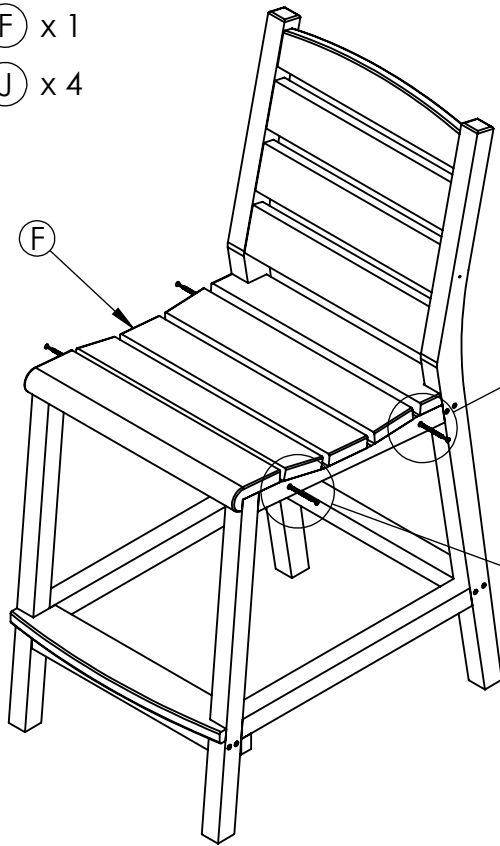
SCREW SCALE 1:1



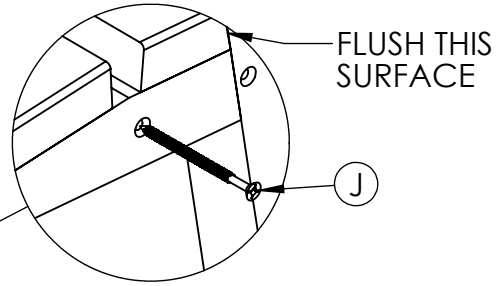
7

(F) x 1

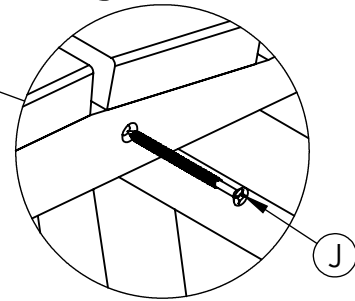
(J) x 4



STEP 7.1:
PUSH (F) DOWN AND FASTEN (J)



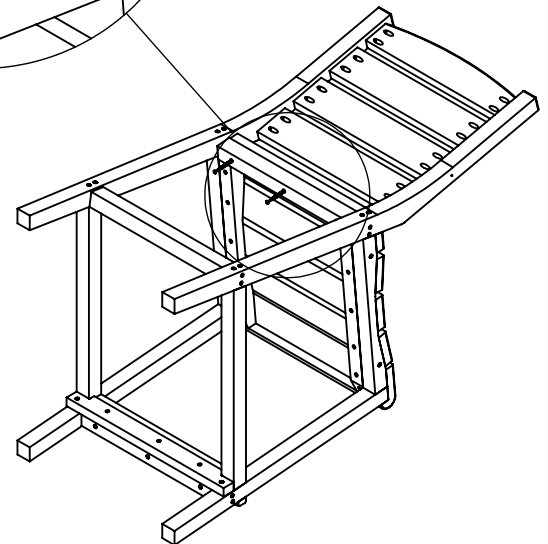
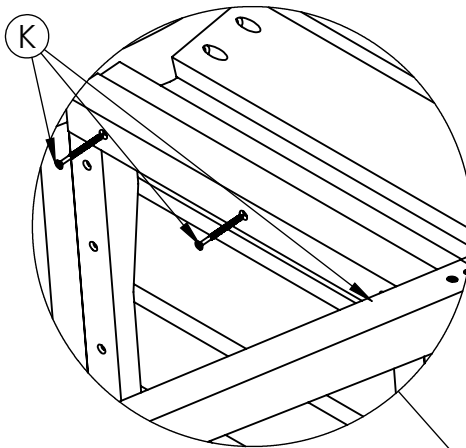
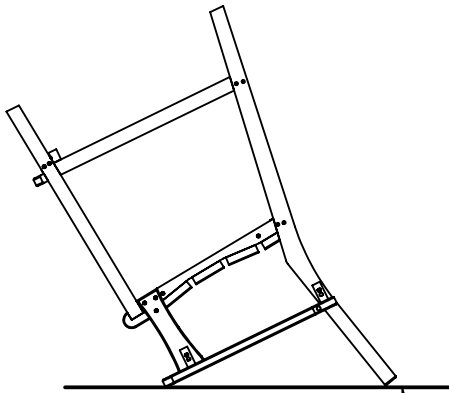
STEP 7.2:
PUSH (F) DOWN AND FASTEN (J)



NOTE: REPEAT FOR OTHER SIDE.

8

(K) x 3



PLACE ON CLEAN/SMOOTH SURFACE TO AVOID SCRATCH

CHECK BEFORE USE



SCREW SCALE 1:1

9

Ⓒ X 1

Ⓓ X 1

Ⓙ X 2

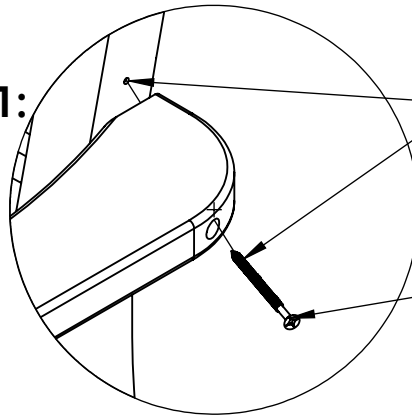
Ⓚ X 6

Ⓛ X 2



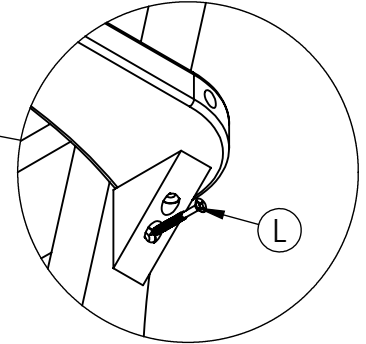
CHECK THE SCREW SCALE 1:1 BEFORE USE

STEP 9.1:

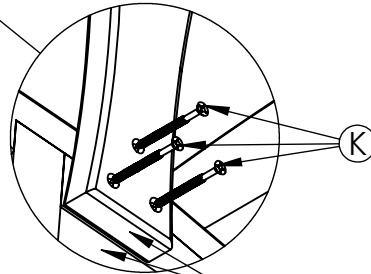


ALIGN Ⓜ TO PECK MARK

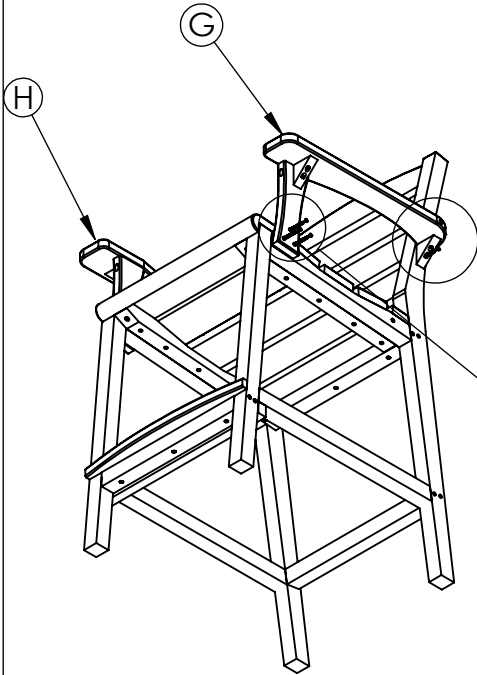
STEP 9.3:



STEP 9.2:



FLUSH HERE



NOTE: REPEAT SAME STEPS FOR OTHER SIDE OF ARM.

