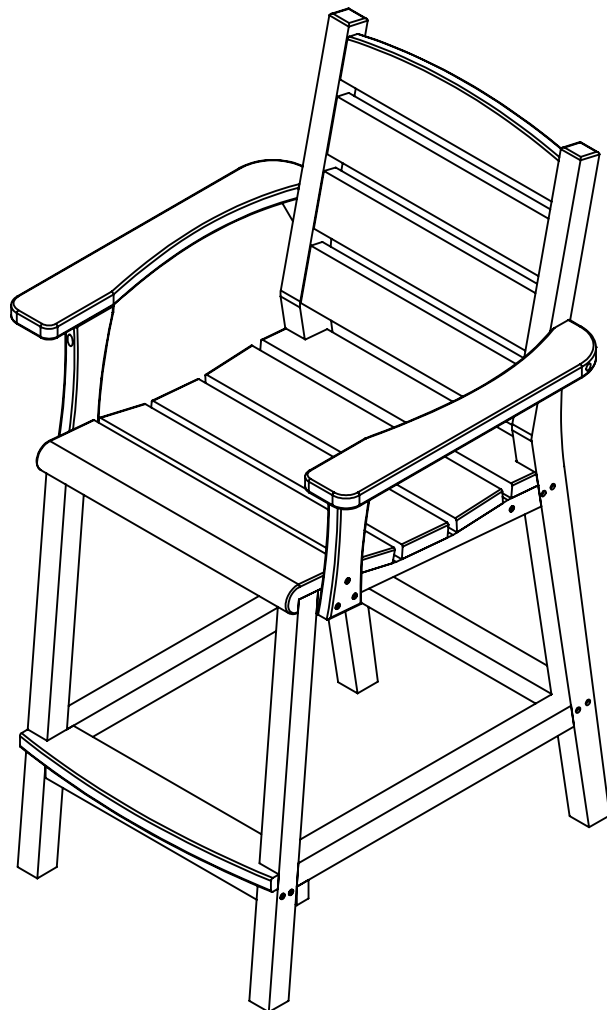


 **C.R. PLASTIC  
PRODUCTS** 

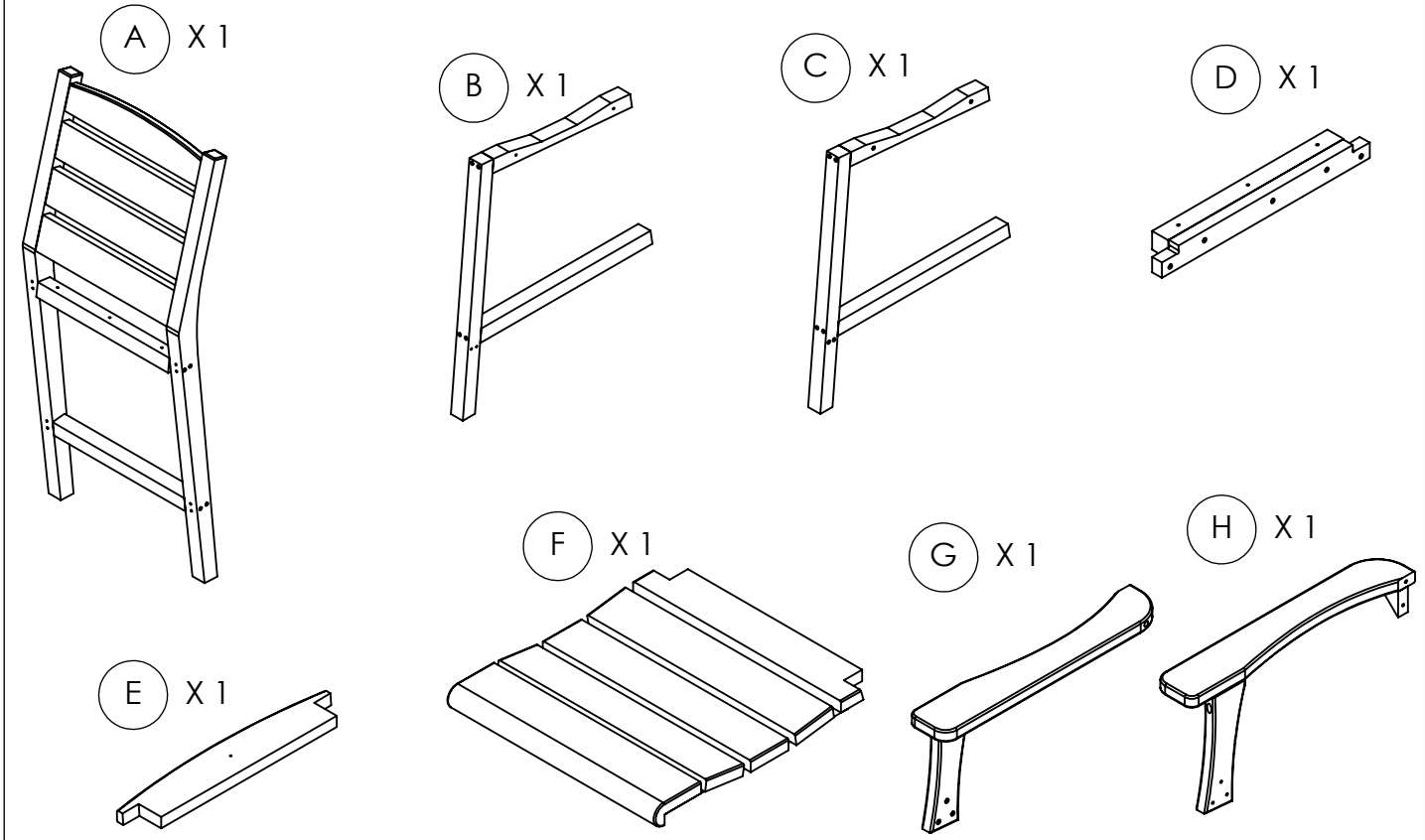
*we create* sustainable outdoor living

C313C



# C.R. PLASTIC PRODUCTS

*we create* sustainable outdoor living



#2

J X 18 2.50" / 63.5 mm

K X 14 2.0" / 51 mm

L X 2 1.50" / 38 mm



SCREW SIZE SCALE 1:1



1-866-439-9521



wecare@crplastics.com



www.crpproducts.com

# 1

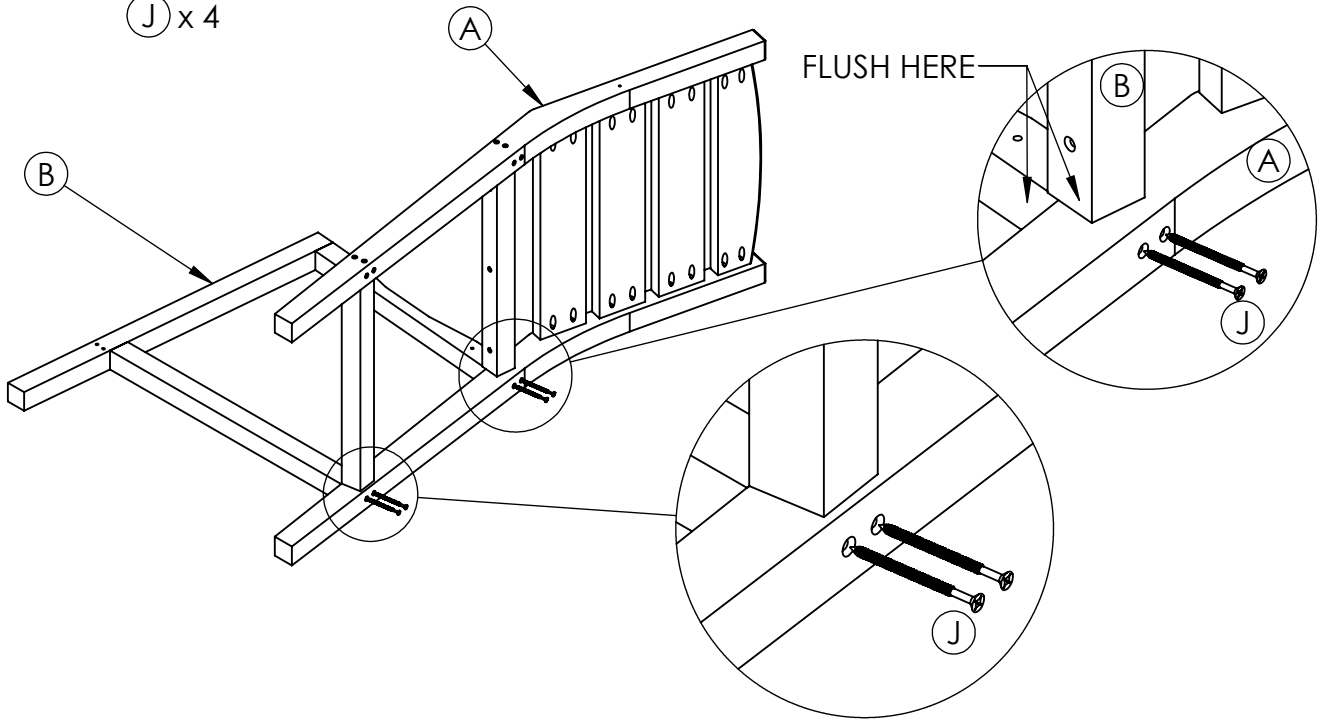
(A) x 1

(B) x 1

(J) x 4



**NOTE: MAKE SURE TO FLUSH FRAME TO BACK CENTER STRINGER AS SHOWN.**



# 2

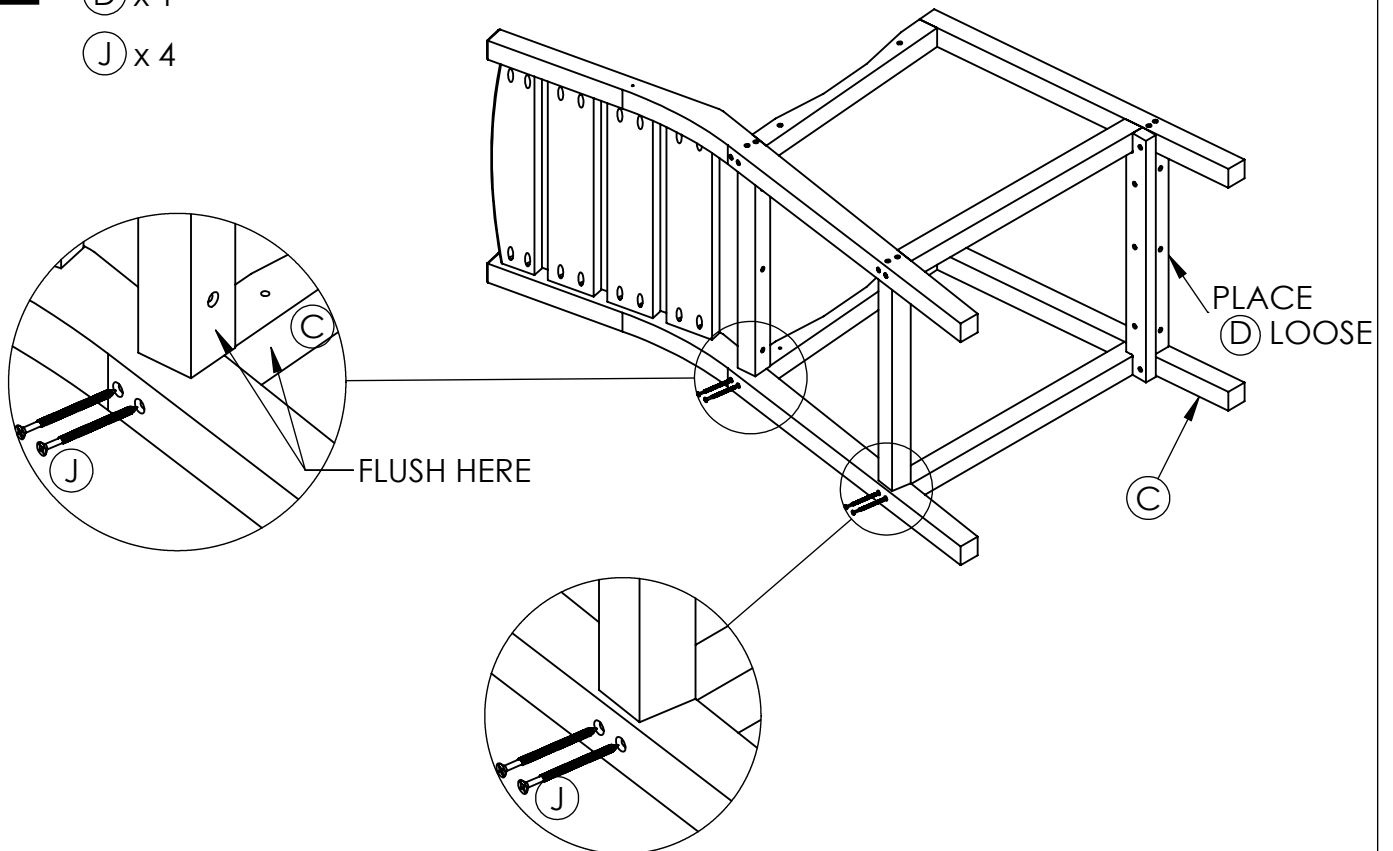
(C) x 1

(D) x 1

(J) x 4

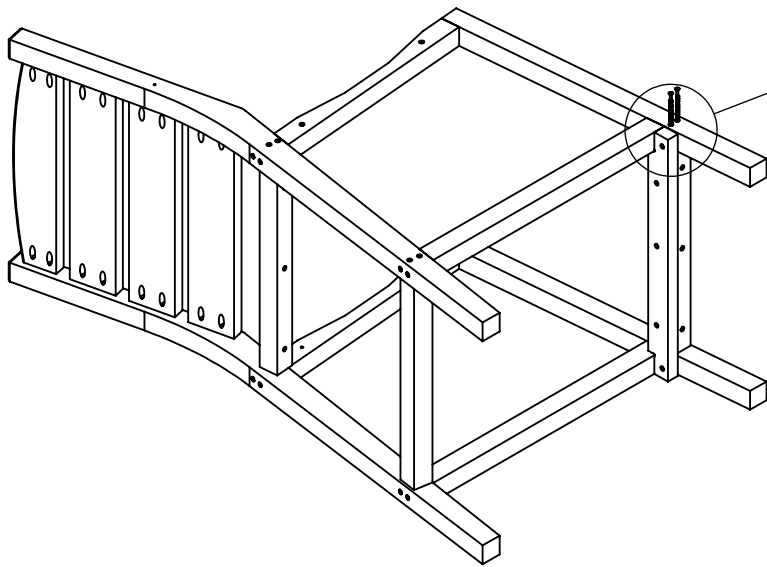


**NOTE: MAKE SURE TO FLUSH FRAME TO BACK CENTER STRINGER AS SHOWN.**

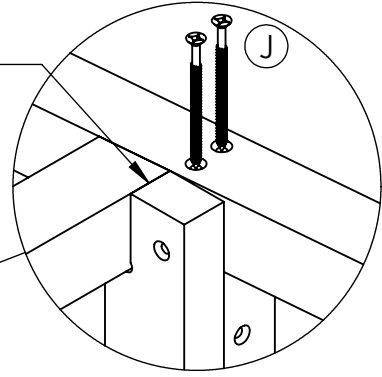


# 3

ⓐ x 2

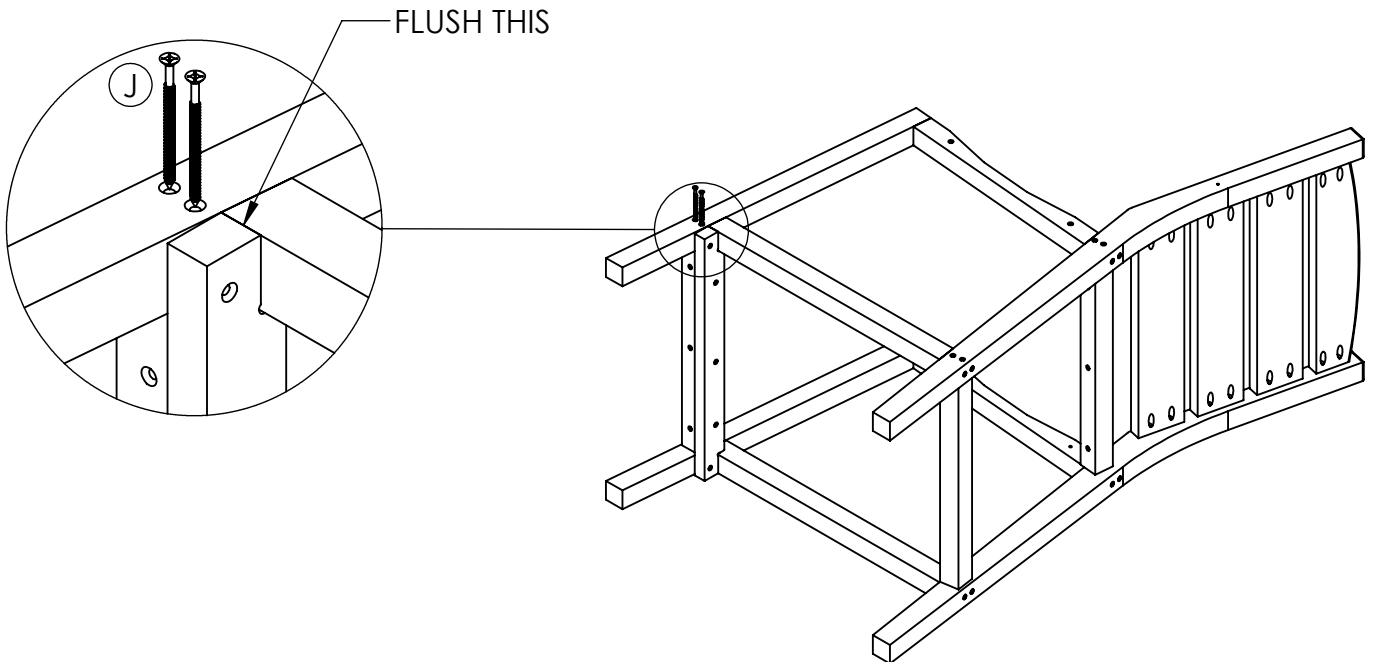


FLUSH THIS



# 4

ⓐ x 2



FLUSH THIS

# 5

(E) x 1  
(K) x 3



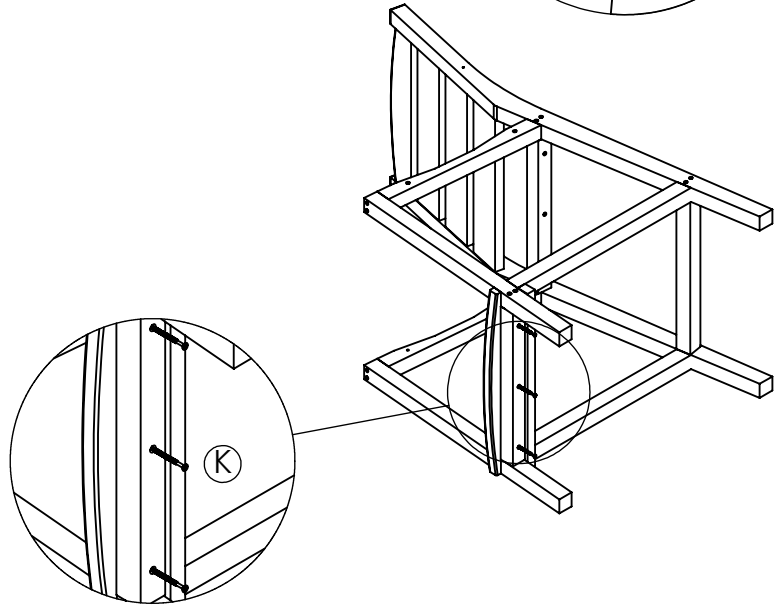
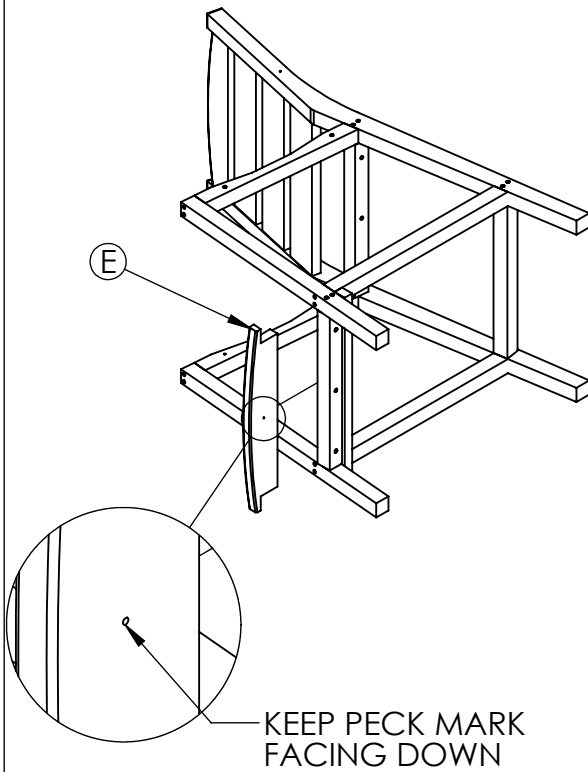
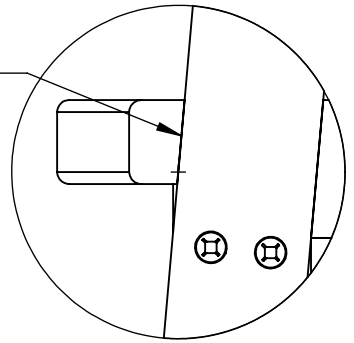
(K)



**CHECK BEFORE USE**

SCREW SCALE 1:1

FLUSH THIS



# 6

(K) x 2

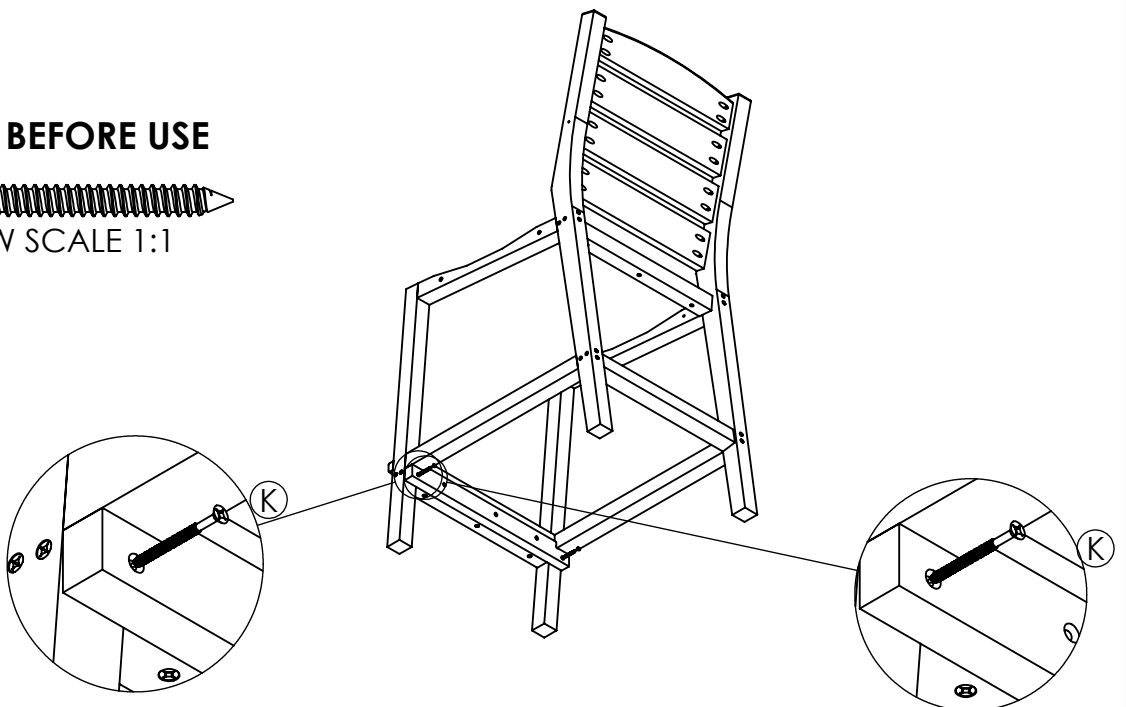


(K)



**CHECK BEFORE USE**

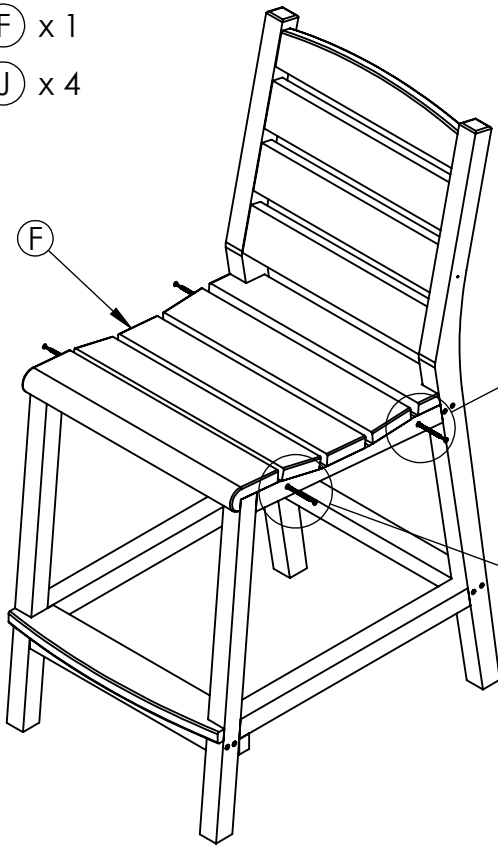
SCREW SCALE 1:1



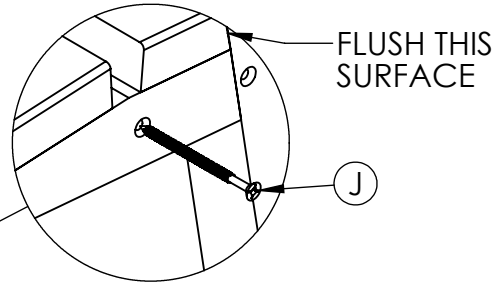
# 7

(F) x 1

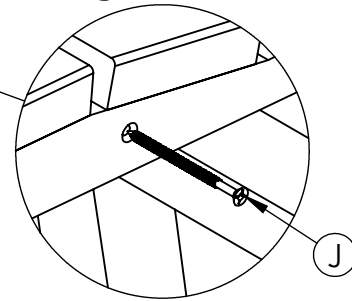
(J) x 4



**STEP 7.1:**  
PUSH (F) DOWN AND FASTEN (J)



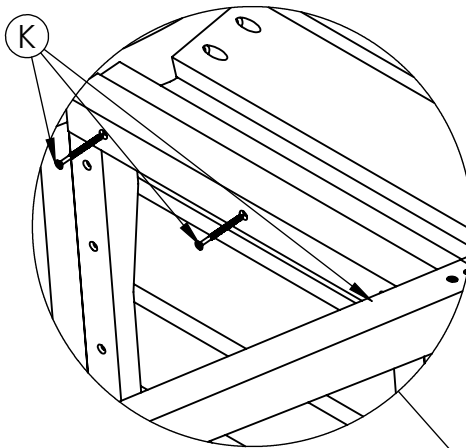
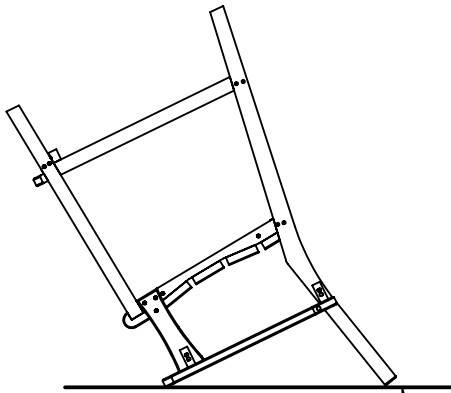
**STEP 7.2:**  
PUSH (F) DOWN AND FASTEN (J)



NOTE: REPEAT FOR OTHER SIDE.

# 8

(K) x 3

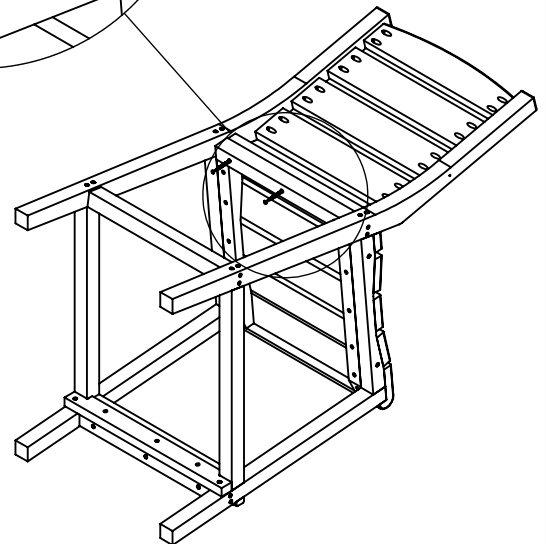


PLACE ON CLEAN/SMOOTH SURFACE TO AVOID SCRATCH

**CHECK BEFORE USE**



SCREW SCALE 1:1

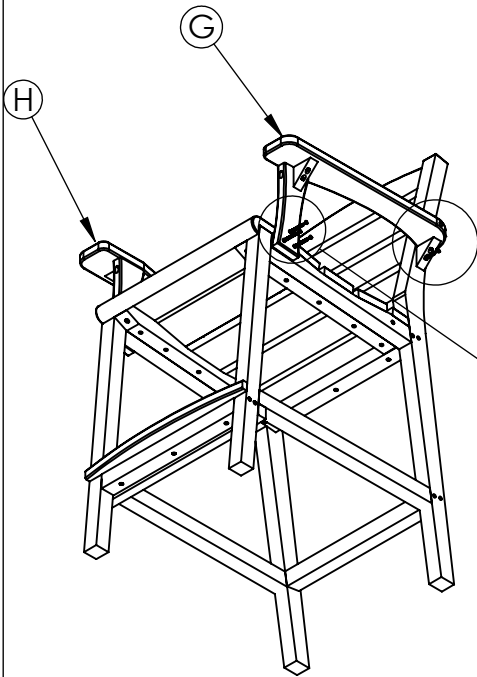


# 9

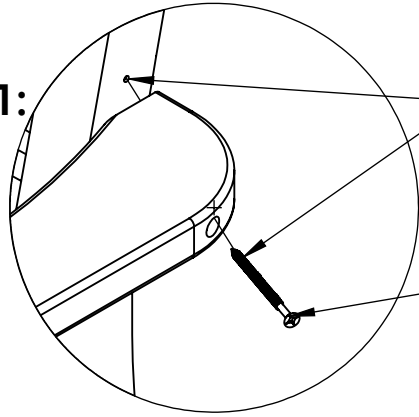
- ⓐ X 1
- ⓑ X 1
- ⓒ X 2
- ⓓ X 6
- ⓔ X 2



**CHECK THE SCREW SCALE 1:1 BEFORE USE**

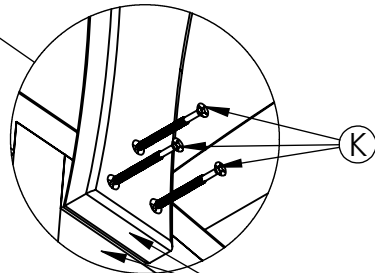


**STEP 9.1:**

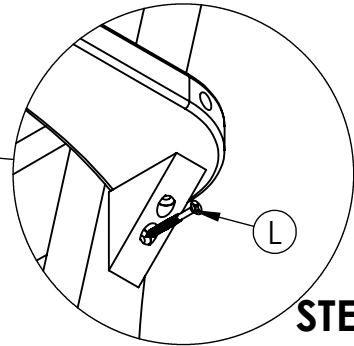


ALIGN ⓐ TO PECK MARK

**STEP 9.2:**



FLUSH HERE



**STEP 9.3:**

**NOTE: REPEAT SAME STEPS FOR OTHER SIDE OF ARM.**

