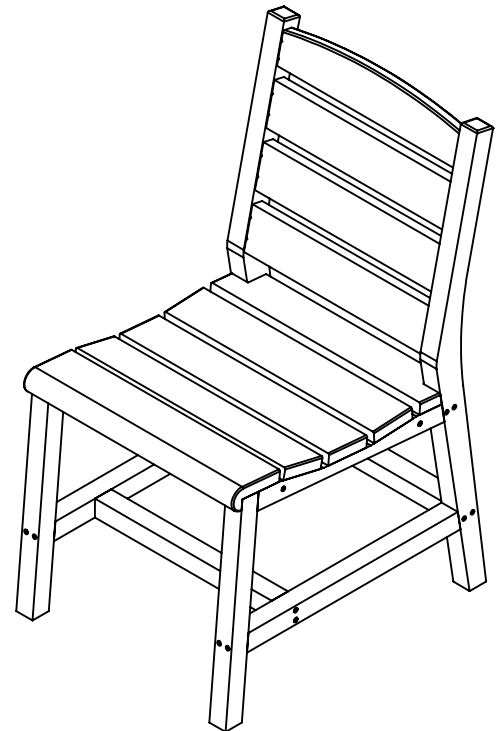




*we create* sustainable outdoor living

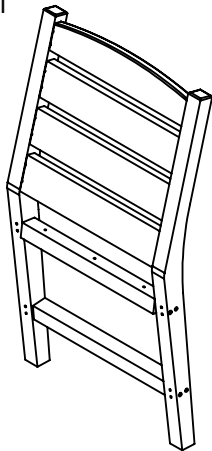


# C321

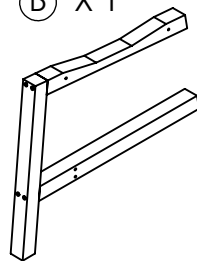
## NAPA SIDE DINING CHAIR

BOX INCLUDES:

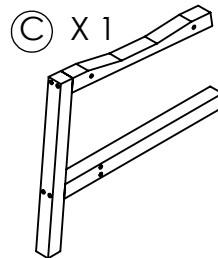
(A) X 1



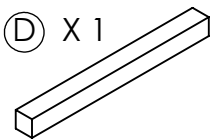
(B) X 1



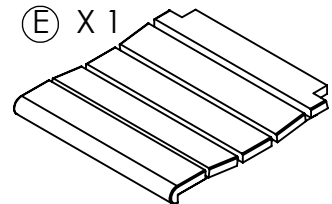
(C) X 1



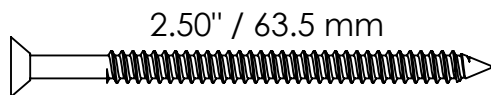
(D) X 1



(E) X 1



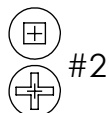
(F) X 16



(G) X 3



FASTENER SCALE TO 1:1



[www.crpproducts.com](http://www.crpproducts.com)

# 1

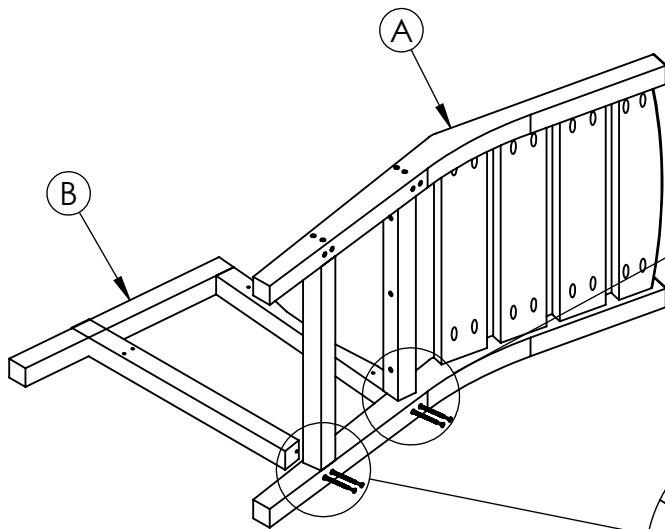
(A) x 1

(B) x 1

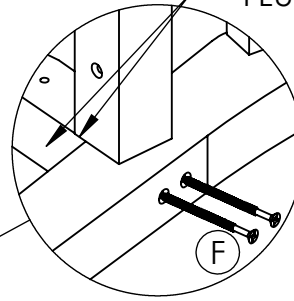
(F) x 4



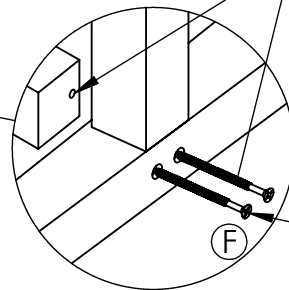
**NOTE: MAKE SURE TO FLUSH FRAME TO BACK CENTER STRINGER AS SHOWN.**



**STEP 1.1:** FLUSH HERE



**STEP 1.2:**  
ALIGN (F) TO PECK MARK



**STEP 1.3:**

# 2

(C) x 1

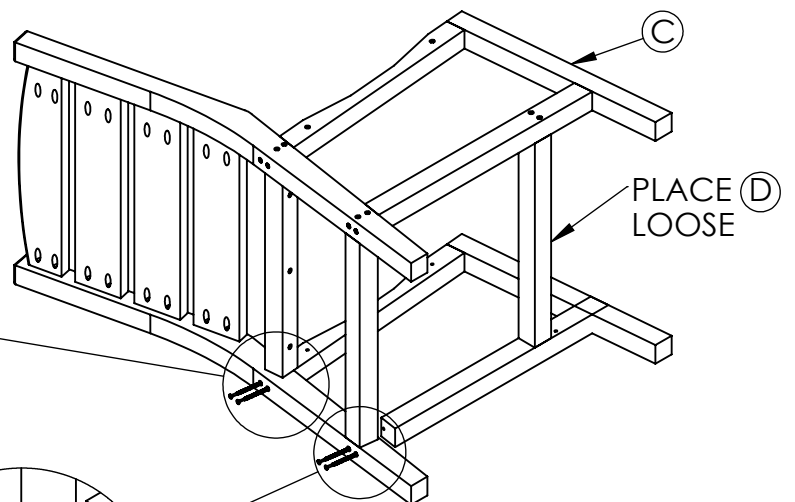
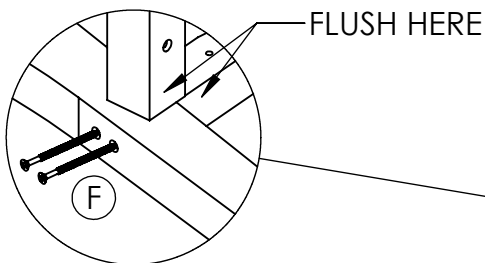
(D) x 1

(F) x 4

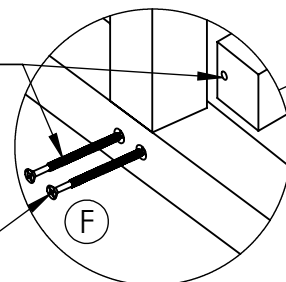


**NOTE: MAKE SURE TO FLUSH FRAME TO BACK CENTER STRINGER AS SHOWN.**

**STEP 2.1:**

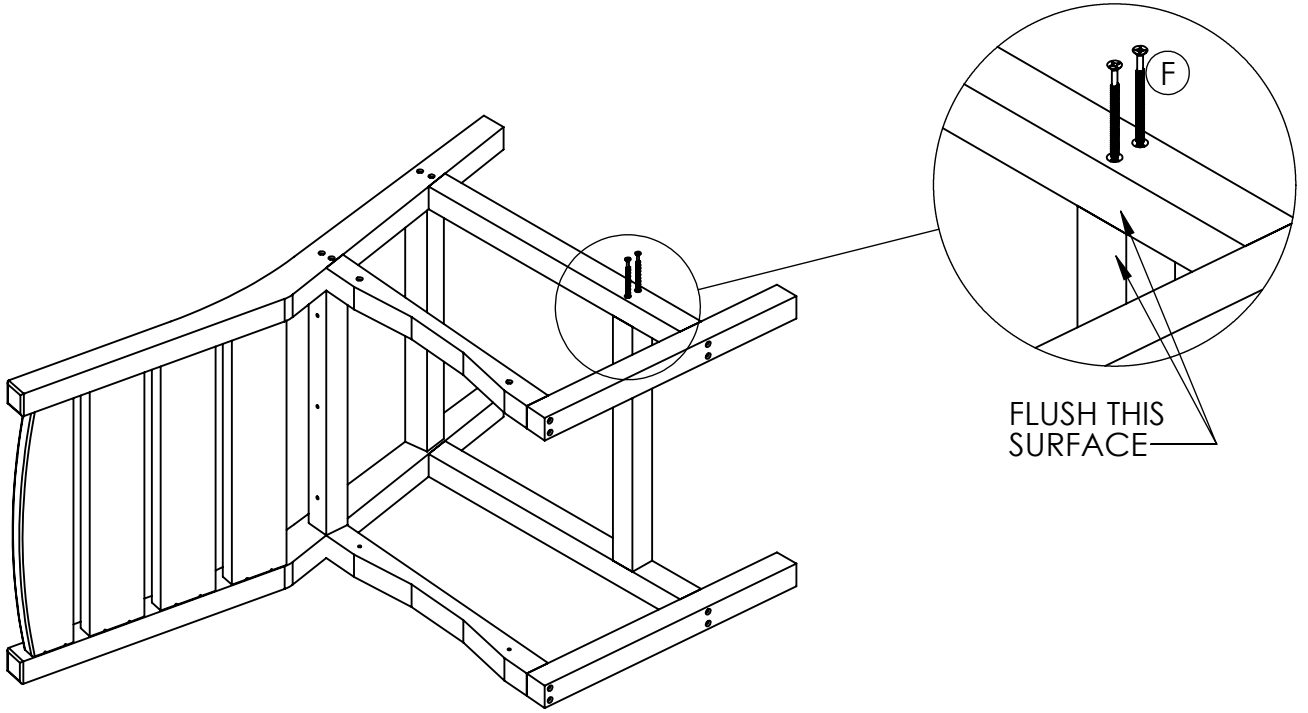


**STEP 2.2:**  
ALIGN (F) TO PECK MARK

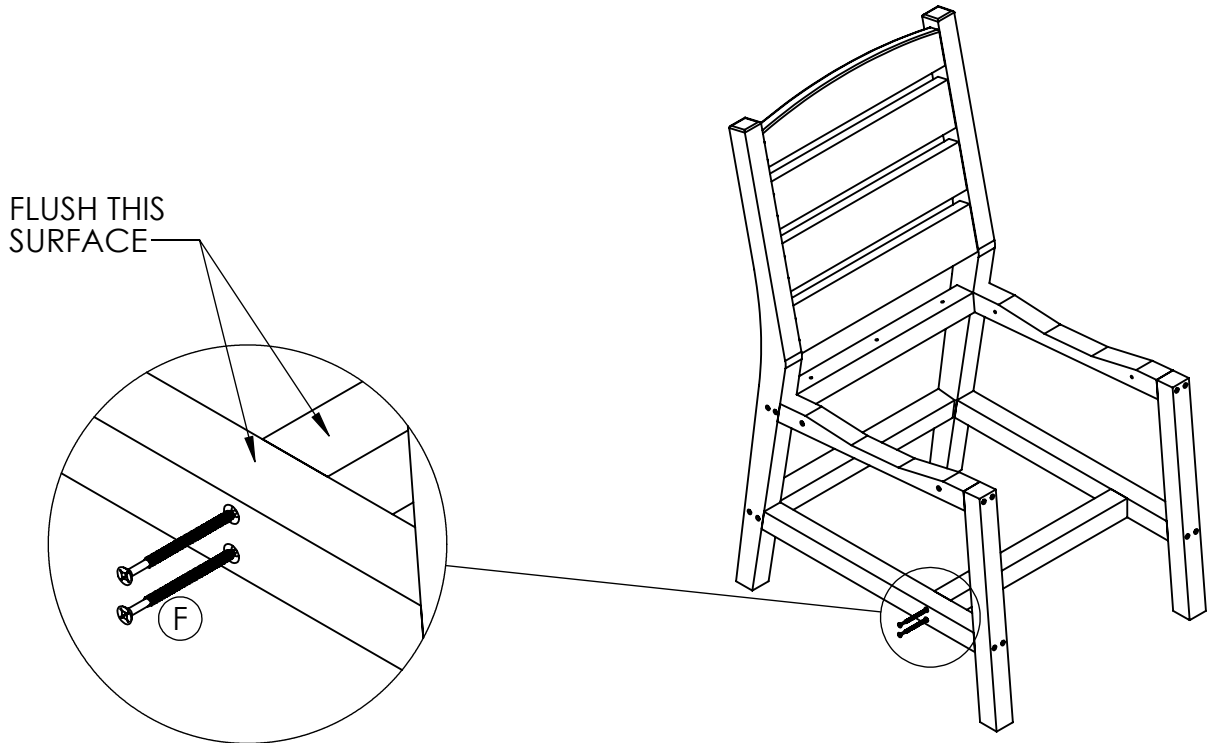


**STEP 2.3:**

**3** (F) x 2



**4** (F) x 2



# 5

(E) x 1

(F) x 4

**STEP 5.1:** PUSH (E) DOWN AND FASTEN (F)

(E)

FLUSH THIS SURFACE

(F)

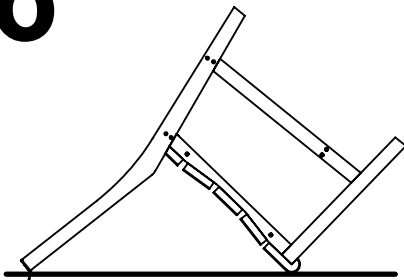
**STEP 5.2:** PUSH (E) DOWN AND FASTEN (F)

(F)

NOTE: REPEAT SAME FOR OTHER SIDE.

# 6

(G) x 3



PLACE ON CLEAN/SMOOTH SURFACE TO AVOID SCRATCH

