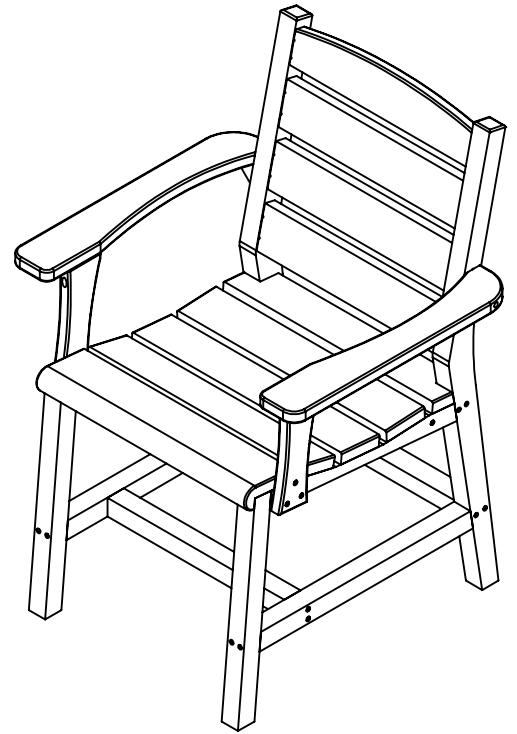




we create sustainable outdoor living

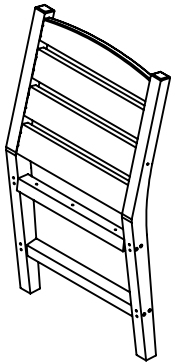


C323

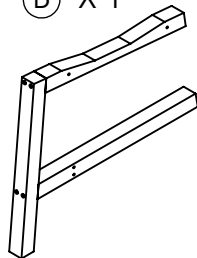
NAPA DINING ARM CHAIR

BOX INCLUDES:

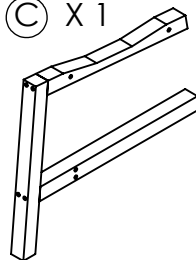
(A) X 1



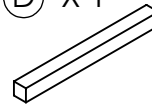
(B) X 1



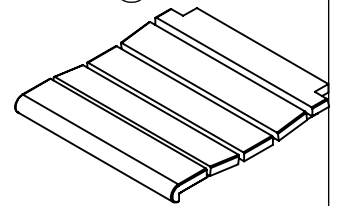
(C) X 1



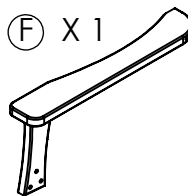
(D) X 1



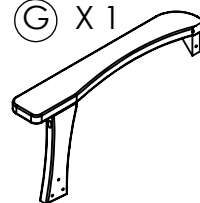
(E) X 1



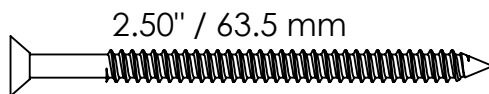
(F) X 1



(G) X 1



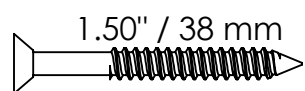
(H) X 18



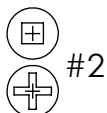
(J) X 9



(K) X 2



FASTENER SCALE TO 1:1



www.crpproducts.com

1

(A) x 1

(B) x 1

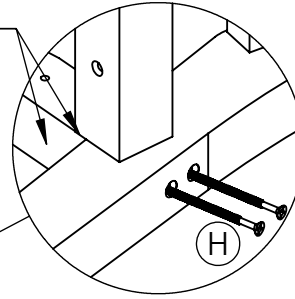
(H) x 4



NOTE: MAKE SURE TO FLUSH FRAME TO BACK CENTER STRINGER AS SHOWN.

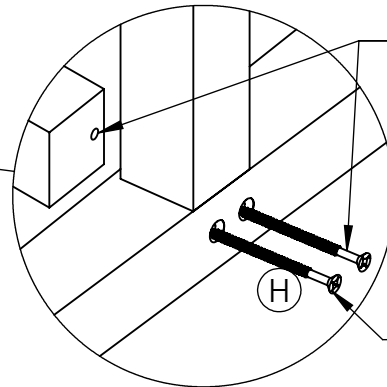
STEP 1.1:

FLUSH HERE

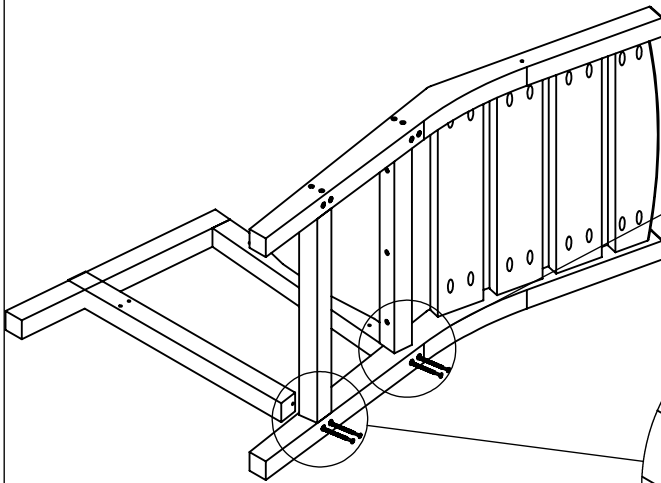


STEP 1.2:

ALIGN (H) TO PECK MARK



STEP 1.3:



2

(C) x 1

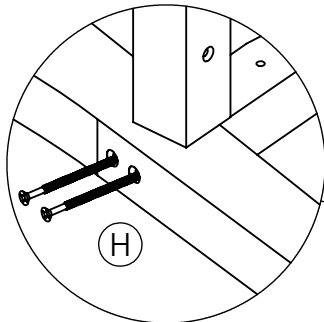
(D) x 1

(H) x 4



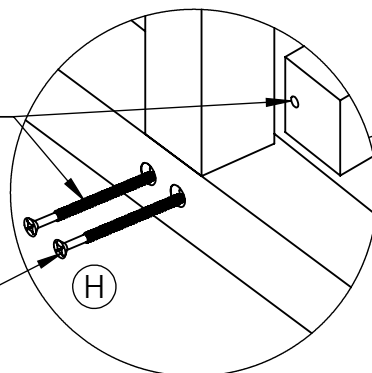
NOTE: MAKE SURE TO FLUSH FRAME TO BACK CENTER STRINGER AS SHOWN.

STEP 2.1:

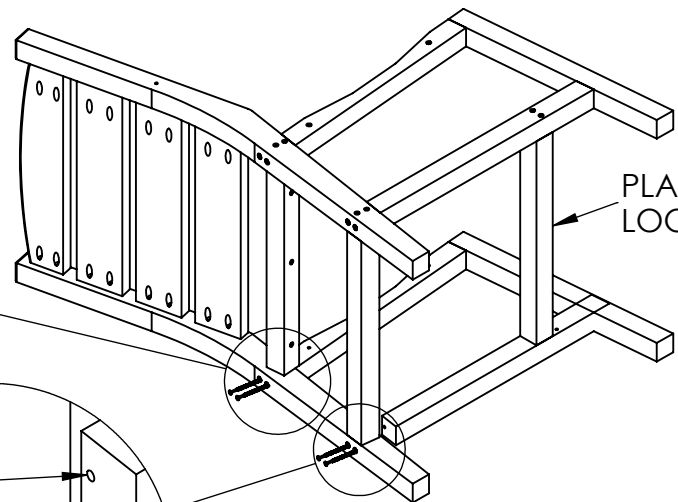


STEP 2.2:

ALIGN (H) TO PECK MARK

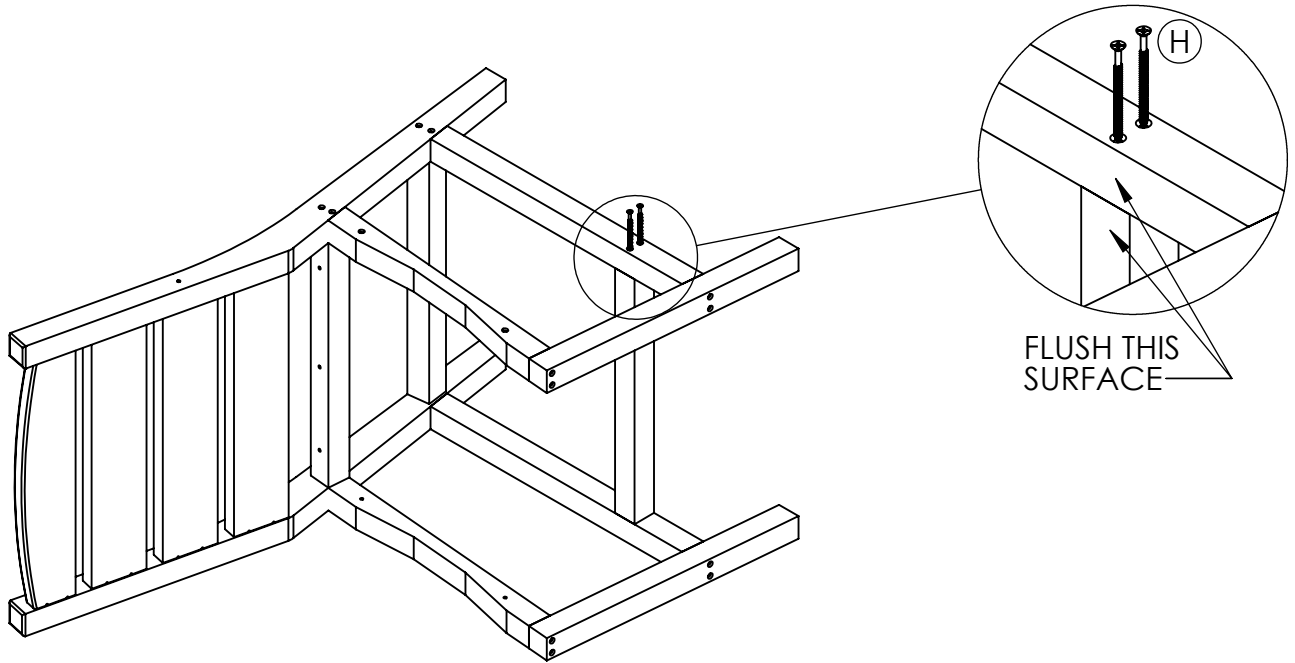


STEP 2.3:

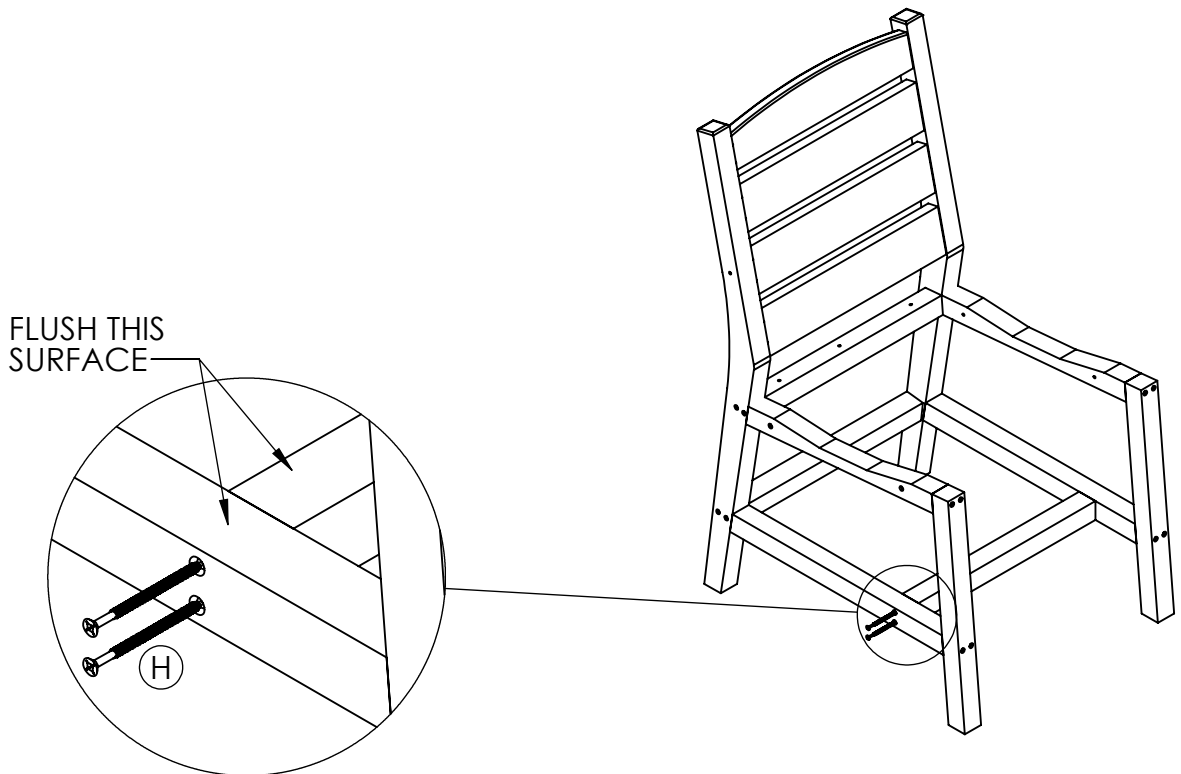


PLACE (D)
LOOSE

3 (H) x 2



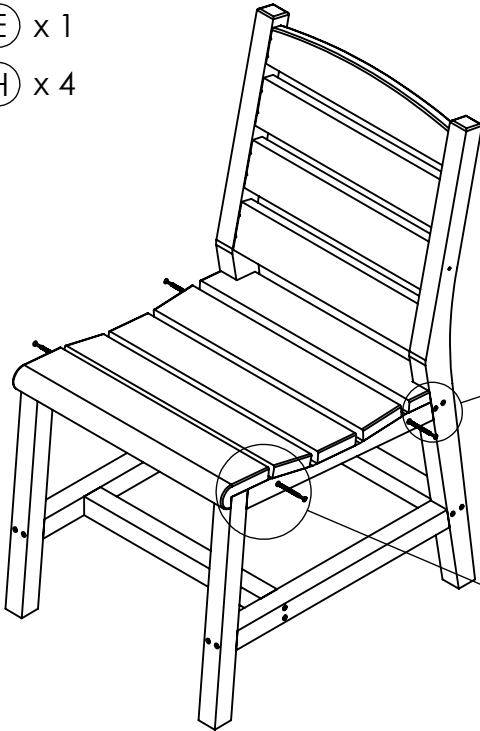
4 (H) x 2



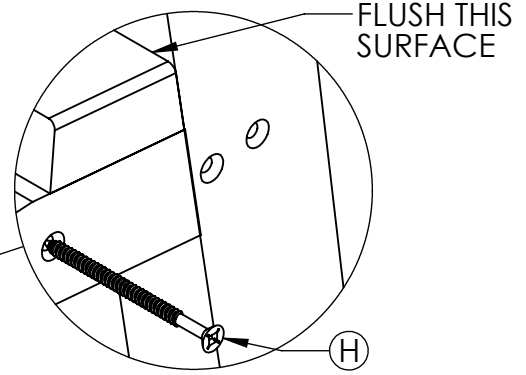
5

Ⓔ x 1

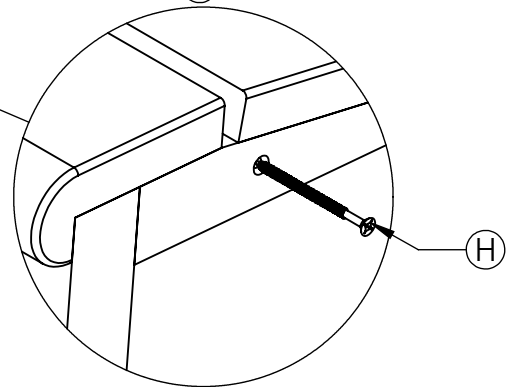
Ⓕ x 4



STEP 5.1: PUSH Ⓔ DOWN AND FASTEN Ⓕ



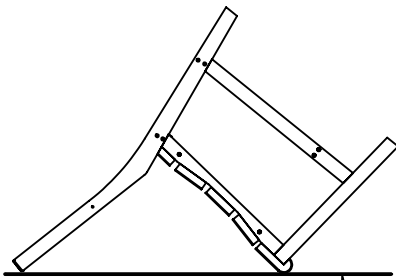
STEP 5.2: PUSH Ⓔ DOWN AND FASTEN Ⓕ



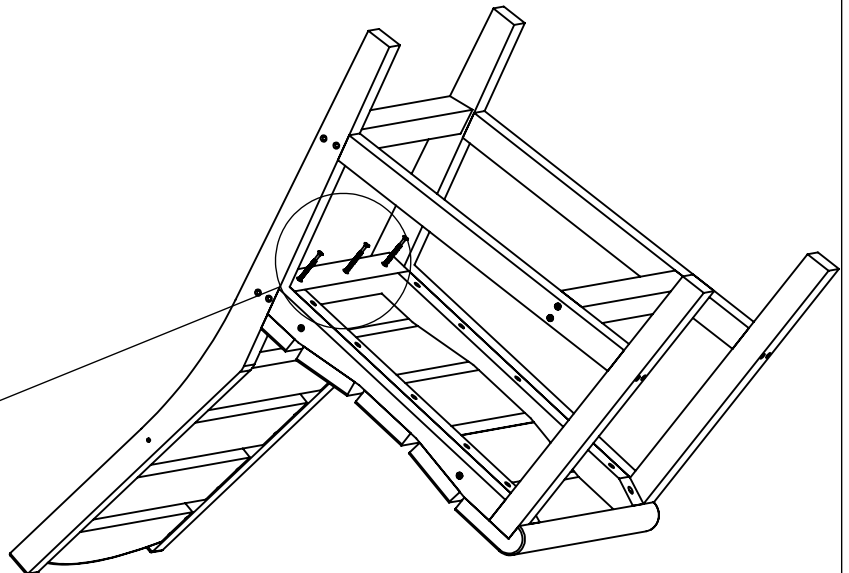
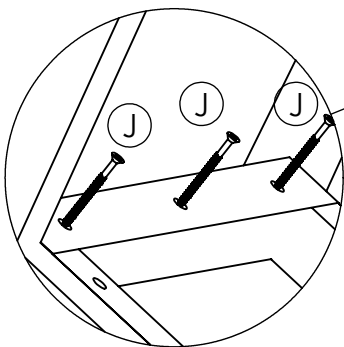
NOTE: REPEAT SAME FOR OTHER SIDE.

6

Ⓙ x 3



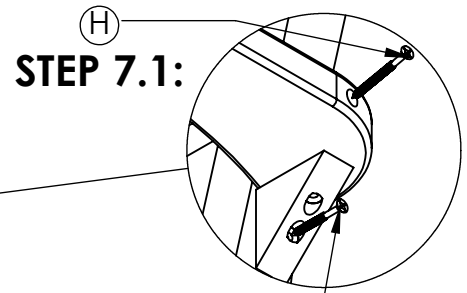
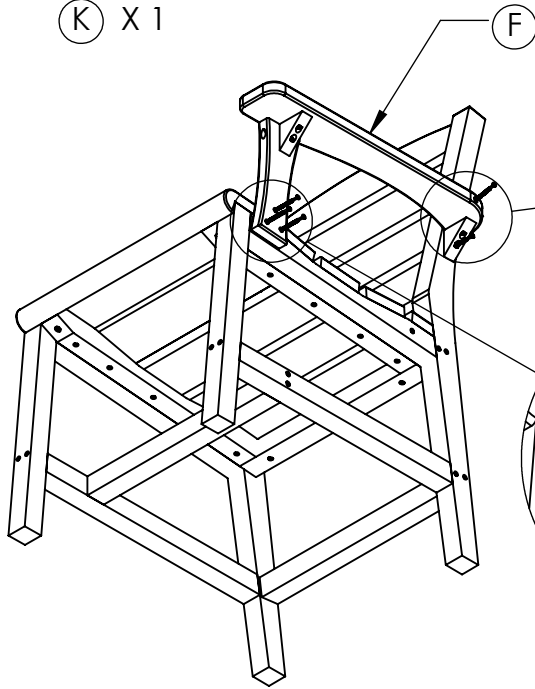
PLACE ON CLEAN/SMOOTH SURFACE TO AVOID SCRATCH



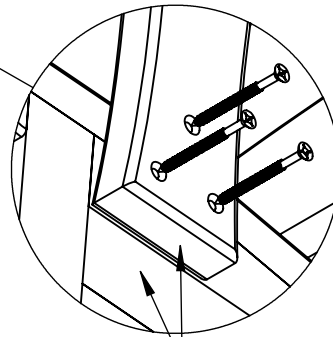
7

- (F) X 1
- (H) X 1
- (J) X 3
- (K) X 1

ALIGN (H) WITH PECK MARK ON THE SIDES OF (A) FOR ACCURATE ARM LOCATION.



STEP 7.1:



STEP 7.2:

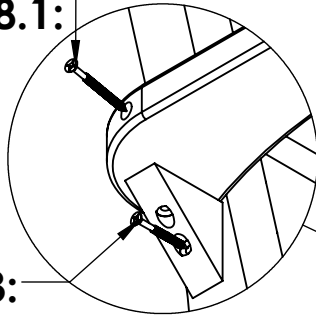
STEP 7.3:

8

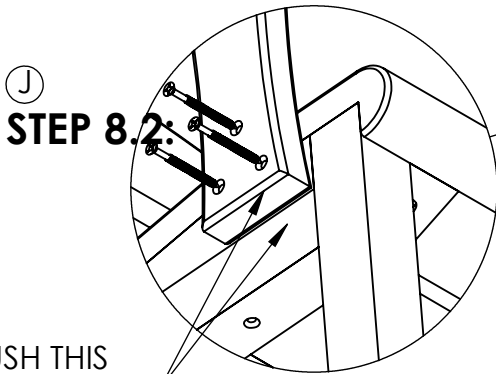
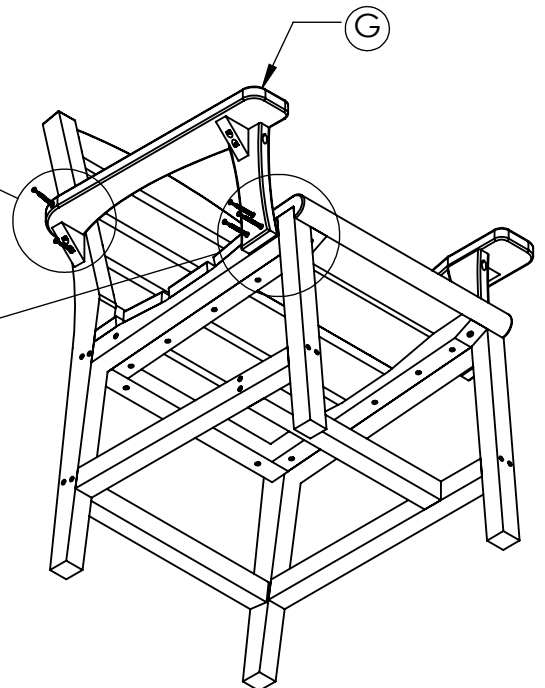
- (G) X 1
- (H) X 1
- (J) X 3
- (K) X 1

ALIGN (H) WITH PECK MARK ON THE SIDES OF (A) FOR ACCURATE ARM LOCATION.

STEP 8.1:



STEP 8.3:



STEP 8.2:

FLUSH THIS SURFACE

