

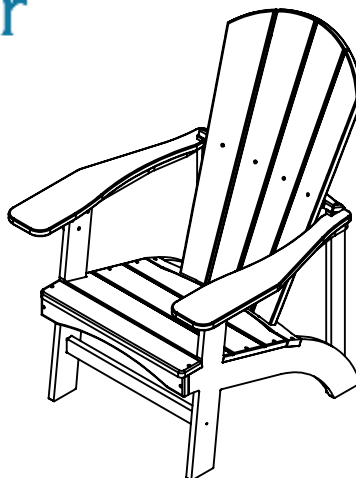


# Crystal Harbor COLLECTION<sub>®</sub> BY C.R. PLASTIC PRODUCTS

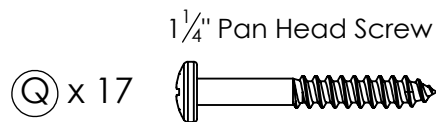
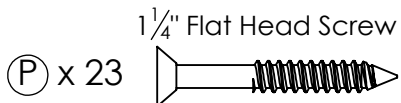
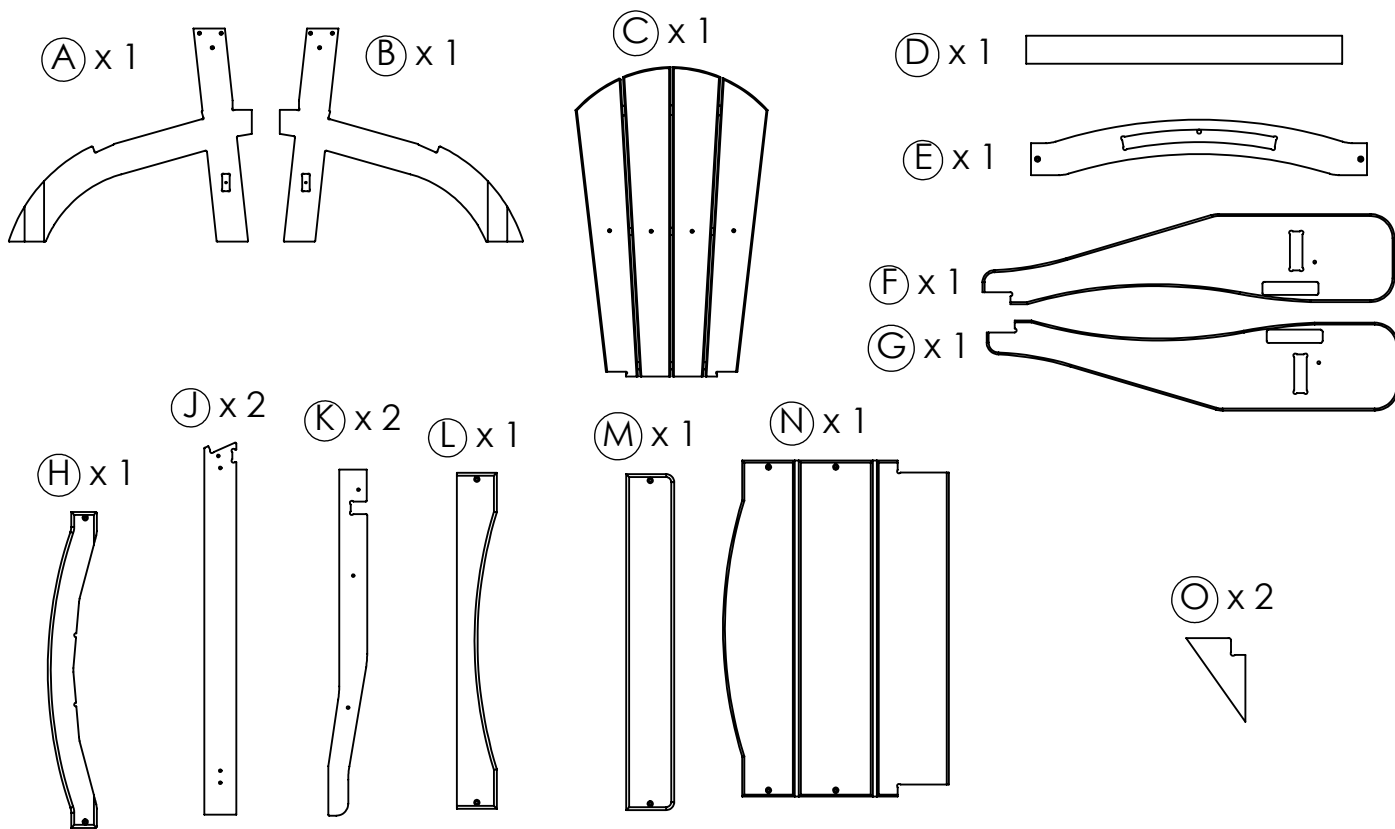
SCAN FOR 3D INSTRUCTIONS



FOR MORE INFORMATION VISIT OUR WEBSITE



## CCH07 Essential Chair

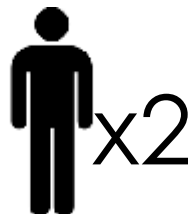
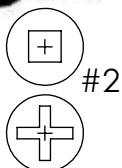
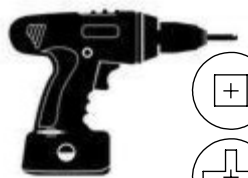


FASTENER SCALE TO 1:1

\*ONE EXTRA FASTENER\*



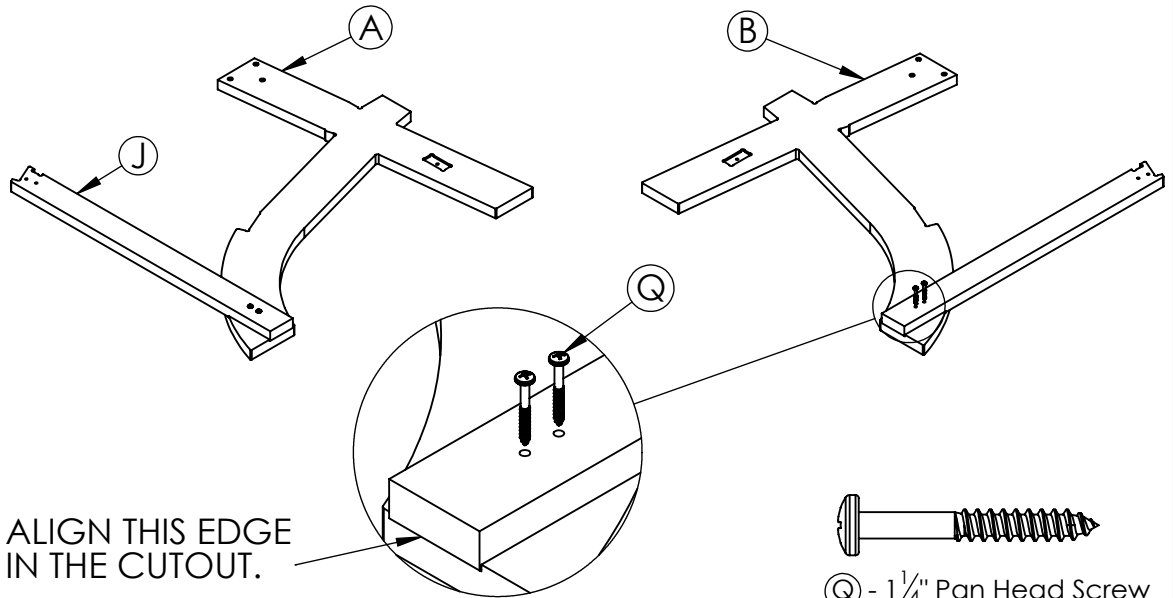
**IMPACT DRIVER  
REQUIRED**



[www.crpproducts.com](http://www.crpproducts.com)

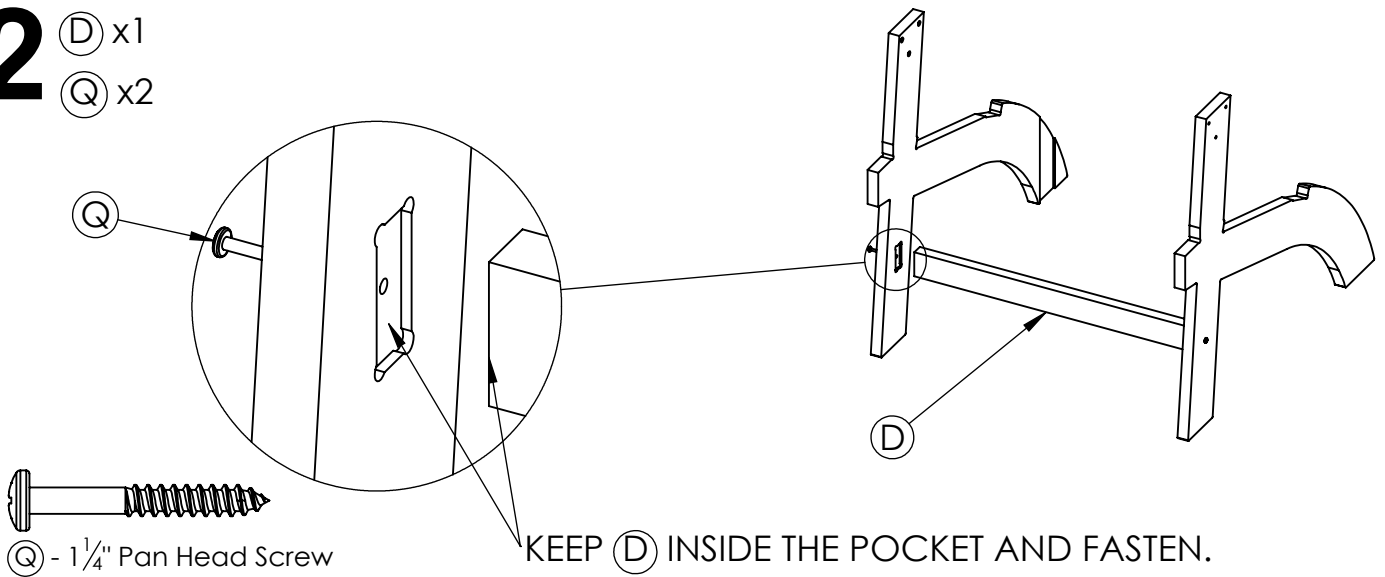
# 1

- Ⓐ x1
- Ⓑ x1
- Ⓙ x2
- Ⓚ x4



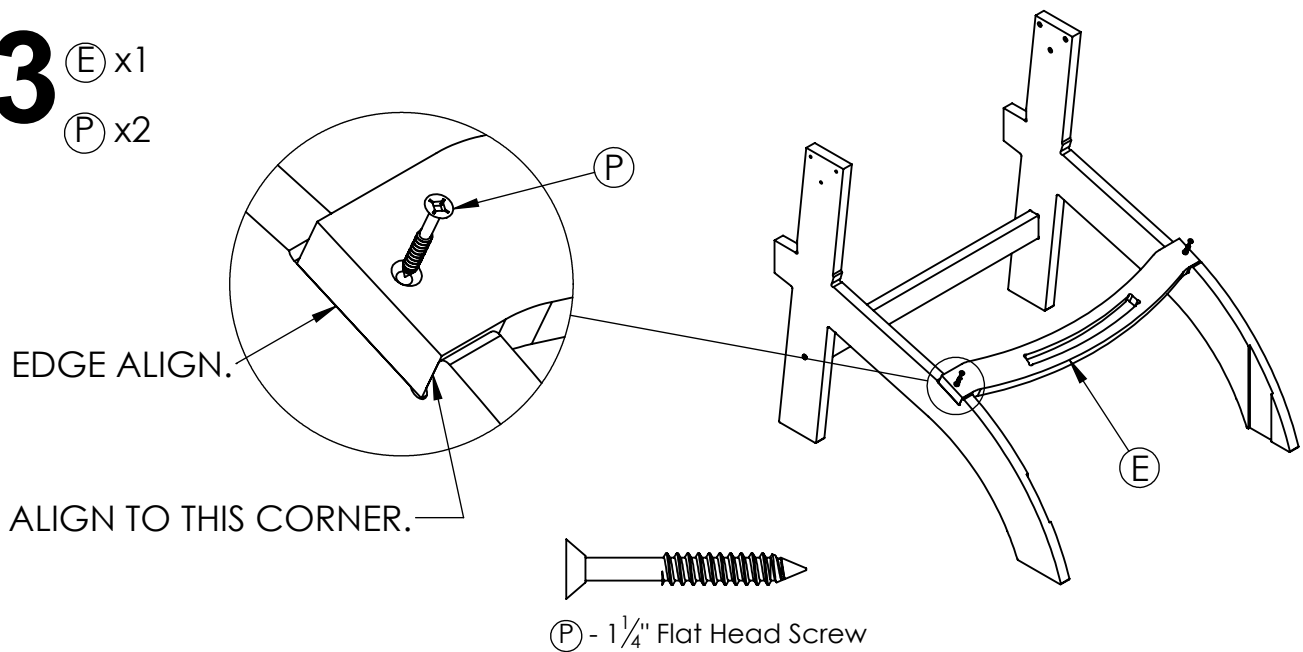
# 2

- Ⓓ x1
- Ⓚ x2



# 3

- Ⓔ x1
- Ⓟ x2

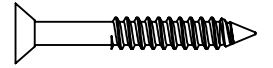
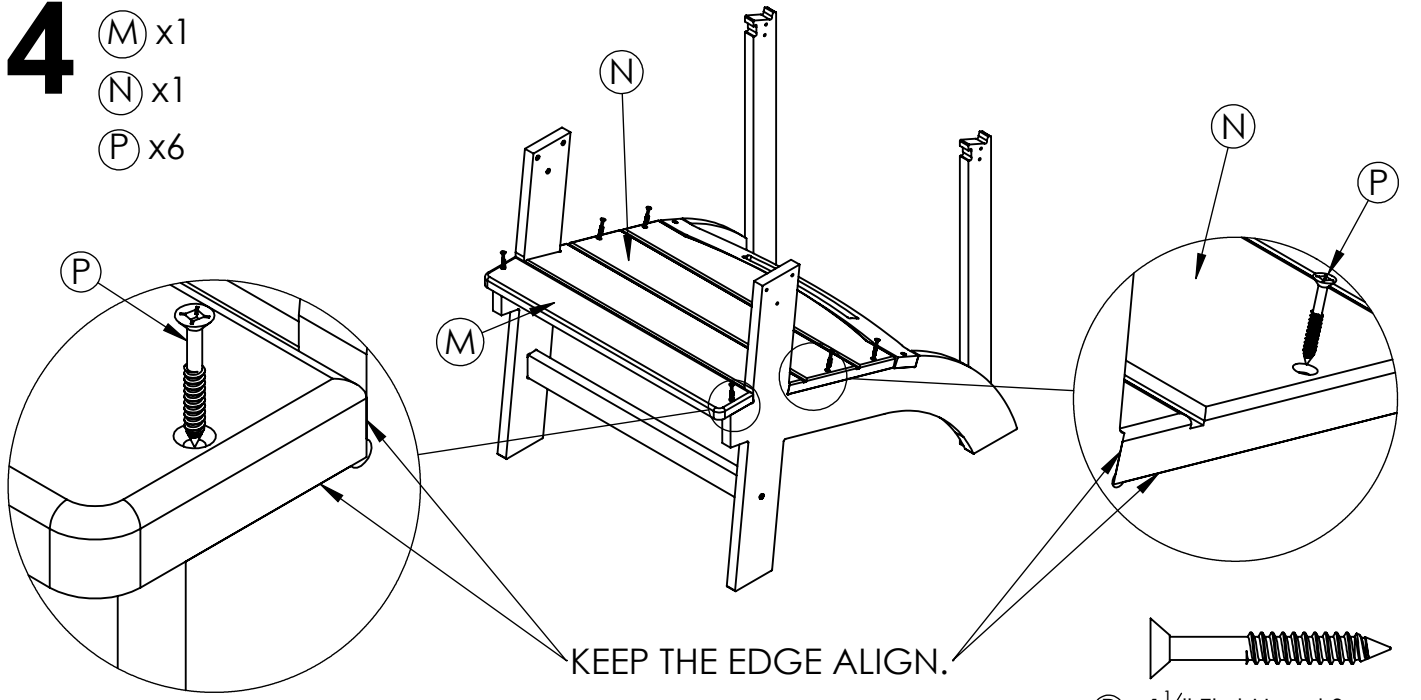


# 4

(M) x1

(N) x1

(P) x6

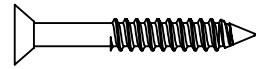
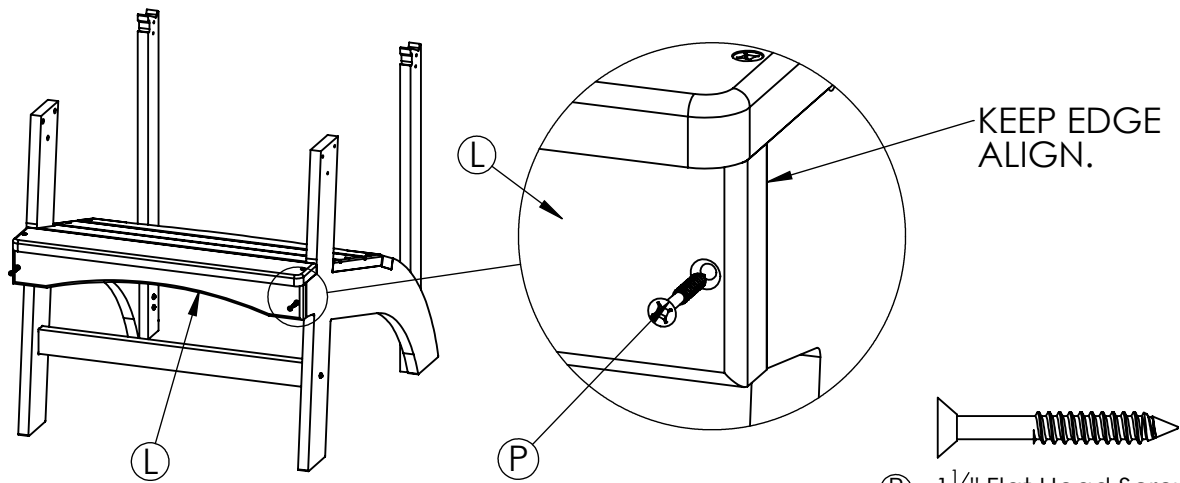


(P) - 1 1/4" Flat Head Screw

# 5

(L) x1

(P) x2



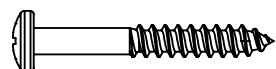
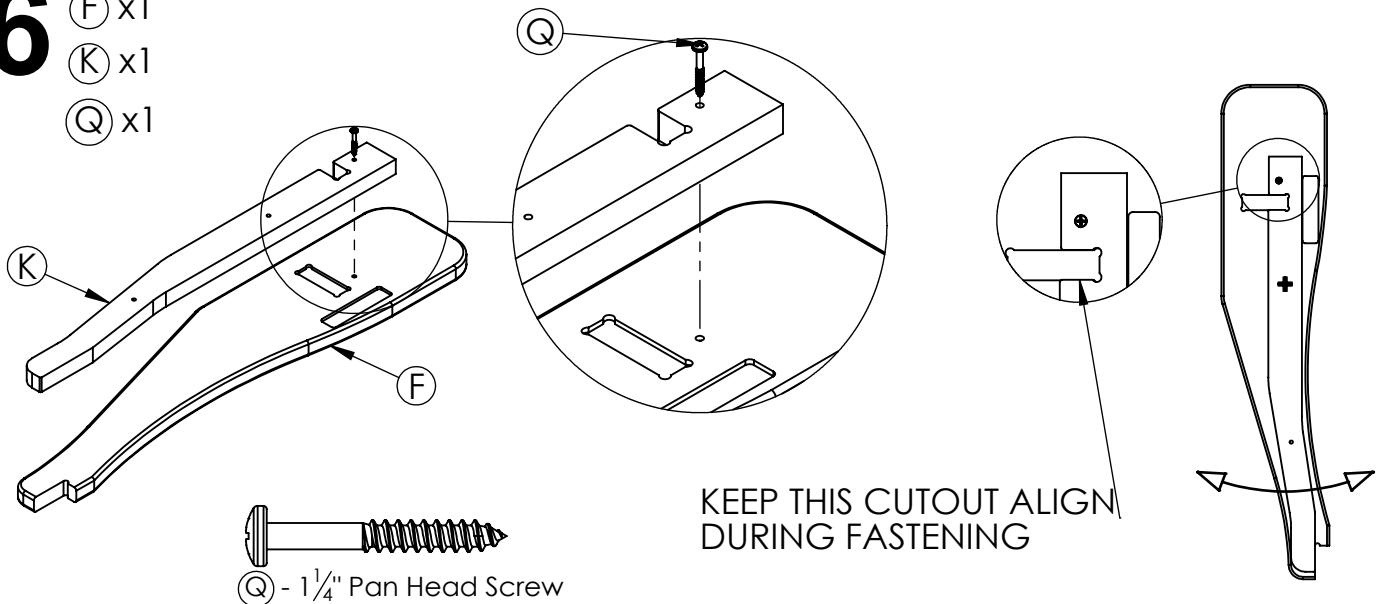
(P) - 1 1/4" Flat Head Screw

# 6

(F) x1

(K) x1

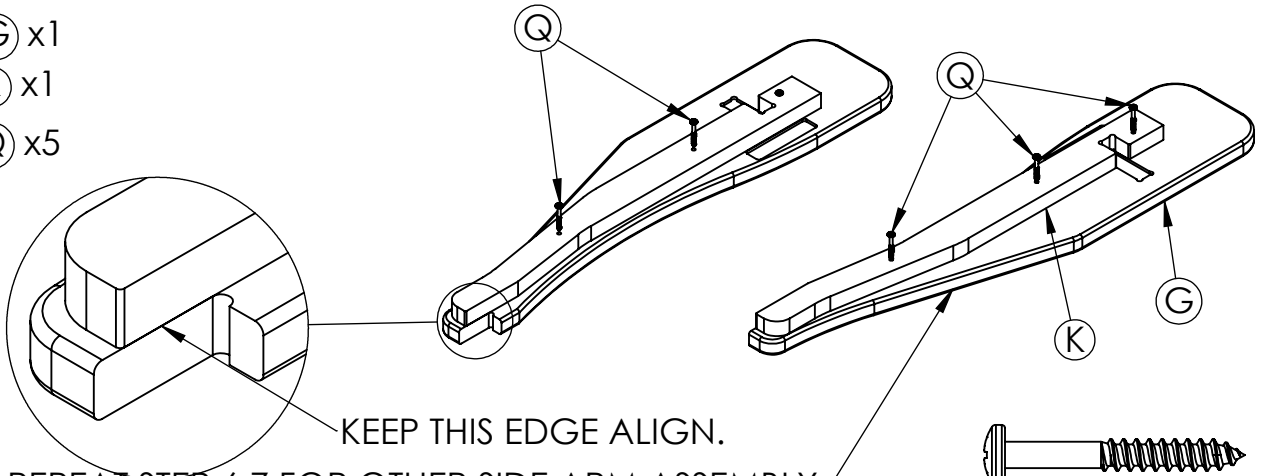
(Q) x1



(Q) - 1 1/4" Pan Head Screw

# 7

- ⓐ x1
- Ⓚ x1
- Ⓠ x5



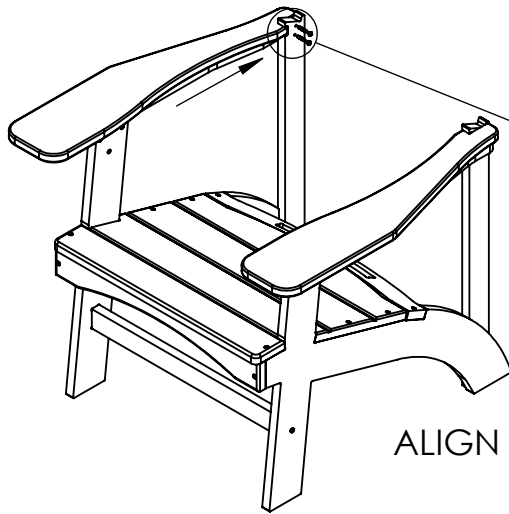
NOTE: REPEAT STEP 6,7 FOR OTHER SIDE ARM ASSEMBLY.



Ⓠ - 1/4" Pan Head Screw

# 8

- Ⓠ x4



STEP 8.2



STEP 8.1

ALIGN WITH THE NOTCH.

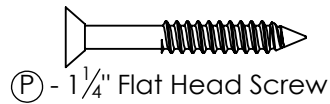
NOTE: TWO SCREWS EACH SIDE.



Ⓠ - 1/4" Pan Head Screw

# 9

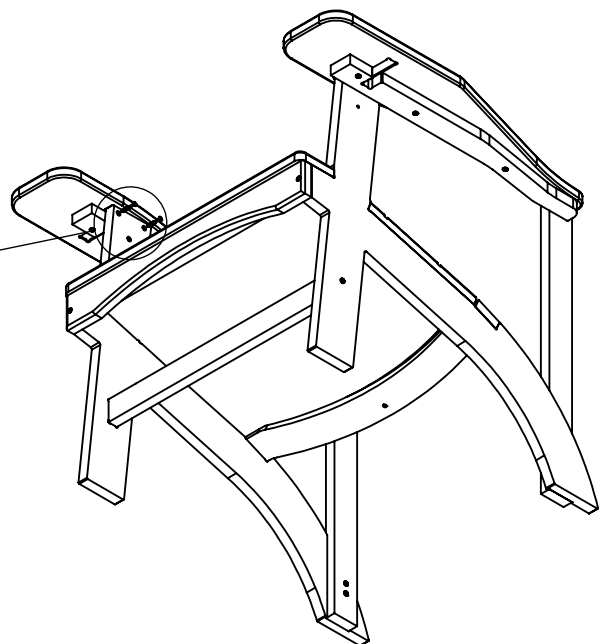
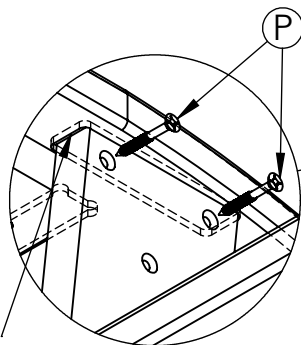
- Ⓟ x4



Ⓟ - 1/4" Flat Head Screw



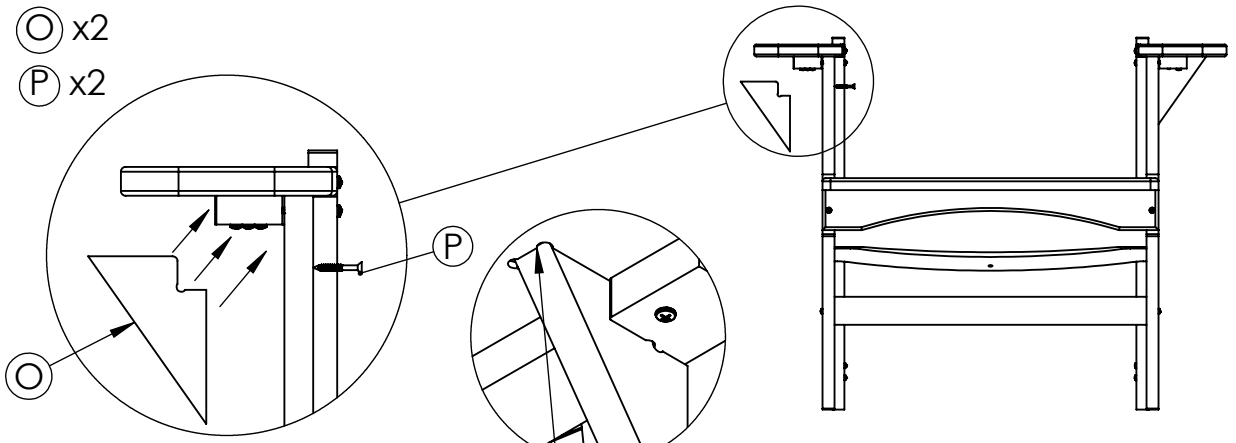
PUSH INSIDE THE NOCTH AND FASTEN.



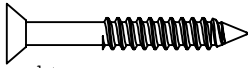
NOTE: SAME PROCESS FOR BOTH SIDE OF Ⓞ ASSEMBLY.

# 10

⊙ x2  
Ⓟ x2



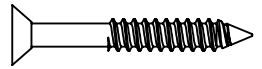
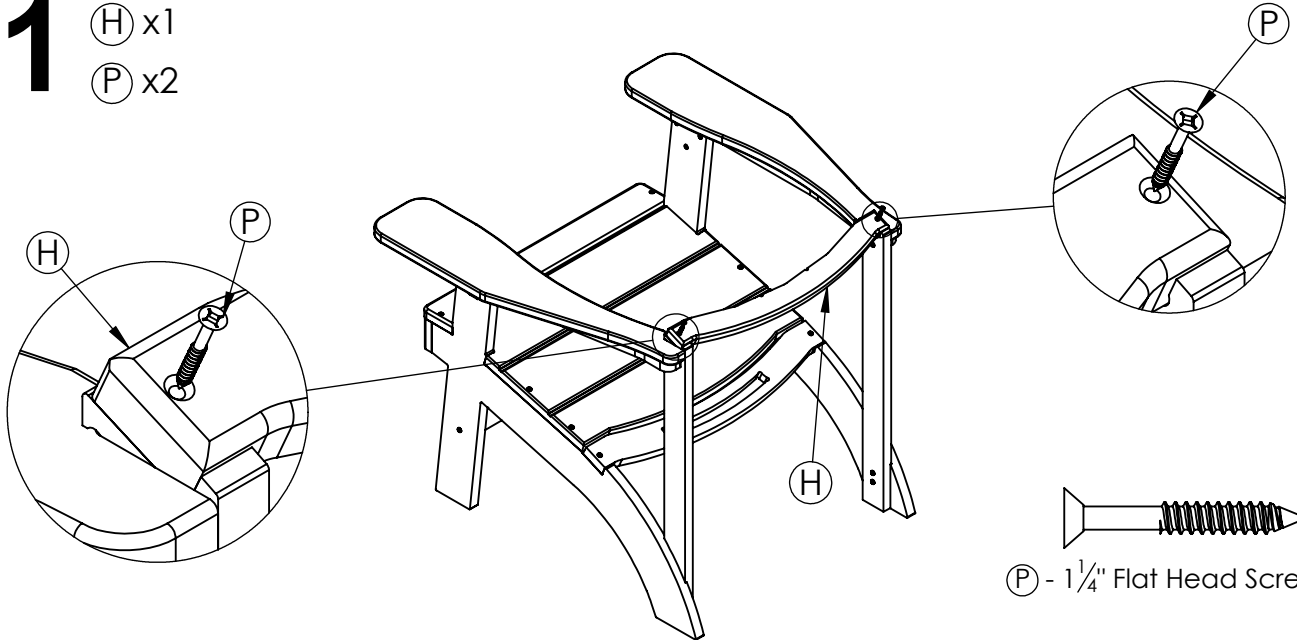
PUSH INSIDE THE  
NOCTH AND FASTEN.



Ⓟ - 1/4" Flat Head Screw

# 11

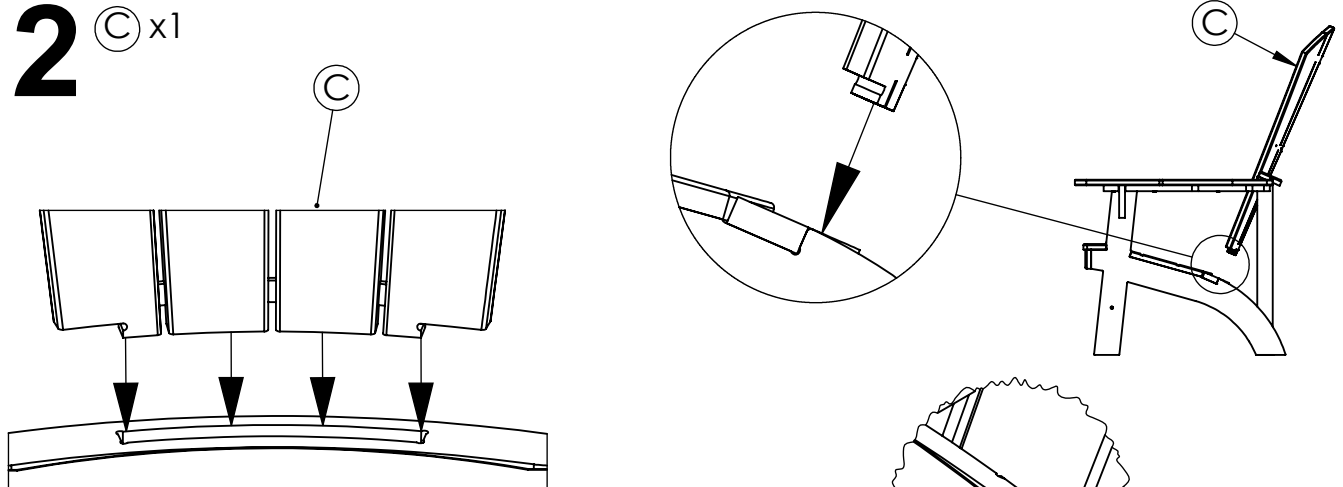
Ⓜ x1  
Ⓟ x2



Ⓟ - 1/4" Flat Head Screw

# 12

Ⓢ x1

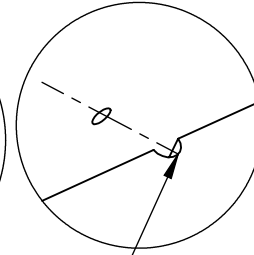
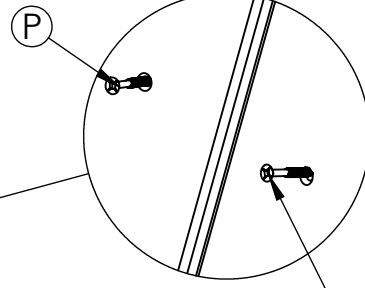
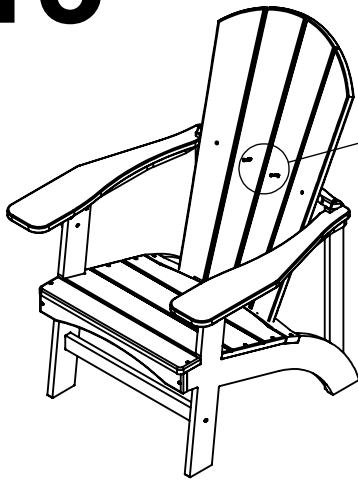


AFTER STEP 11.

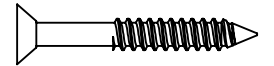
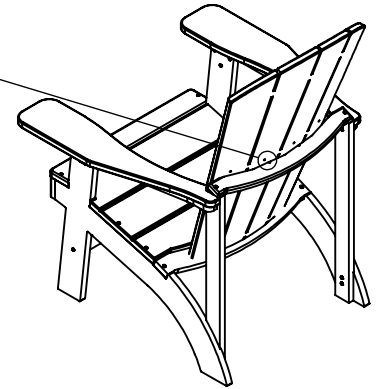
Ⓢ INSIDE NOTH OF Ⓜ.

# 13

(P) x2



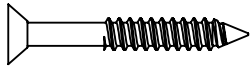
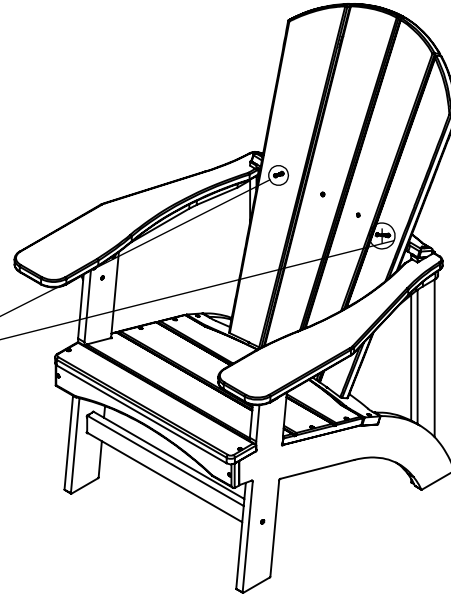
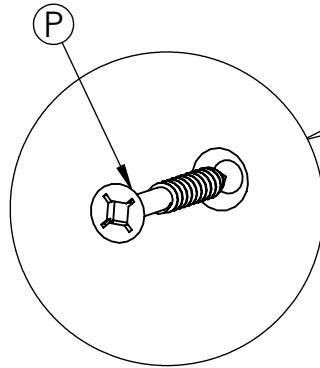
ALIGN (P) TO NOTCH OF (H)



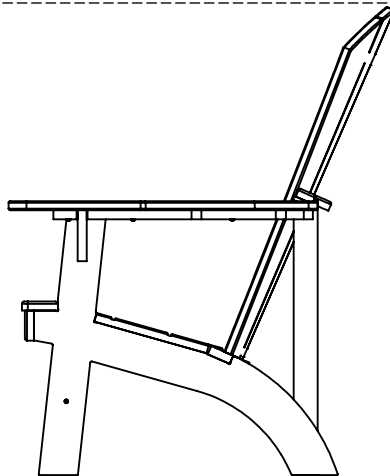
(P) - 1 1/4" Flat Head Screw

# 14

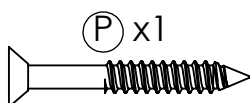
(P) x2



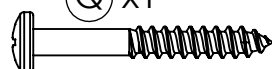
(P) - 1 1/4" Flat Head Screw



EXTRA FASTENER



(P) x1



(Q) x1

