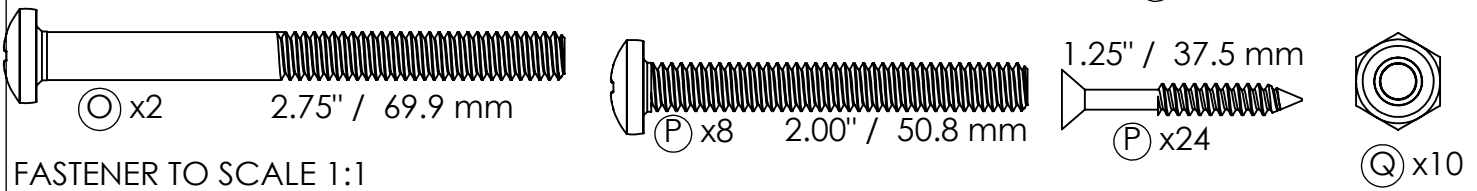
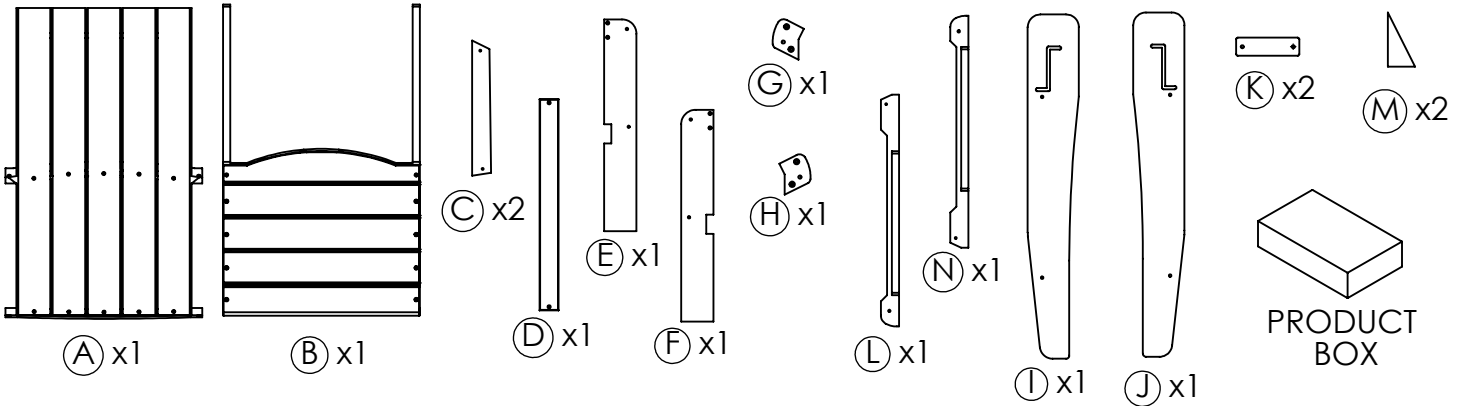




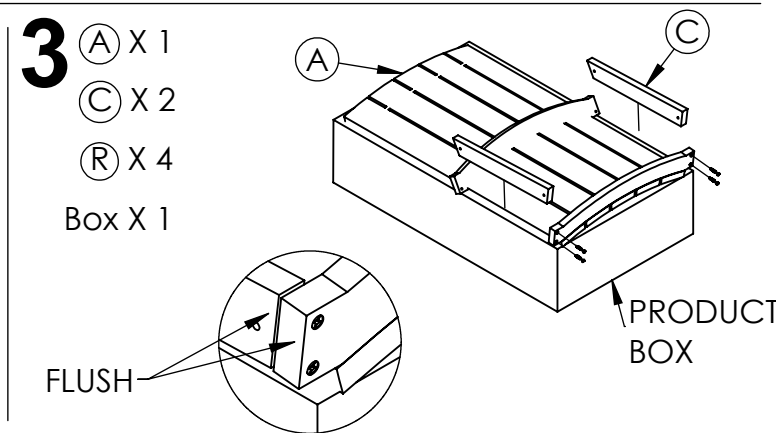
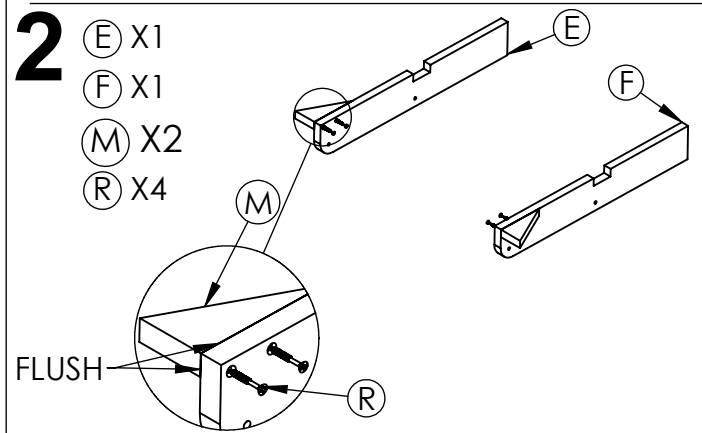
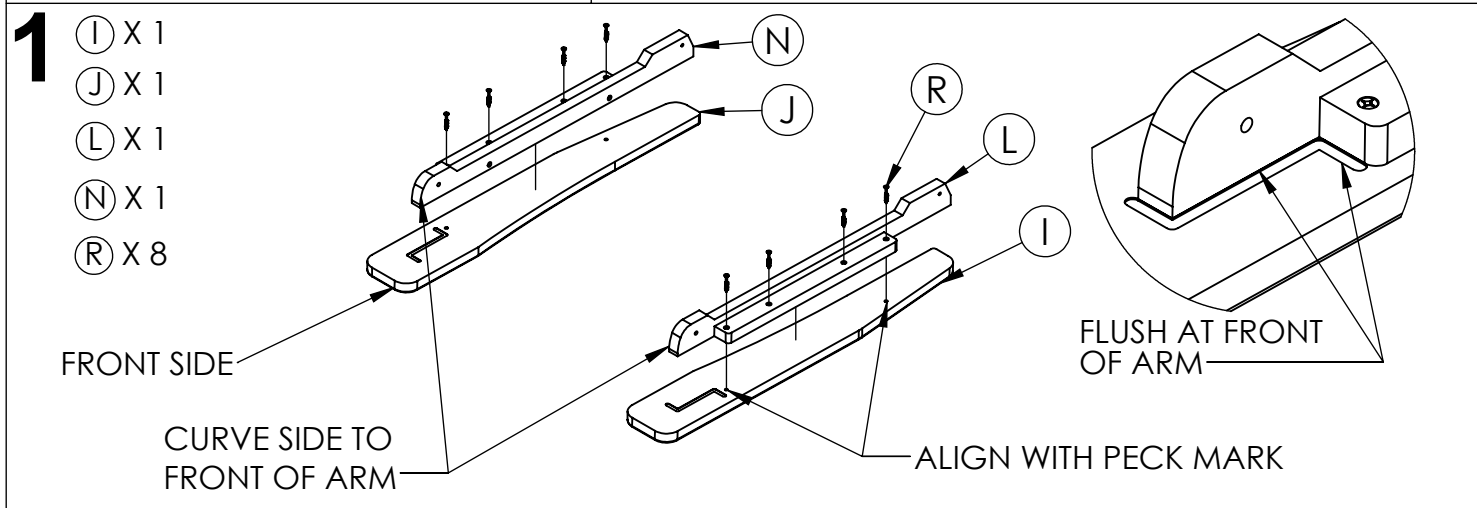
Crystal Harbor COLLECTION.

BY C.R. PLASTIC PRODUCTS

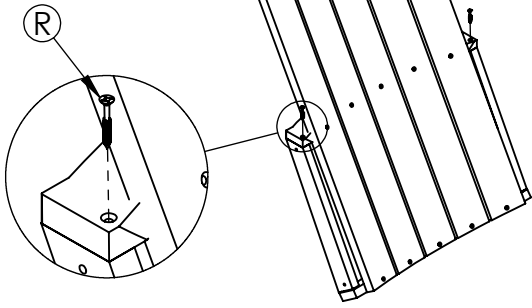
CFCH06



+, +, ? 1-866-439-9521, www.crpproducts.com, wecare@crplastics.com



4 (R) X 2

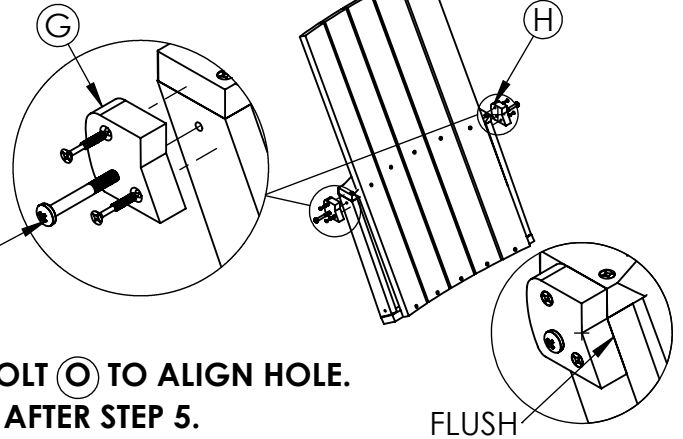


5 (G) X 1

(H) X 1

(R) X 4

(O) X 2

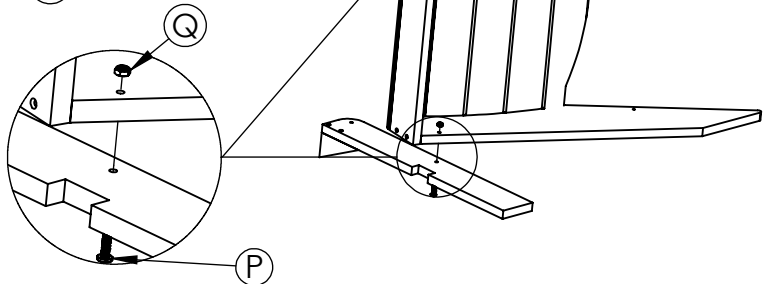


**NOTE: USE BOLT (O) TO ALIGN HOLE.
REMOVE (O) AFTER STEP 5.**

6 (B) X 1

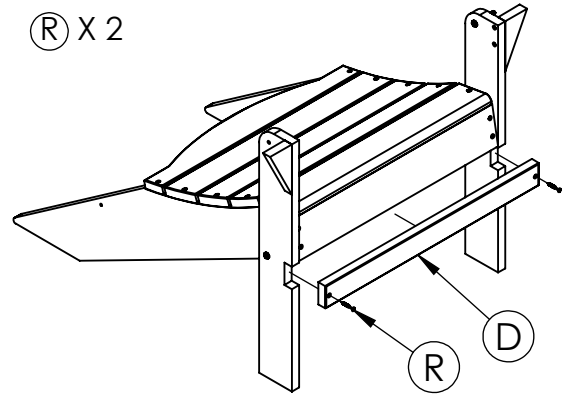
(P) X 2

(Q) X 2



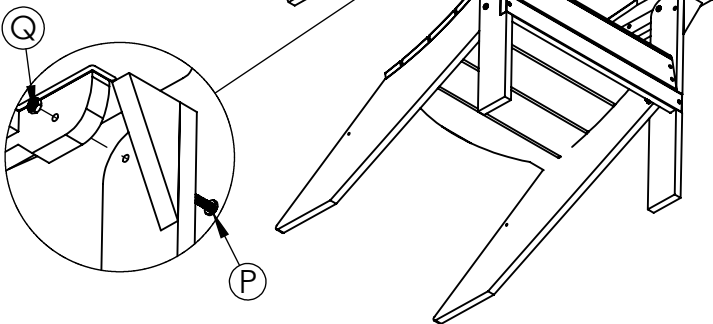
7 (D) X 1

(R) X 2



8 (P) X 2

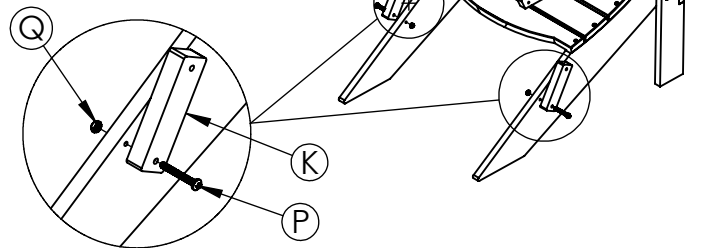
(Q) X 2



9 (K) X 2

(P) X 2

(Q) X 2



NOTE: REPEAT SAME STEP FOR OTHER SIDE.

10 (O) X 2

(P) X 2

(Q) X 4

