



Crystal Harbor COLLECTION®

BY C.R. PLASTIC PRODUCTS

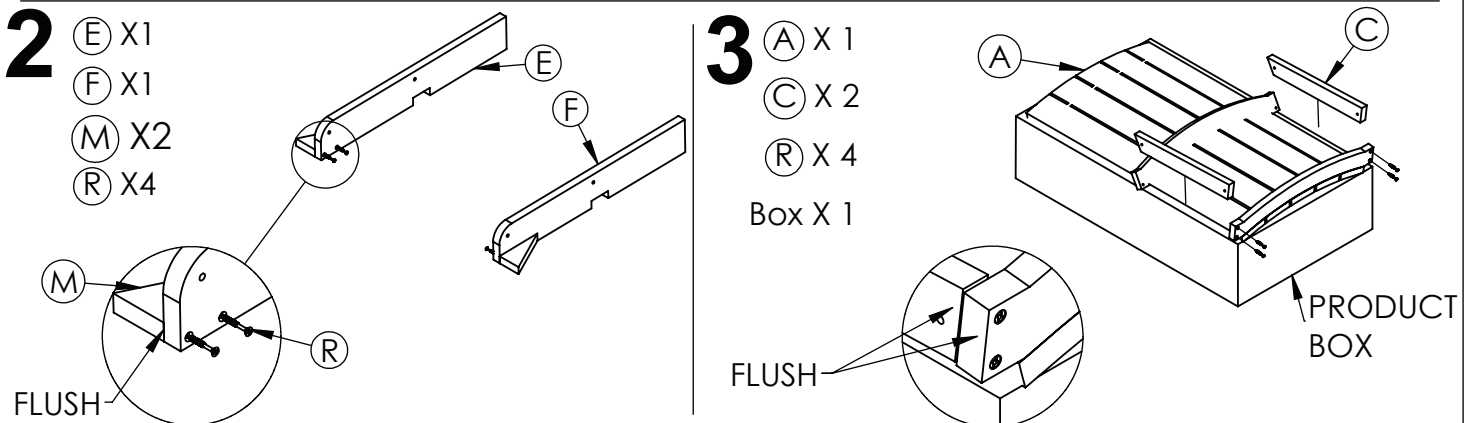
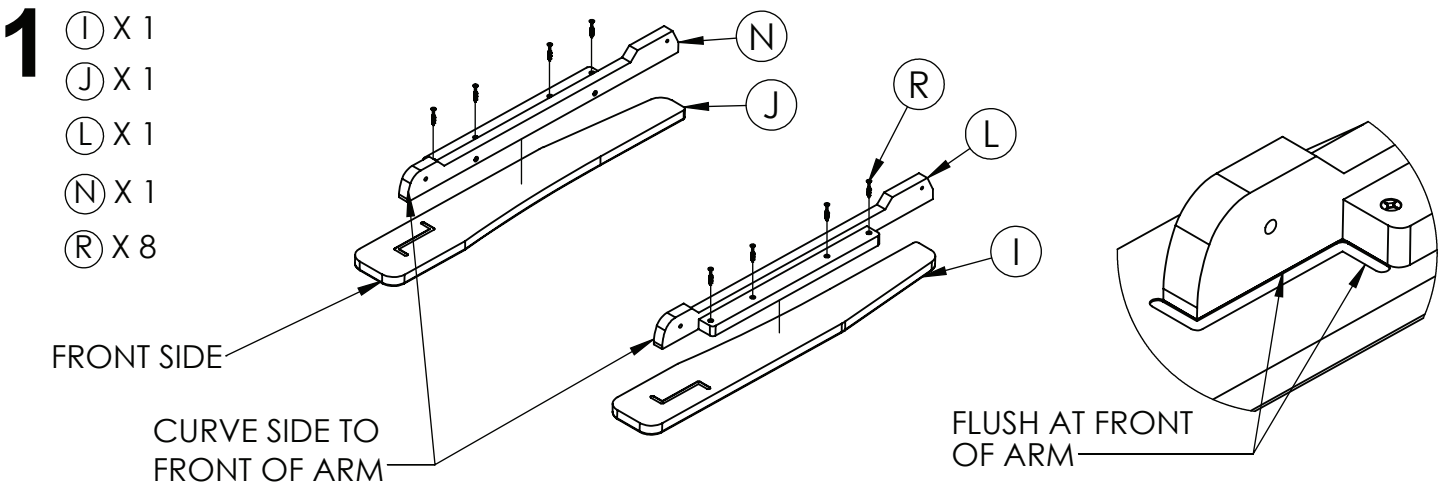
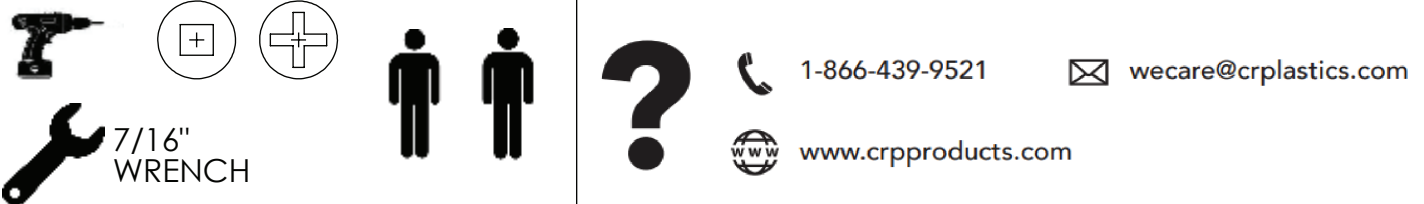
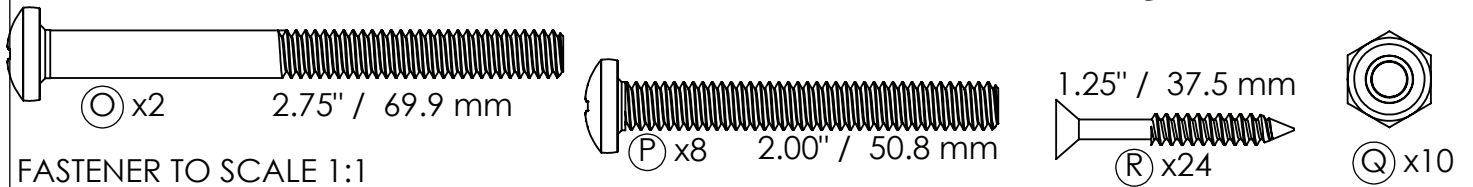
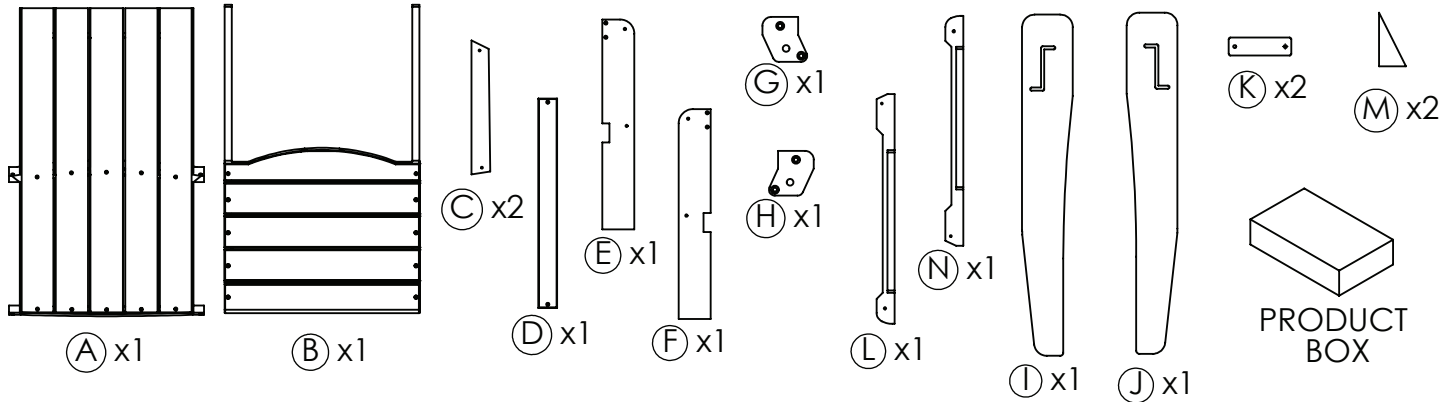
CFCH06

Crystal Harbor Collection
Modern Folding Adirondack Chair

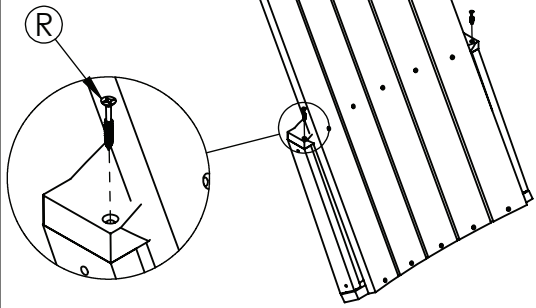
SCAN FOR BILT. 3D INSTRUCTIONS



POWERED BY BILT INTELLIGENT INSTRUCTIONS™



4 (R) X 2

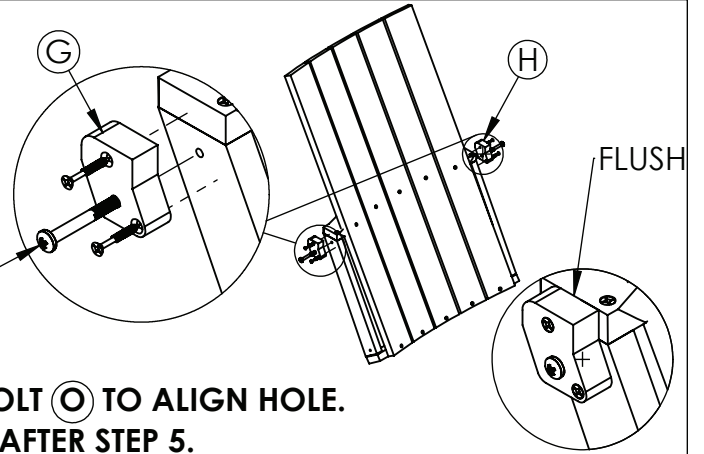


5 (G) X 1

(H) X 1

(R) X 4

(O) X 2

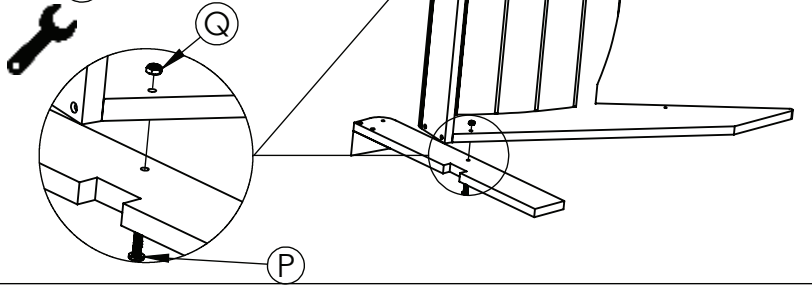


NOTE: USE BOLT (O) TO ALIGN HOLE.
REMOVE (O) AFTER STEP 5.

6 (B) X 1

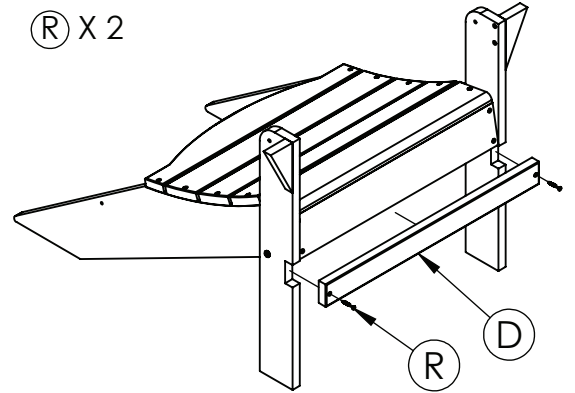
(P) X 2

(Q) X 2



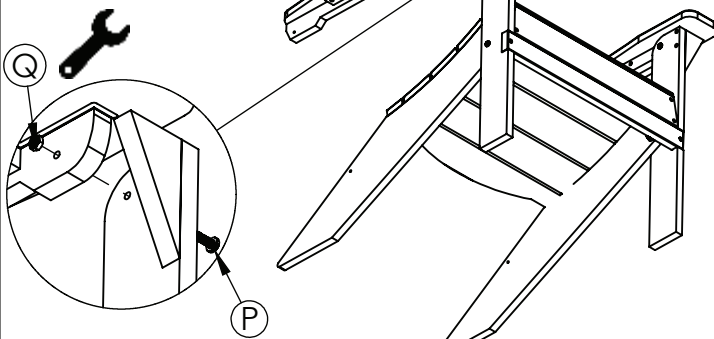
7 (D) X 1

(R) X 2



8 (P) X 2

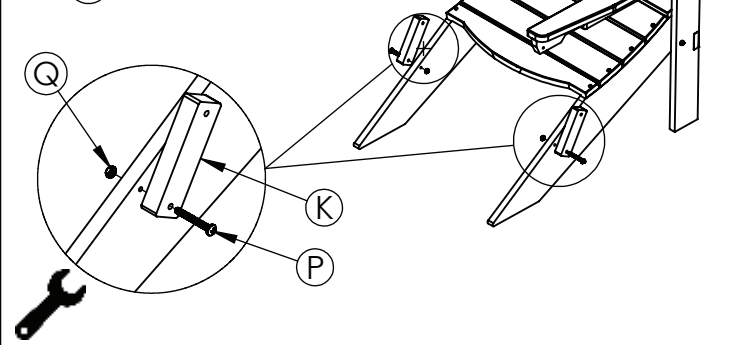
(Q) X 2



9 (K) X 2

(P) X 2

(Q) X 2



NOTE: REPEAT SAME STEP FOR OTHER SIDE.

10 (O) X 2

(P) X 2

(Q) X 4

