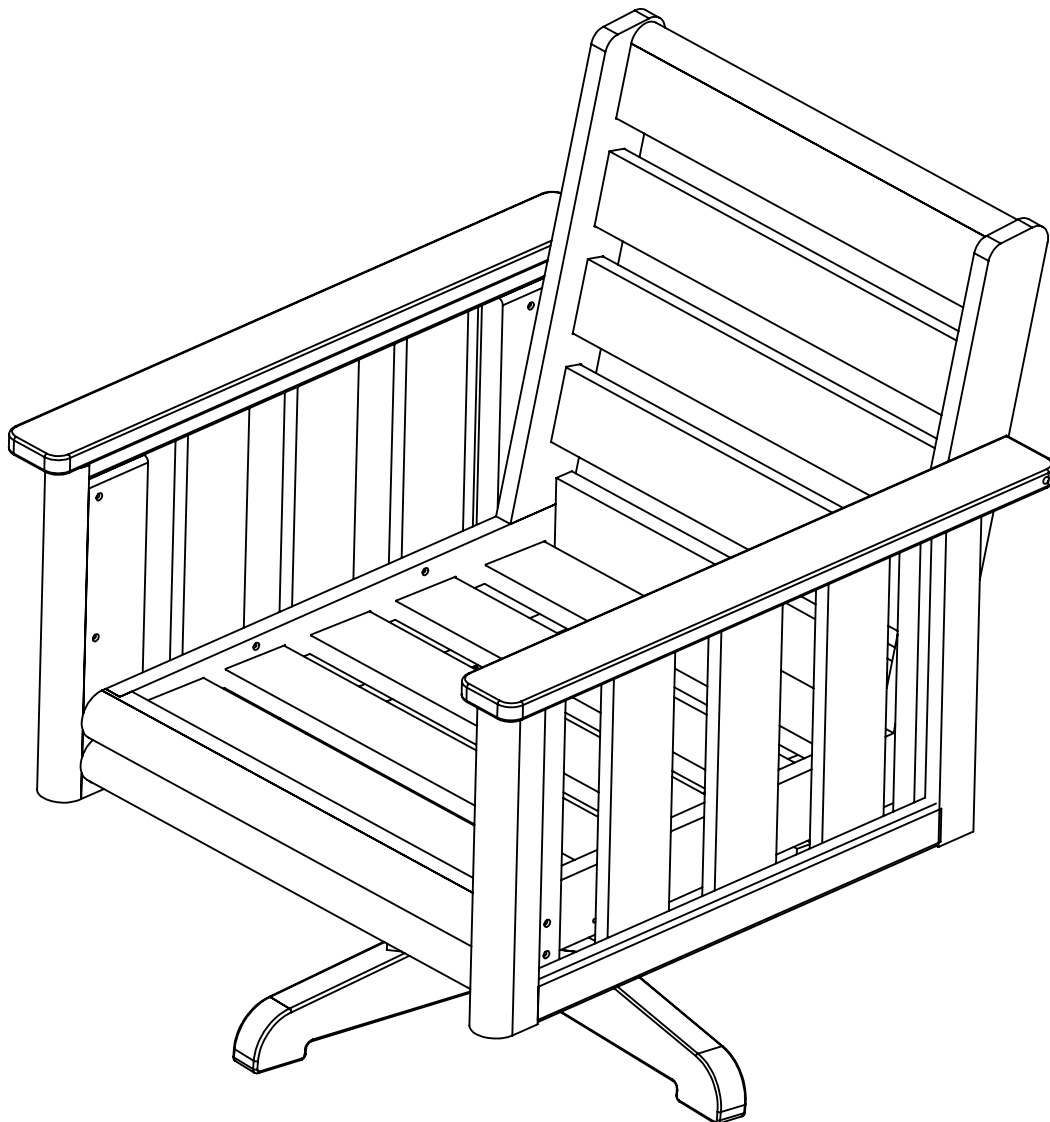




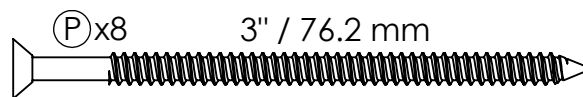
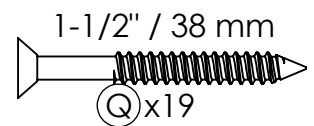
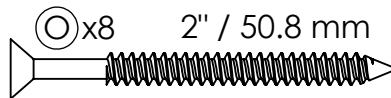
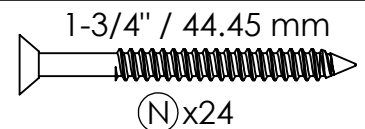
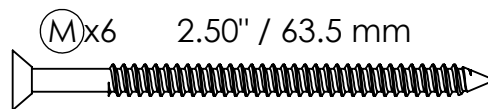
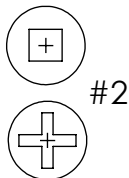
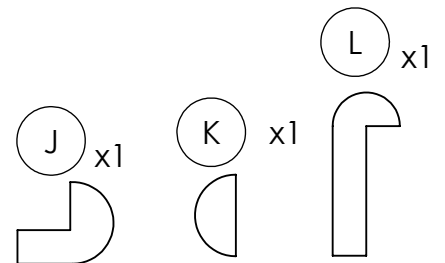
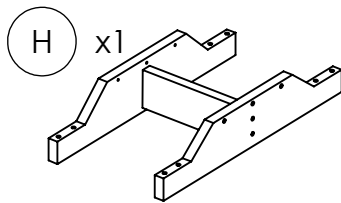
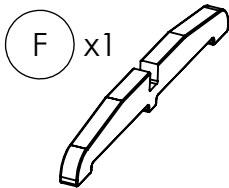
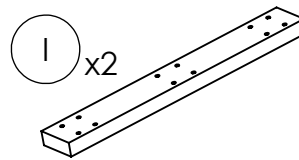
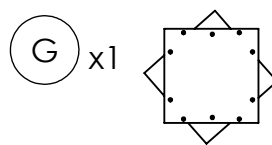
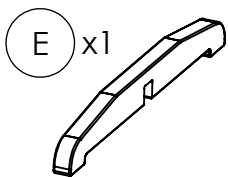
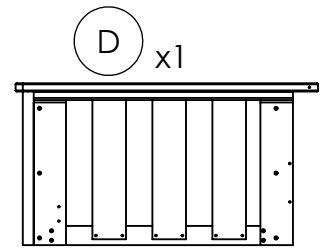
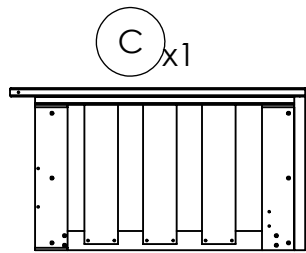
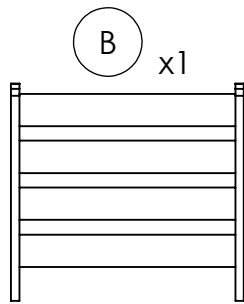
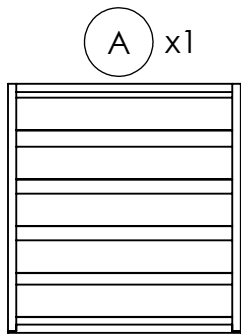
we create sustainable outdoor living

DSF264 - Swivel Armchair



C.R. PLASTIC PRODUCTS

we create sustainable outdoor living



1-866-439-9521



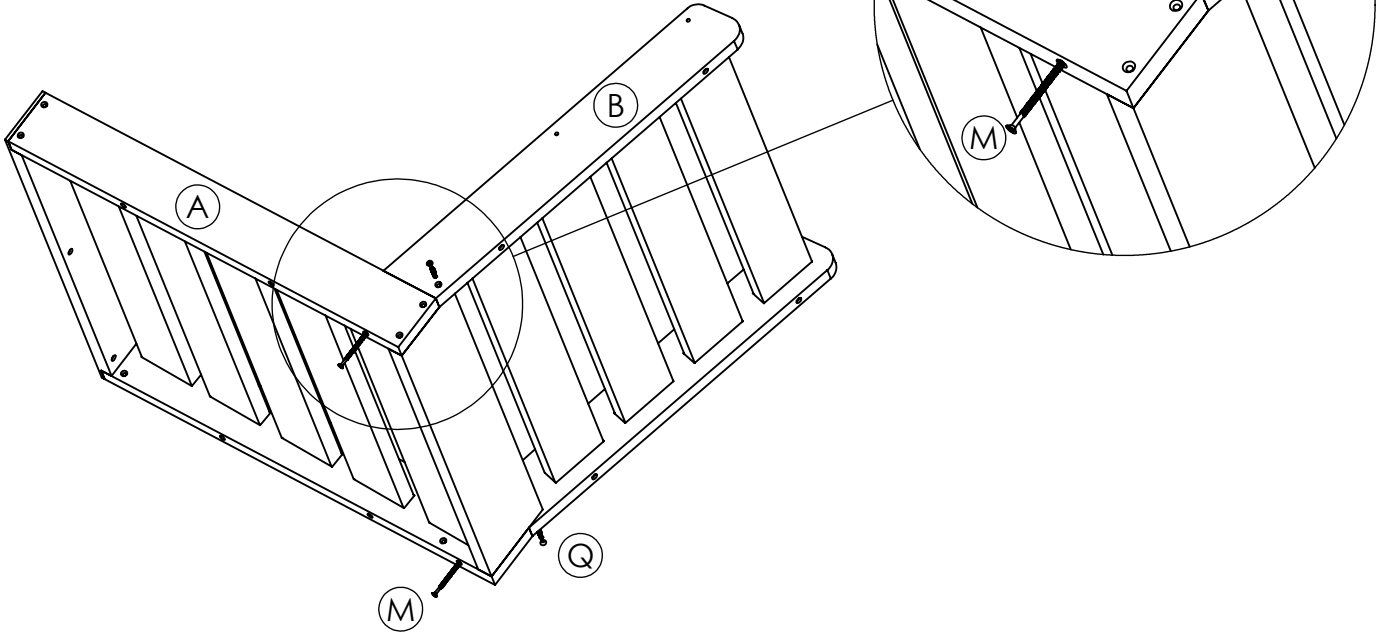
wecare@crplastics.com



www.crpproducts.com

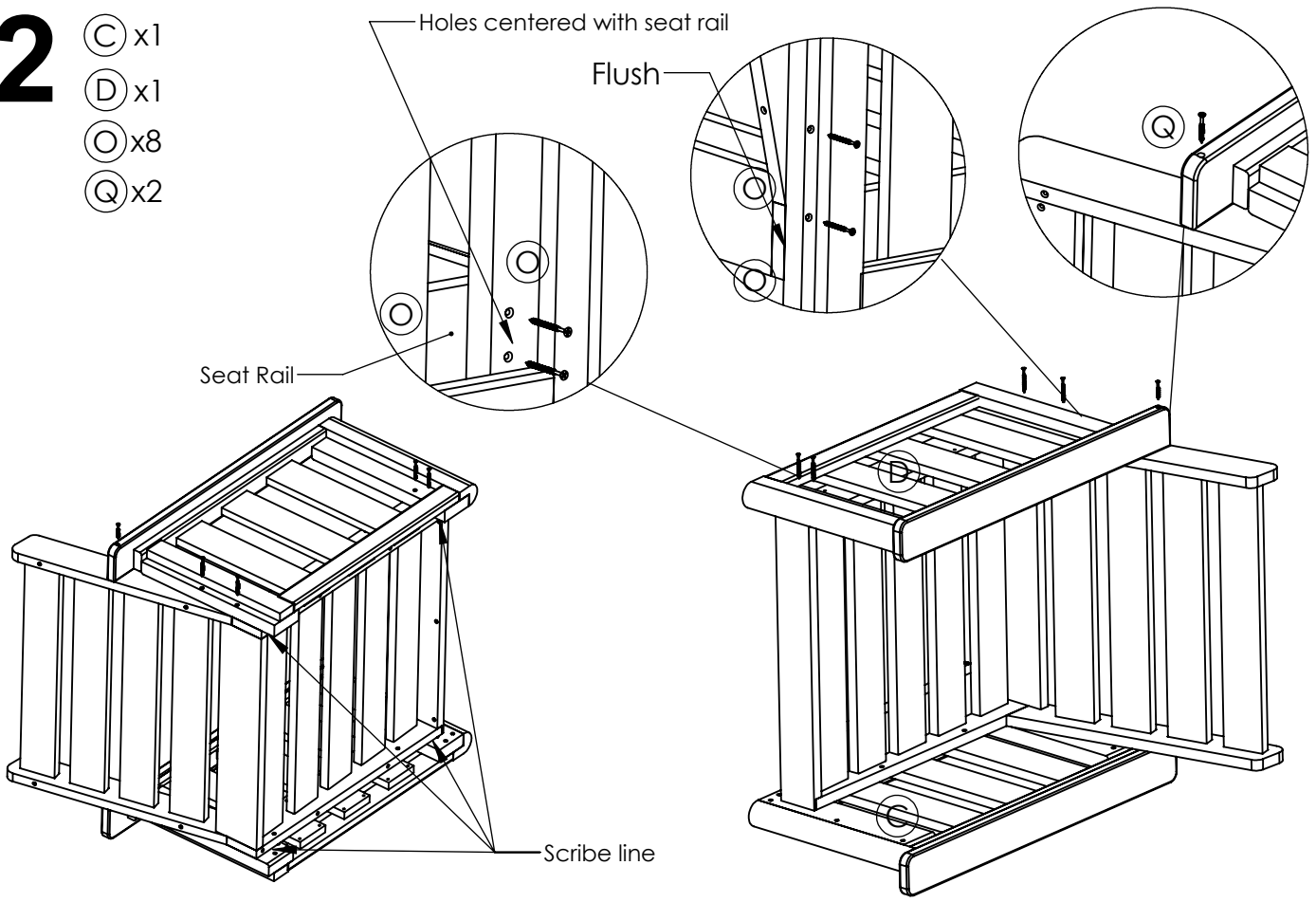
1

- (A) x1
- (B) x1
- (M) x2
- (Q) x2



2

- (C) x1
- (D) x1
- (O) x8
- (Q) x2



3

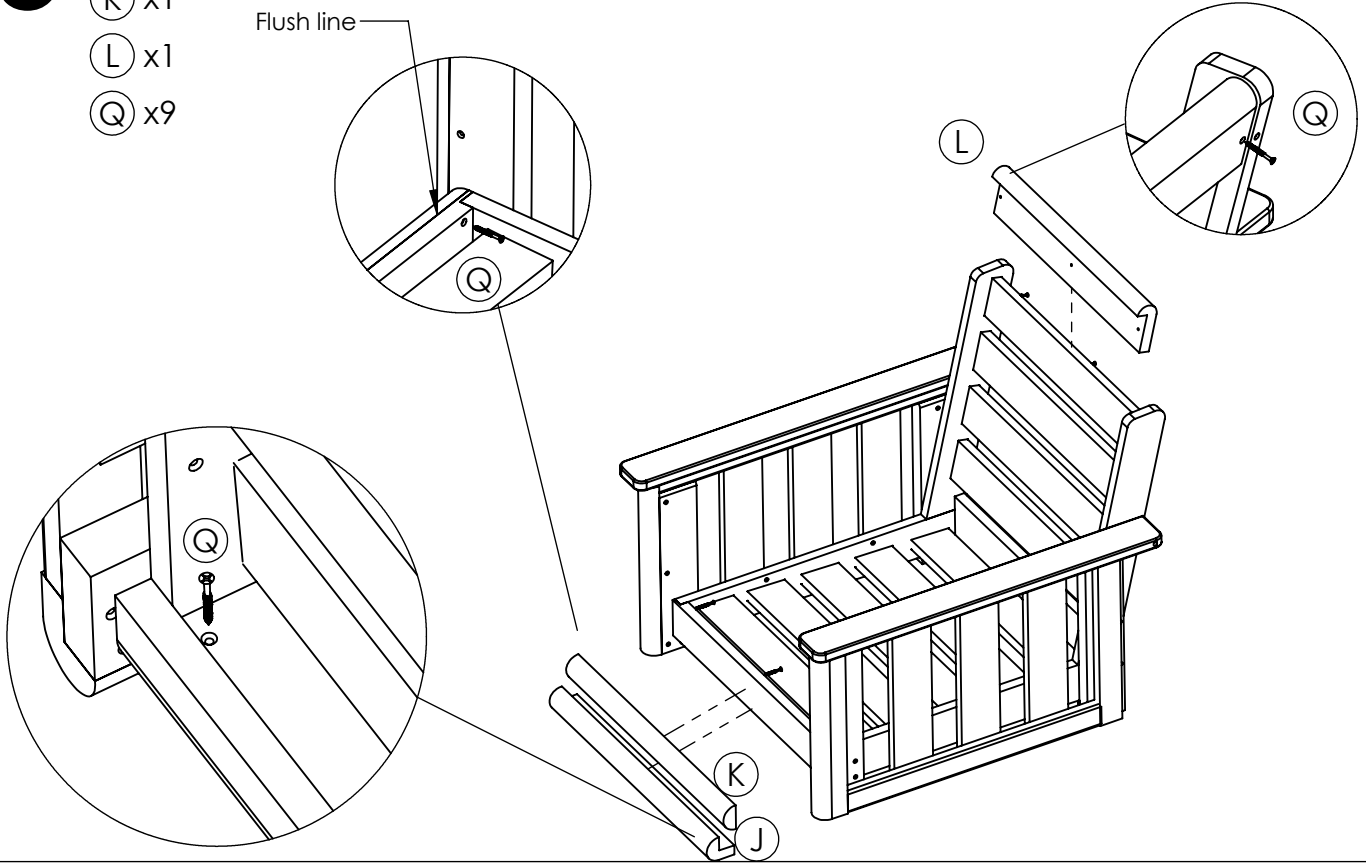
ⓐ x1

ⓑ x1

ⓒ x1

ⓓ x9

Flush line



4

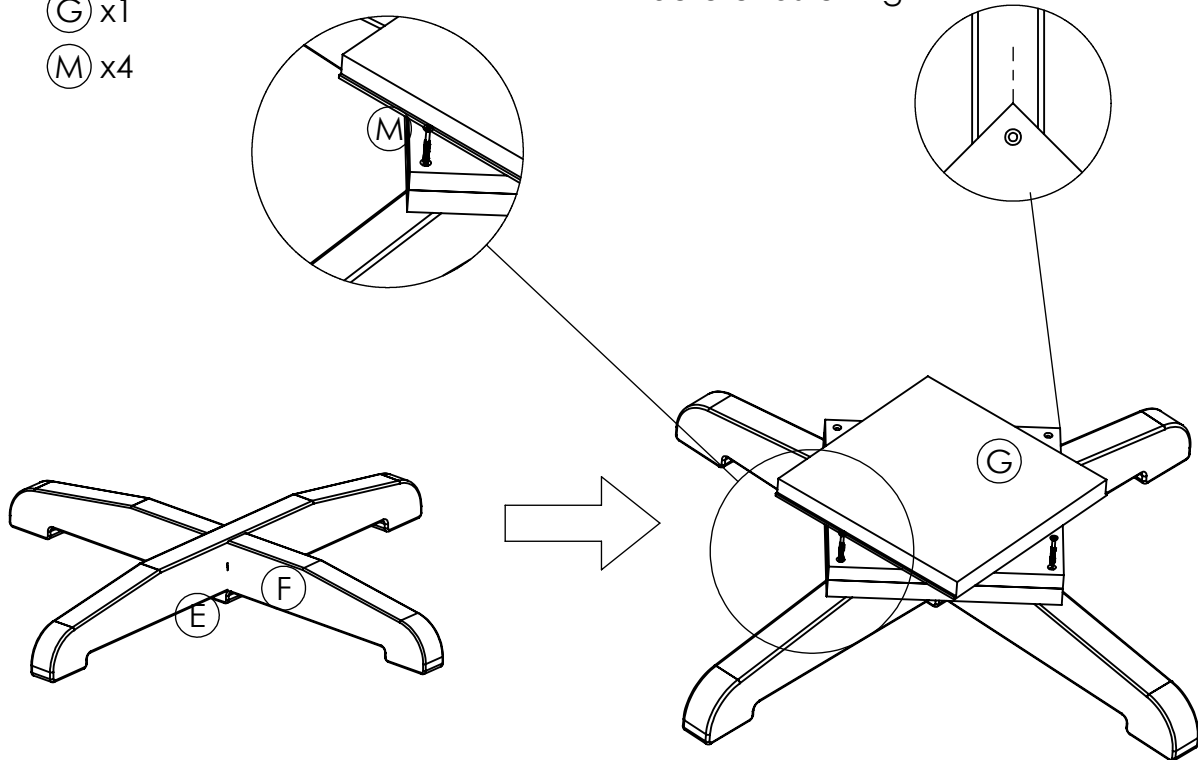
Ⓔ x1

Ⓕ x1

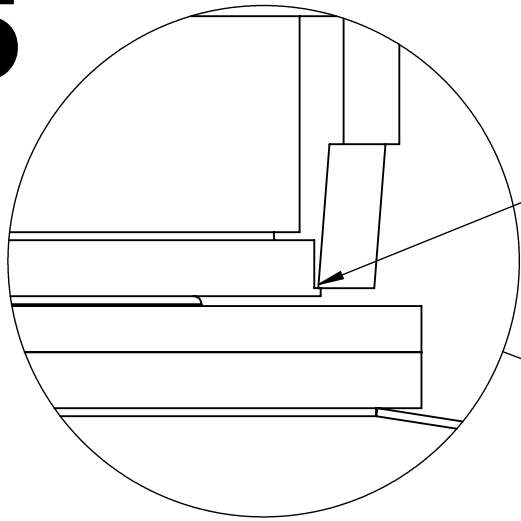
Ⓖ x1

Ⓜ x4

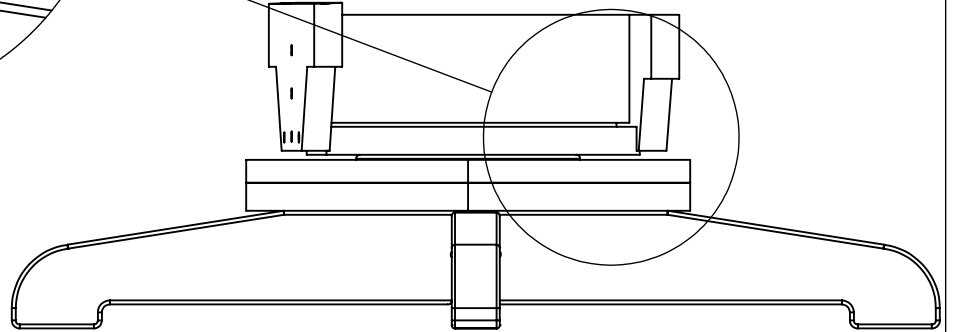
Alignment with center on all 4 corners before fastening



5



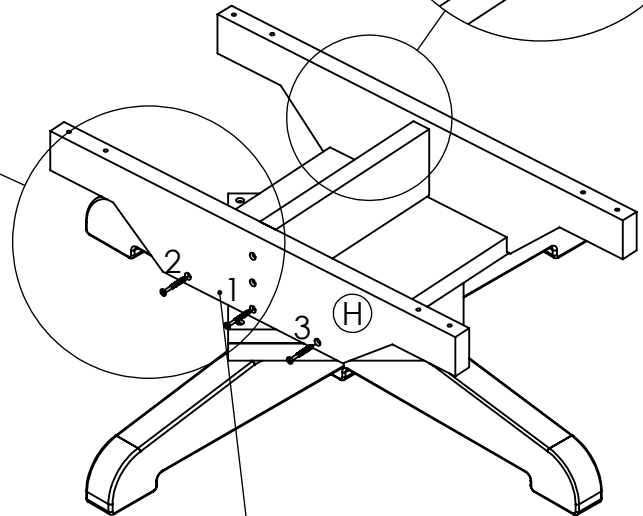
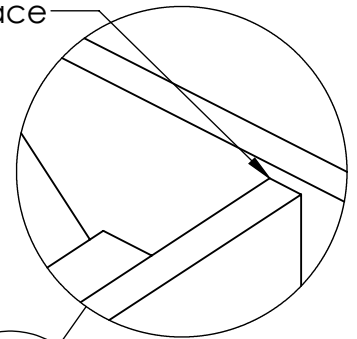
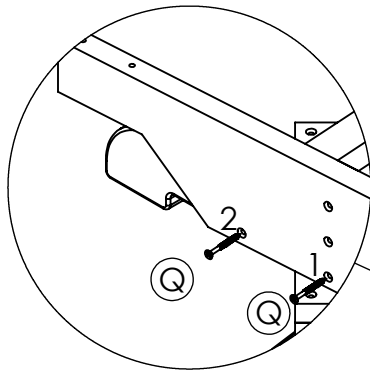
Make sure Brace is on the swivel lip



6

Ⓜ x1
Ⓠ x6

Center the H-Brace

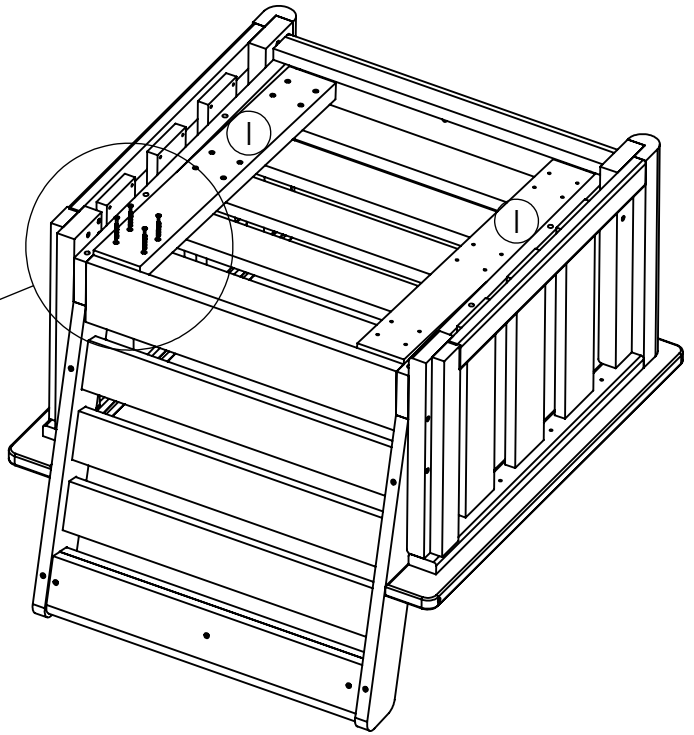
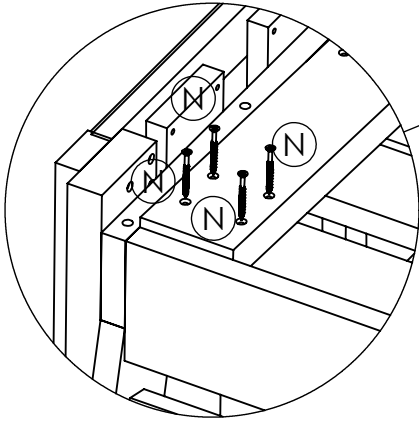


Fastening sequence

7

Ⓛ x2

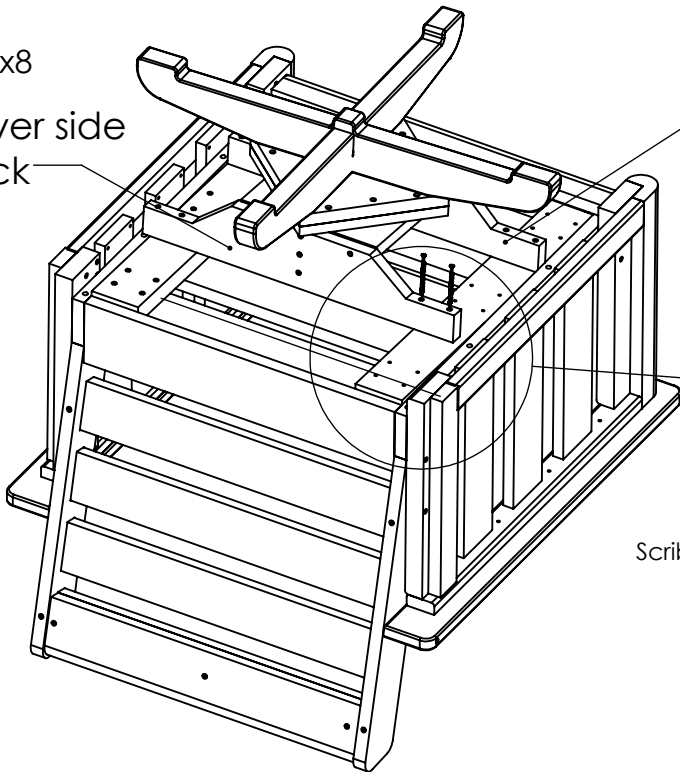
Ⓝ x24



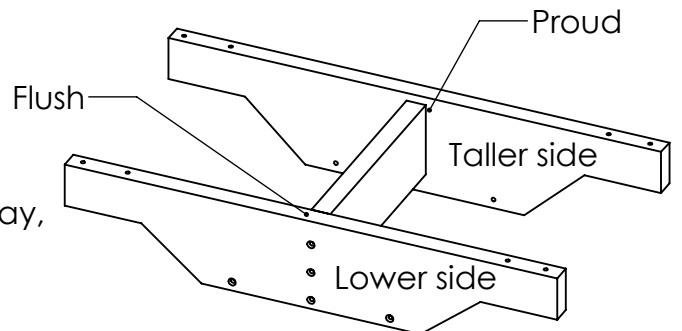
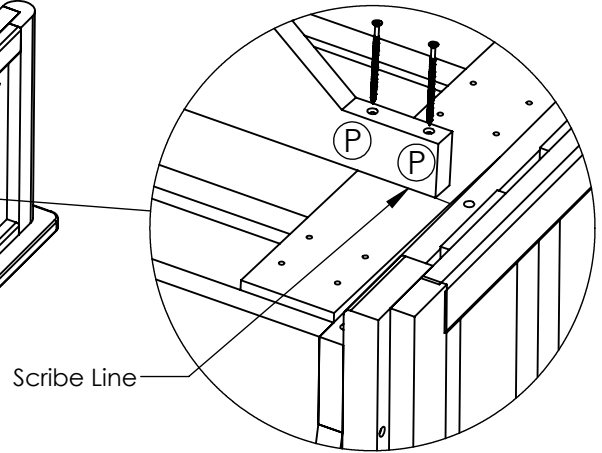
8

Ⓟ x8

Lower side
back



Taller side front



If H-brace attached the wrong way,
the chair will be leaning forward