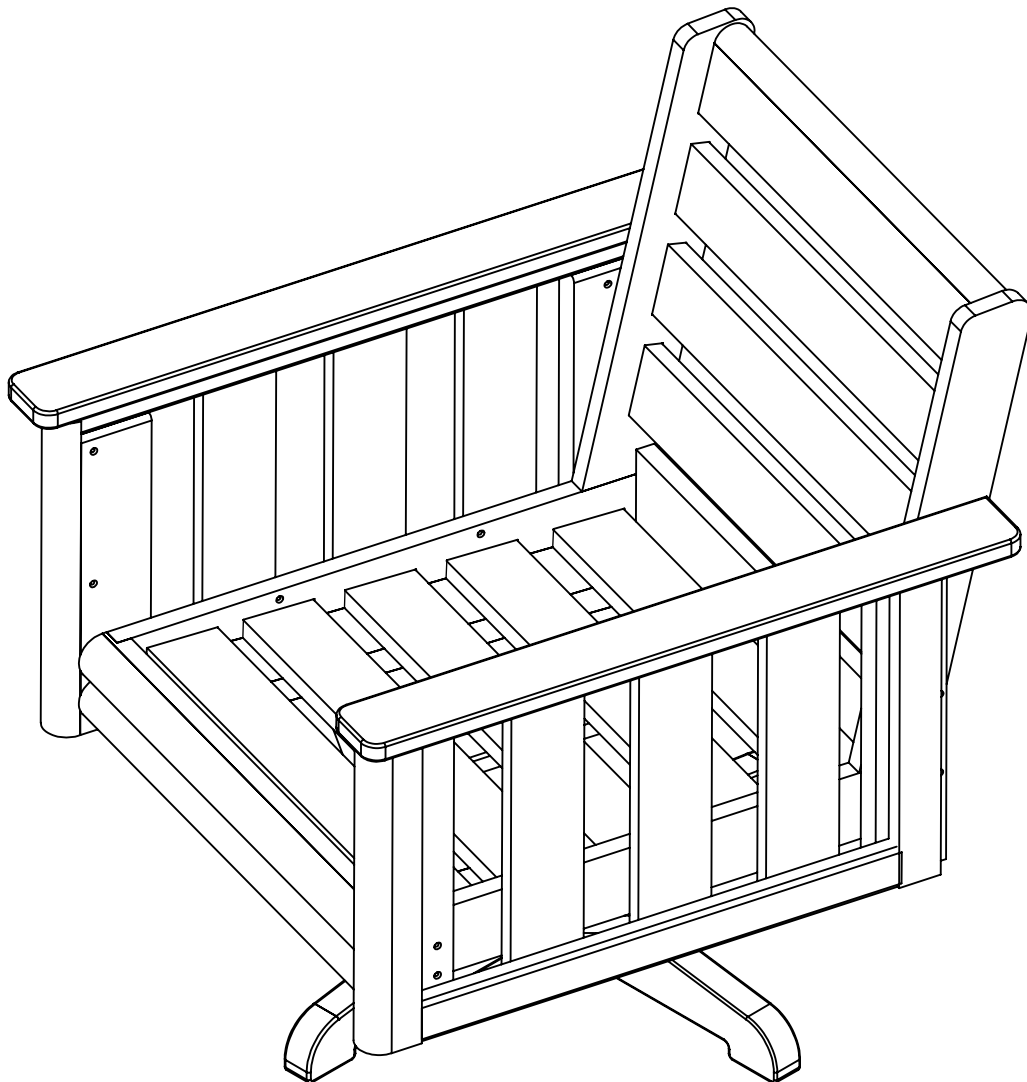


**C.R. PLASTIC
PRODUCTS**

we create sustainable outdoor living

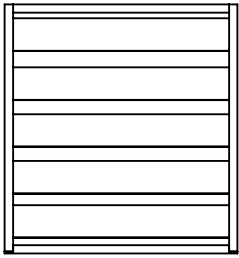
DSF264 - Swivel Armchair



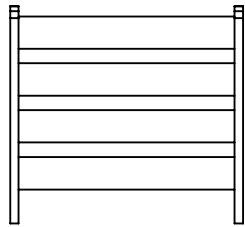
C.R. PLASTIC PRODUCTS

we create sustainable outdoor living

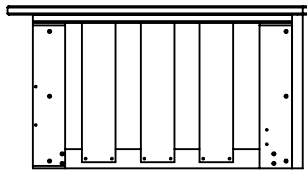
(A) x1



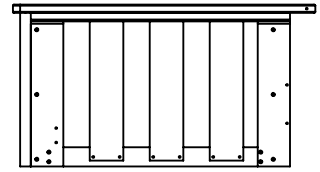
(B) x1



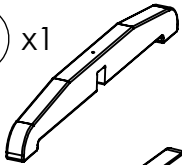
(C) x1



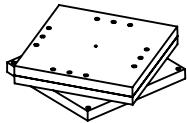
(D) x1



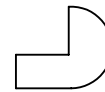
(E) x1



(G) x1



(J) x1



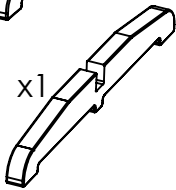
(K) x1



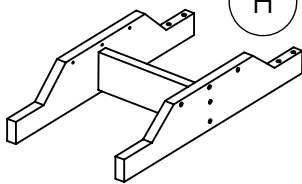
(L) x1



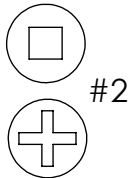
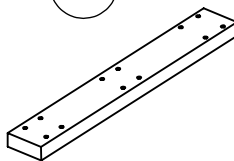
(F) x1



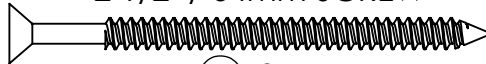
(H) x1



(I) x2

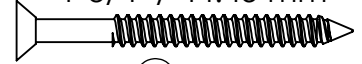


2 1/2" / 64mm SCREW



(M) x2

1-3/4" / 44.45 mm



(N) x24

2" / 50.8 mm



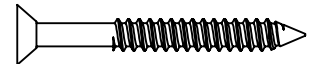
(O) x8

3" / 76.2 mm



(P) x8

1-1/2" / 38 mm



(Q) x23



1-866-439-9521



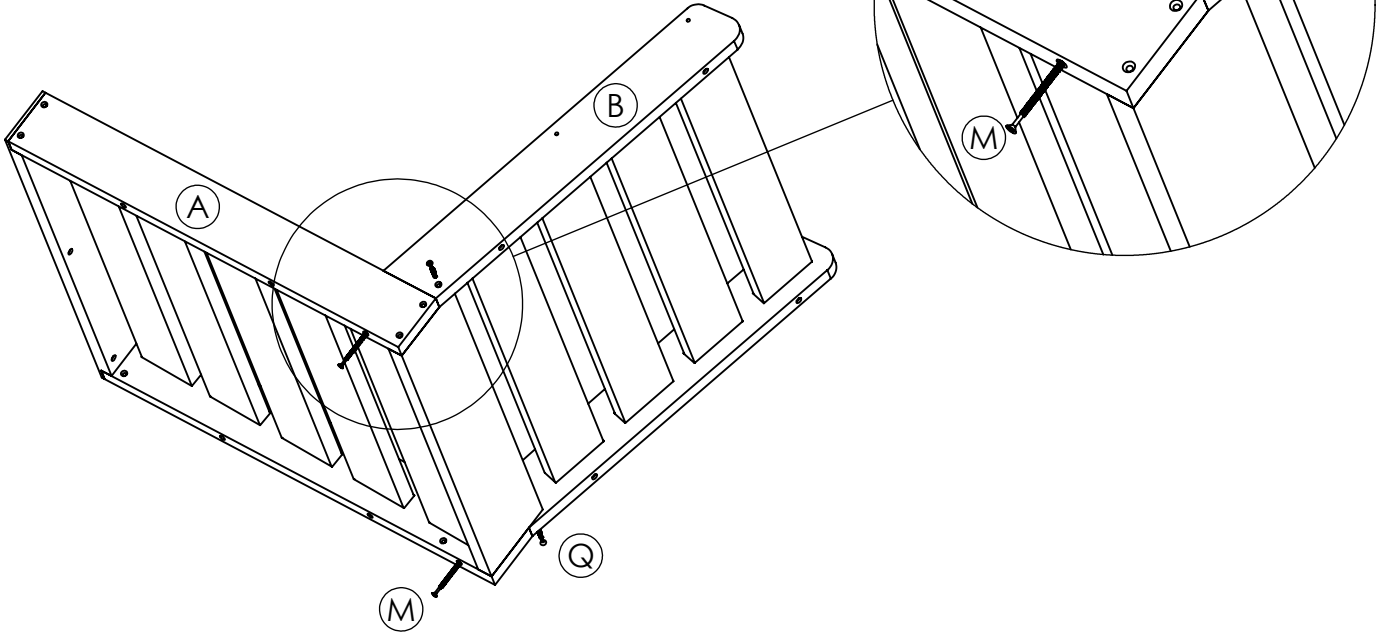
wecare@crplastics.com



www.crpproducts.com

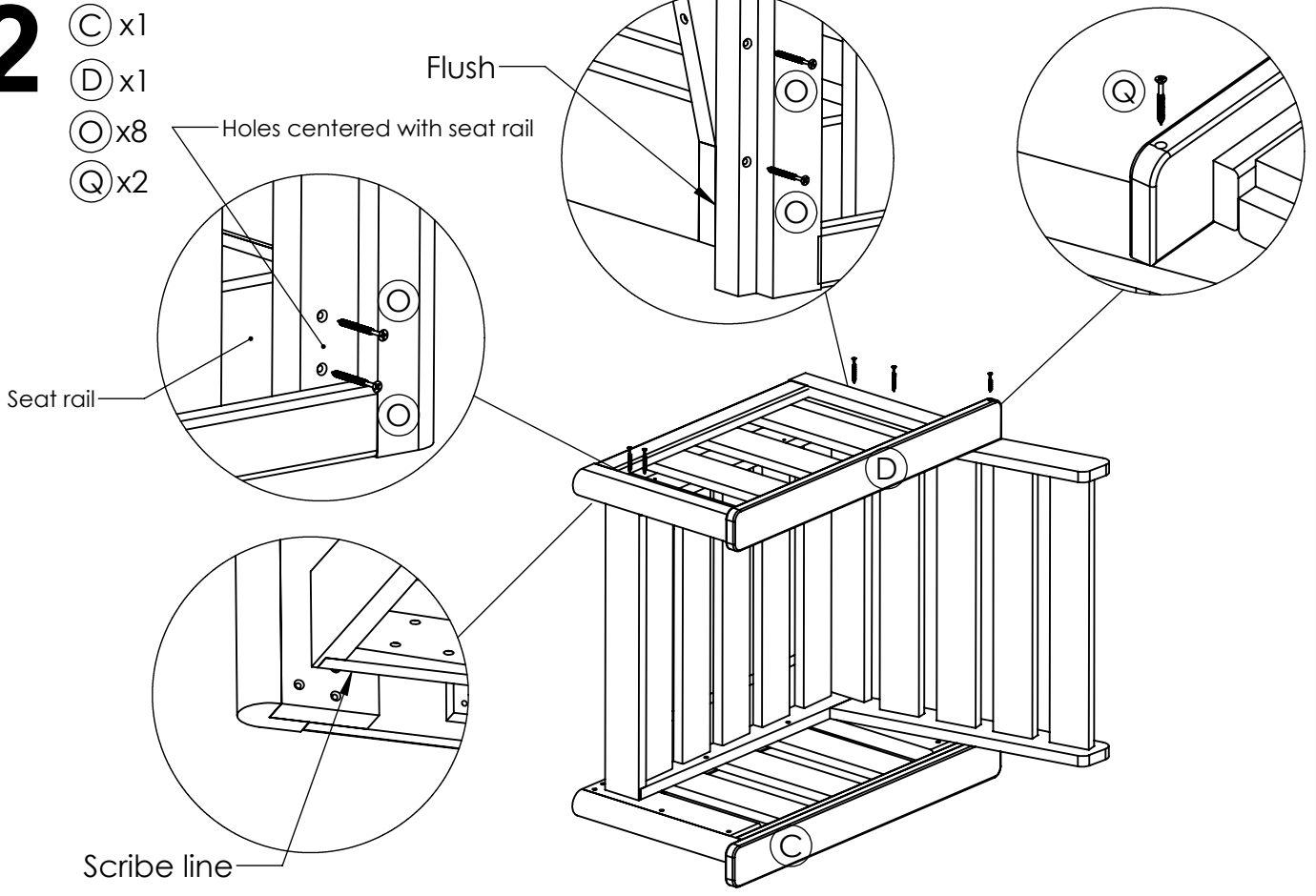
1

- (A) x1
- (B) x1
- (M) x2
- (Q) x2



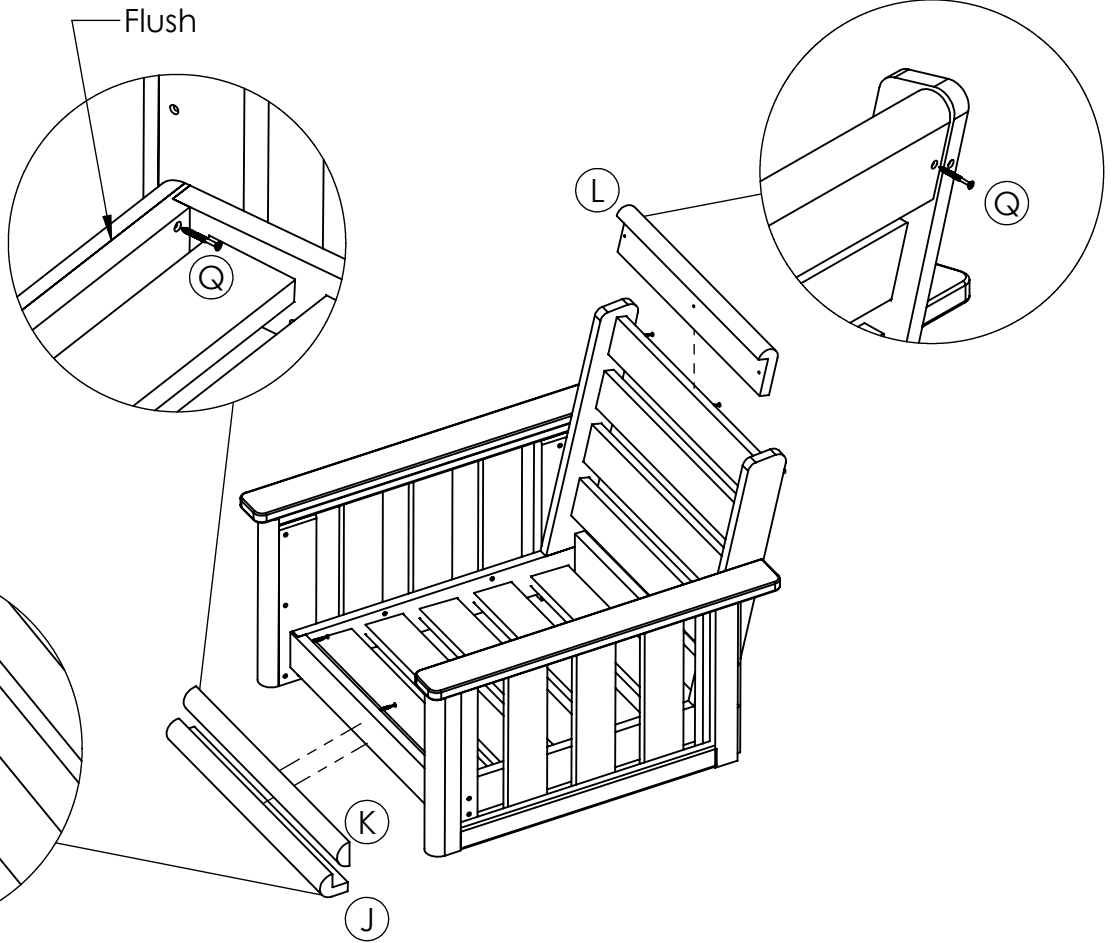
2

- (C) x1
- (D) x1
- (O) x8
- (Q) x2



3

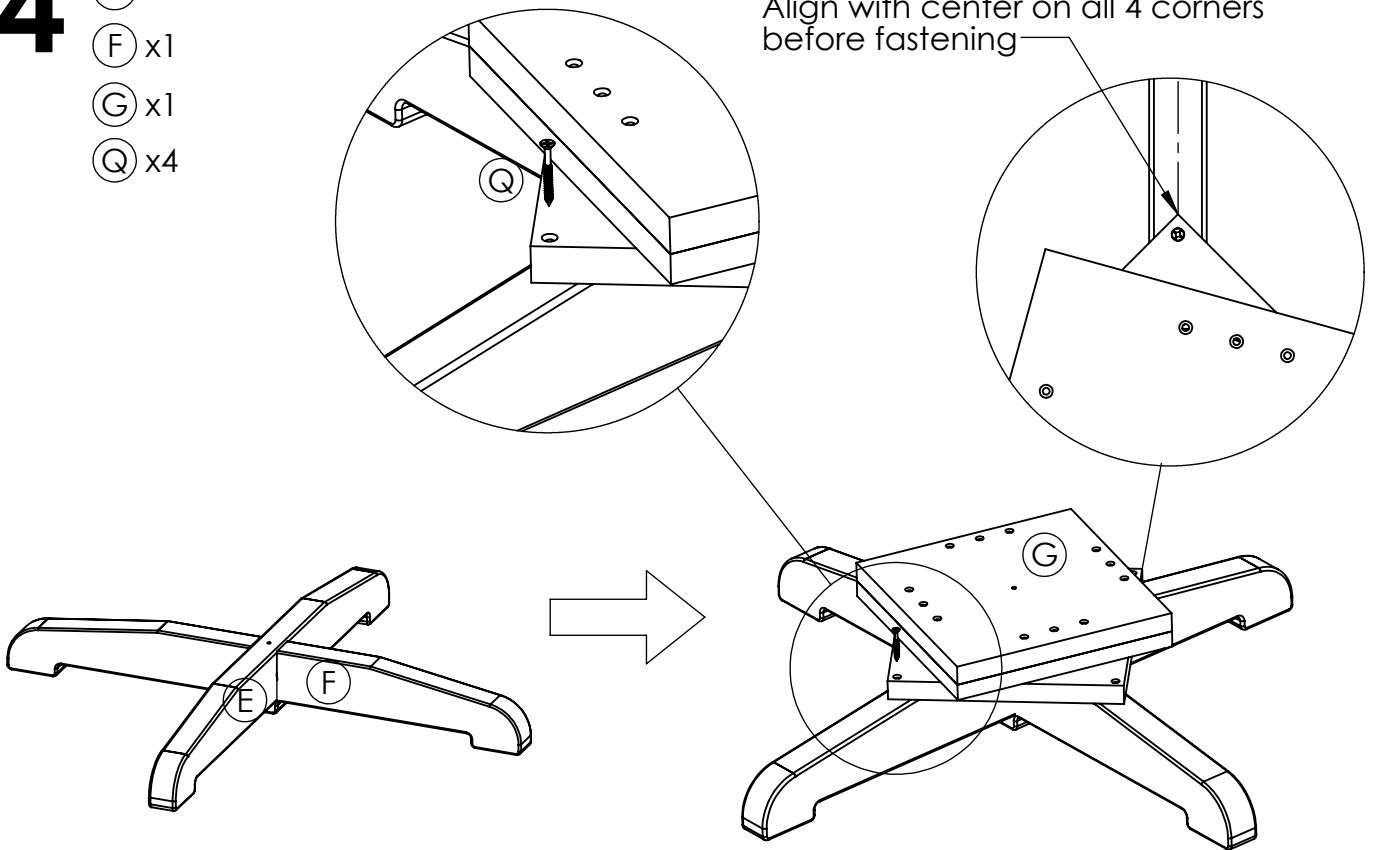
- ⓐ x1
- ⓑ x1
- ⓒ x1
- ⓓ x9



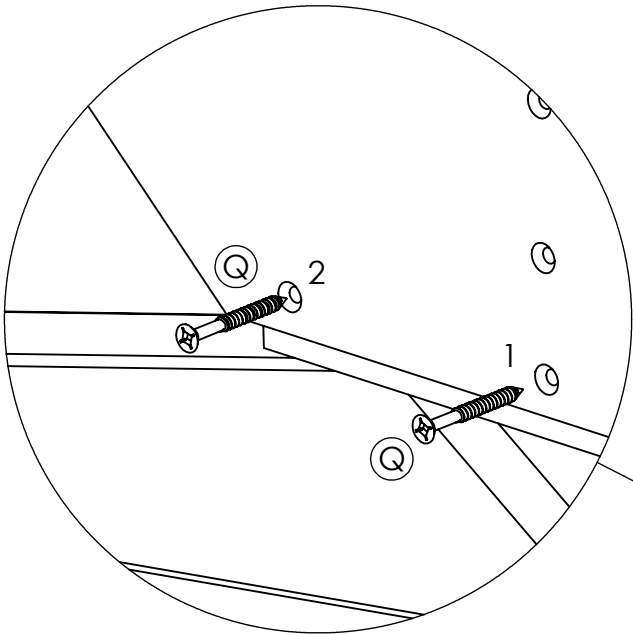
4

- Ⓔ x1
- Ⓕ x1
- Ⓖ x1
- ⓓ x4

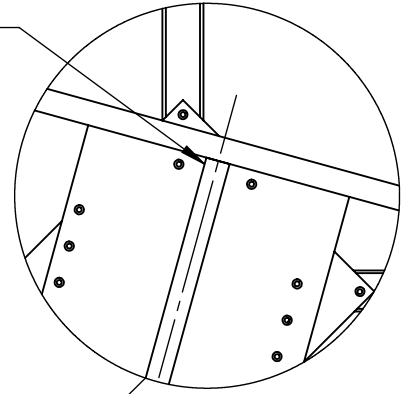
Align with center on all 4 corners before fastening



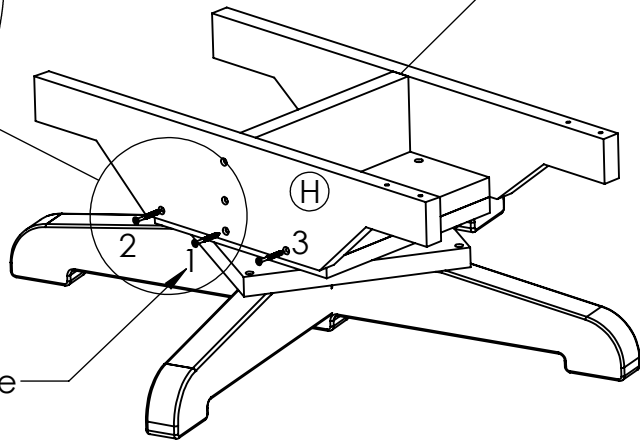
5 (H) x1
(Q) x6



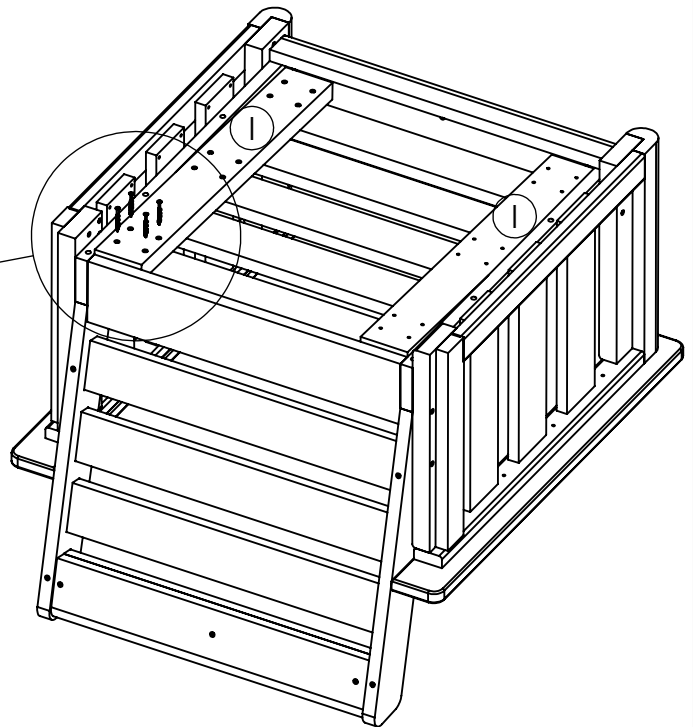
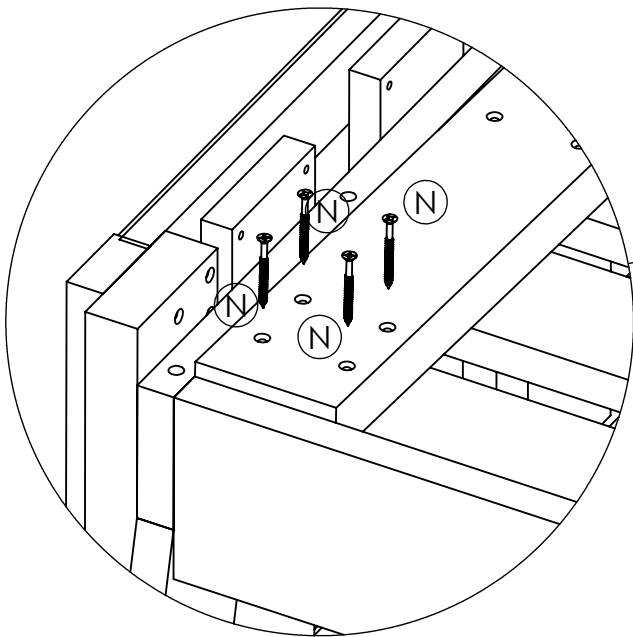
Center the H-Brace



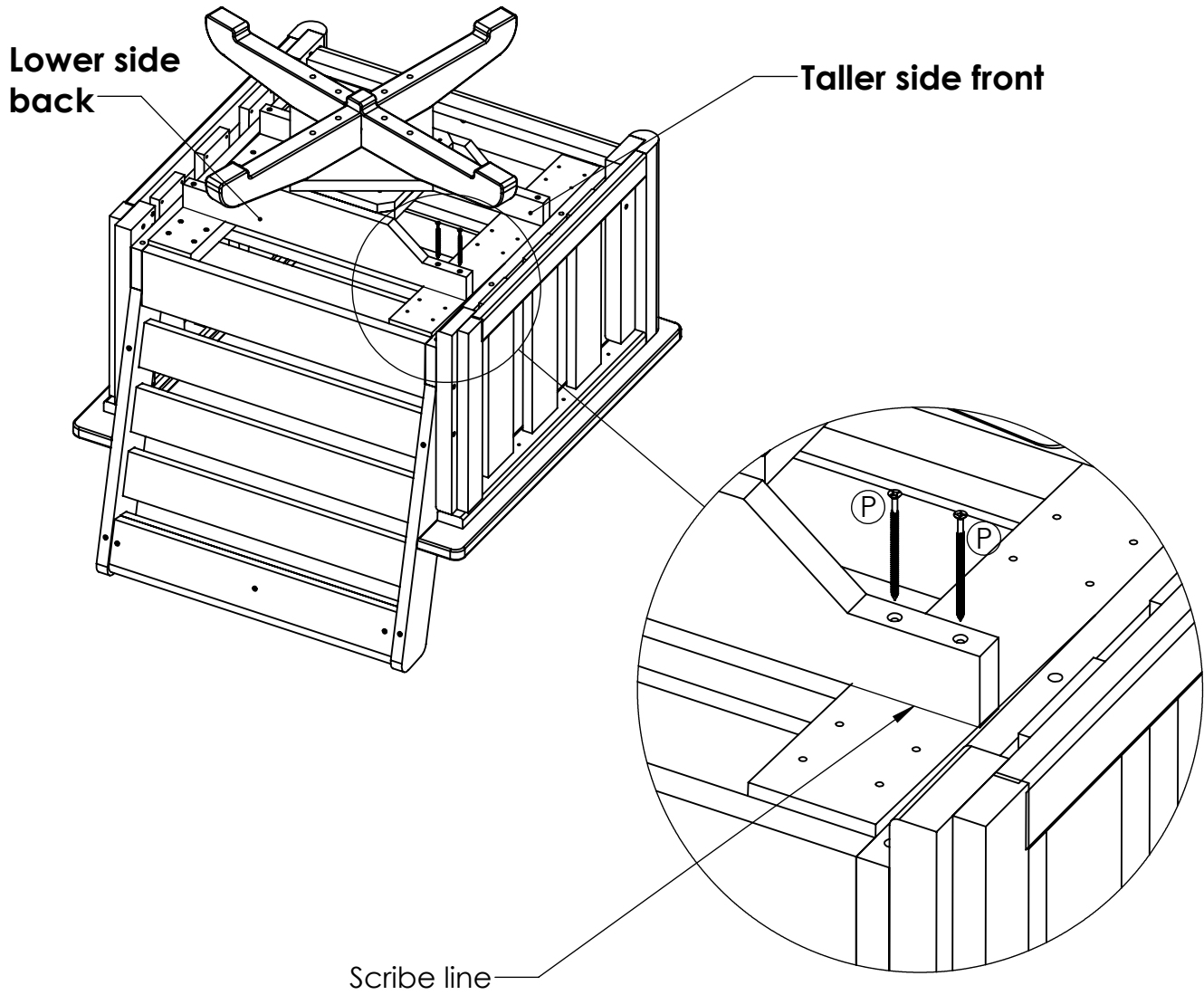
Fastening sequence



6 (I) x2
(N) x24



7 P x8



 **If H-brace attached the wrong way, the chair will be leaning forward**

