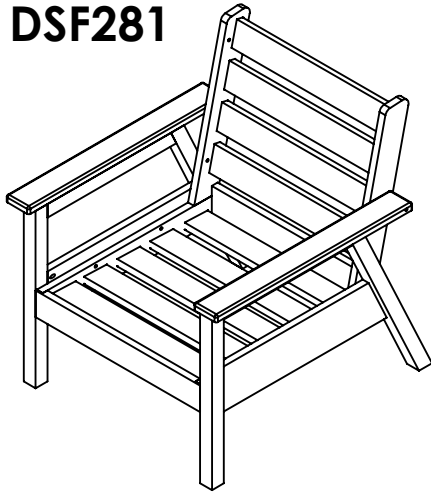




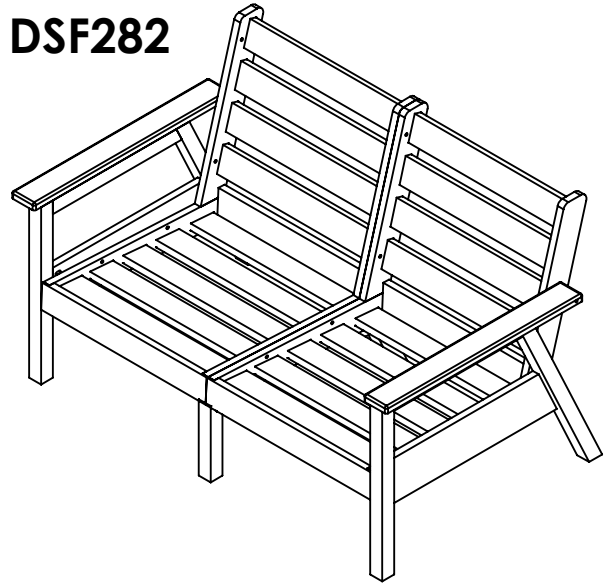
we create sustainable outdoor living

TOFINO DEEP SEATING COLLECTION

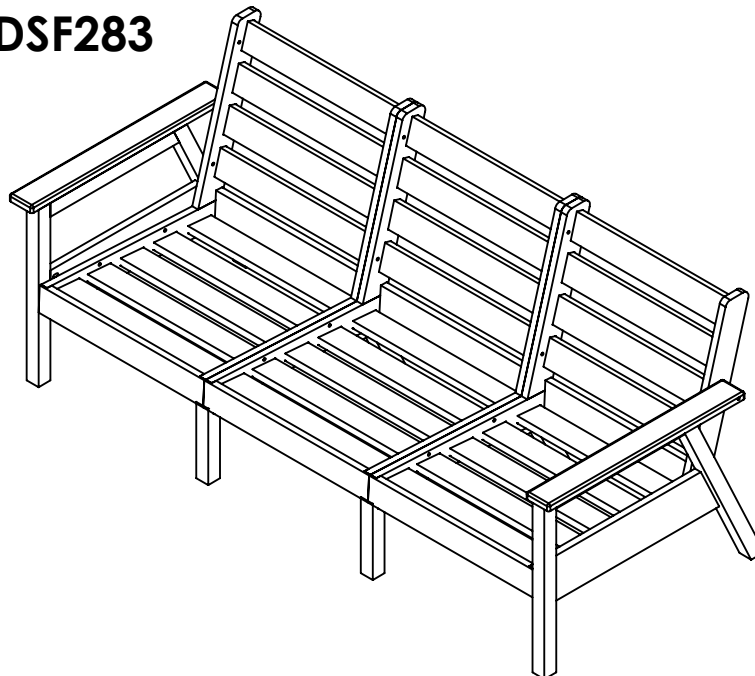
DSF281



DSF282



DSF283



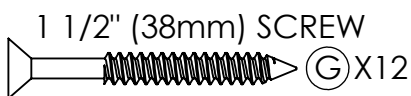
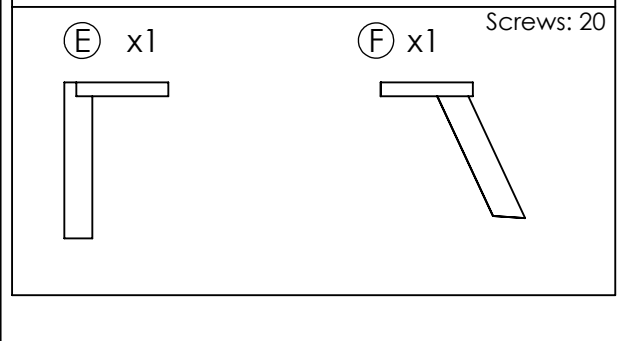
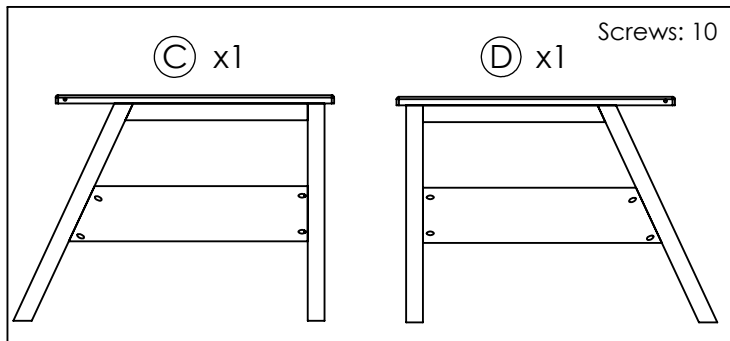
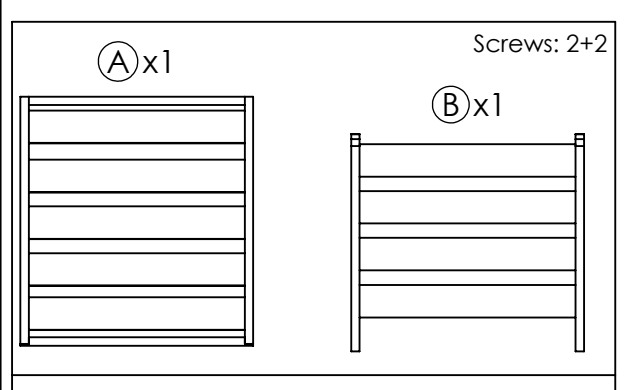
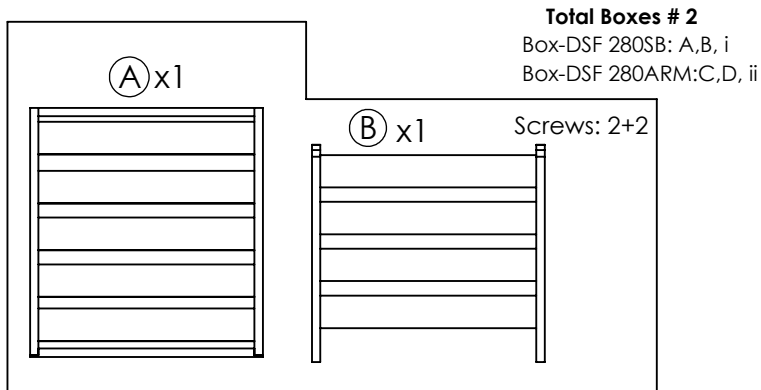
C.R. PLASTIC PRODUCTS

we create sustainable outdoor living

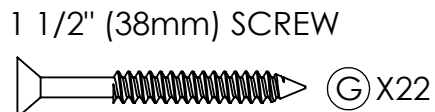
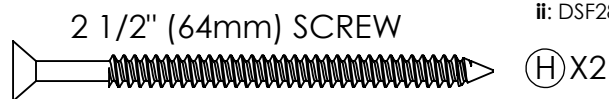
DSF 281

DSF 285

(expansion kit for DSF282 & DSF283 only)



Total Screw Packs # 2
 i: DSF280SB
 ii: DSF280ARM



#2



PLEASE USE 6" DRIVER BITS



1-866-439-9521



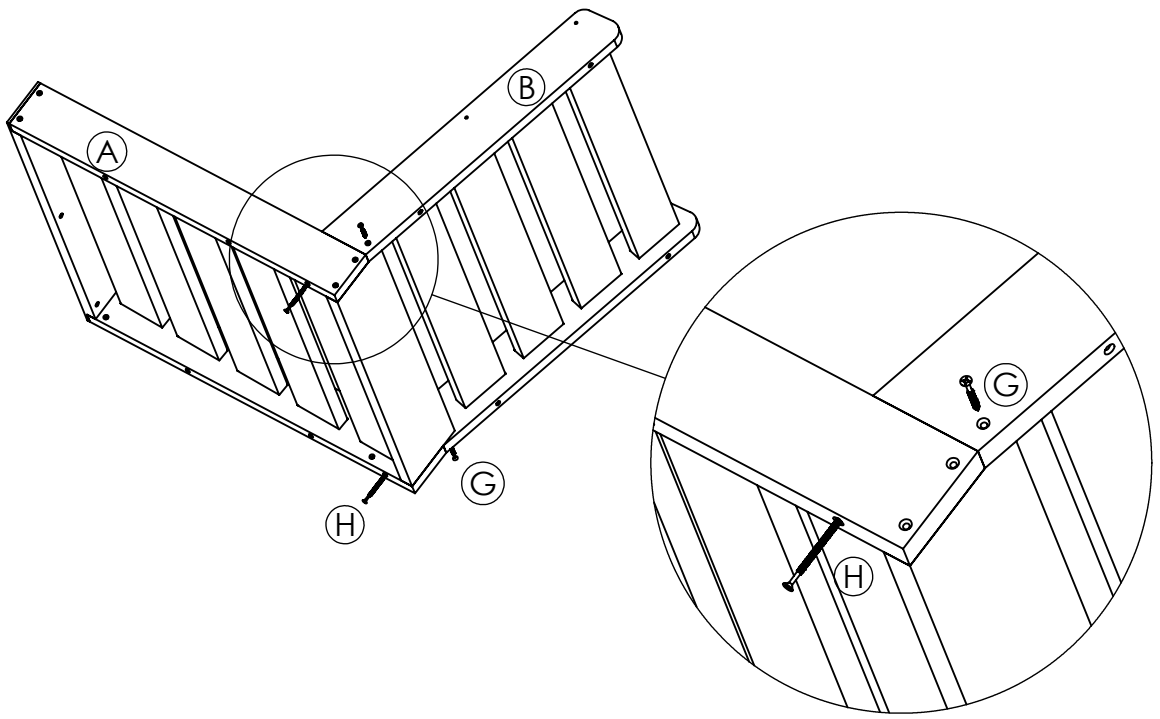
wecare@crplastics.com



www.crpproducts.com

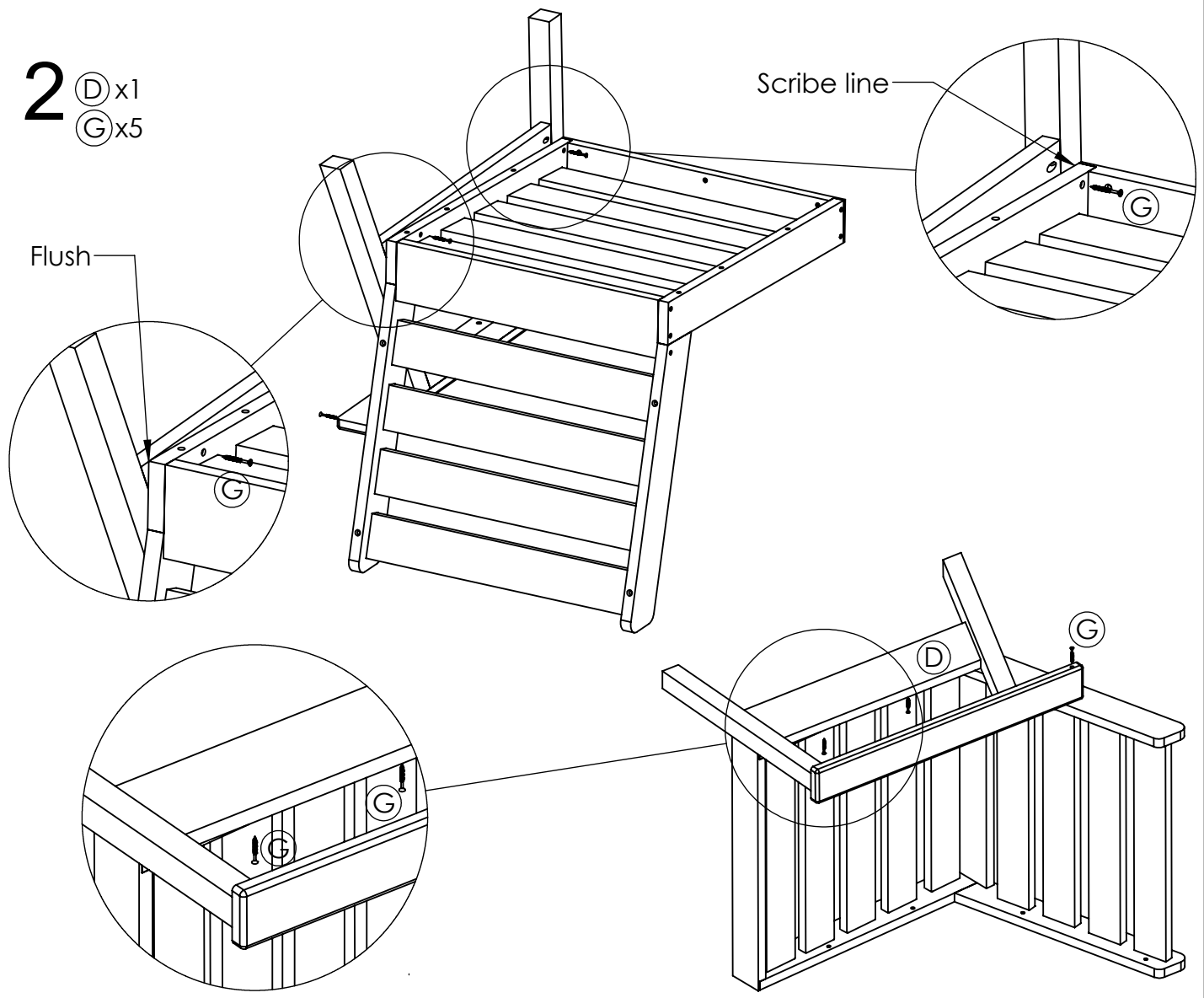
1

- (A) x1
- (B) x1
- (G) x2
- (H) x2



2

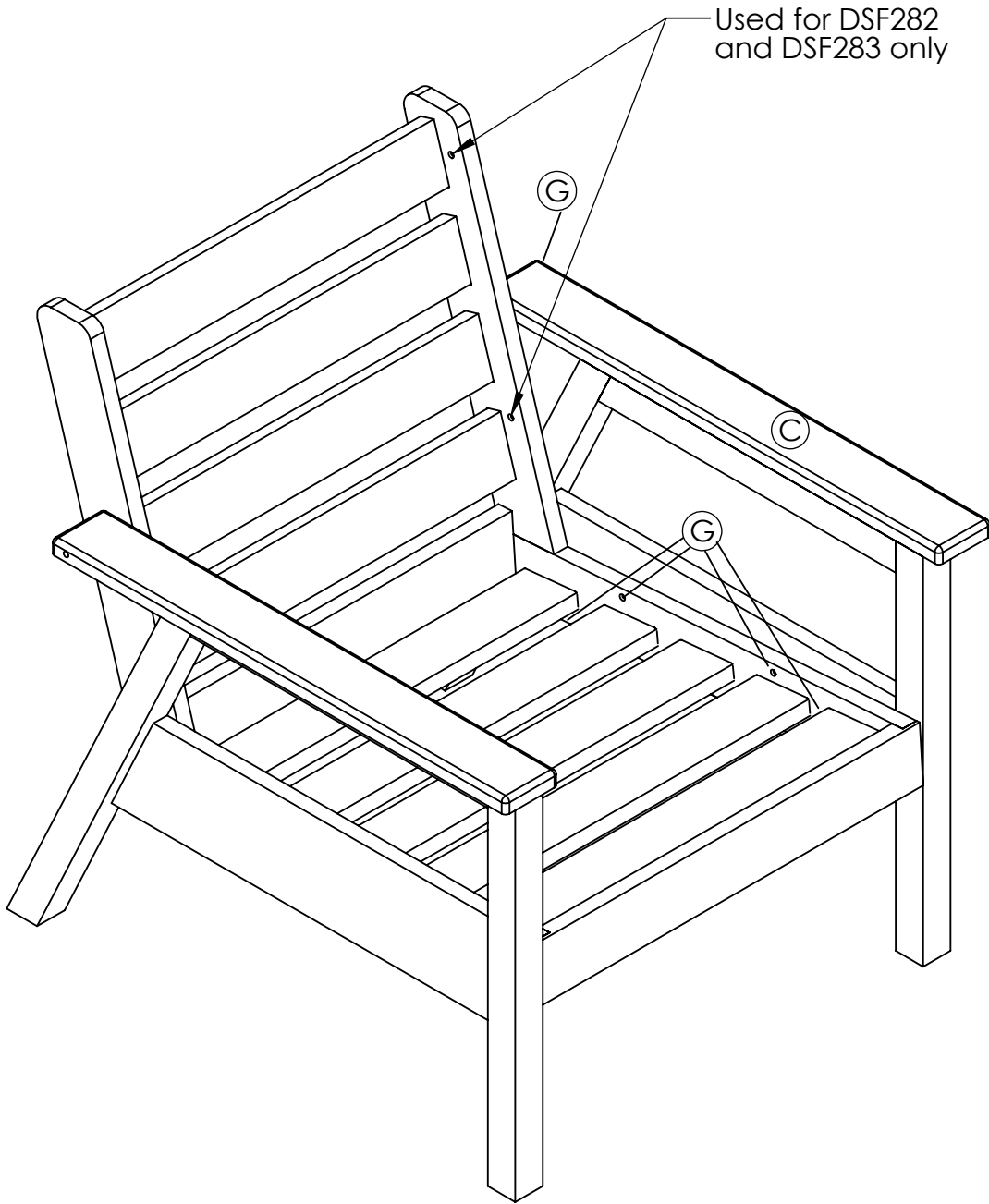
- (D) x1
- (G) x5



3

Ⓢ x1
Ⓜ x5

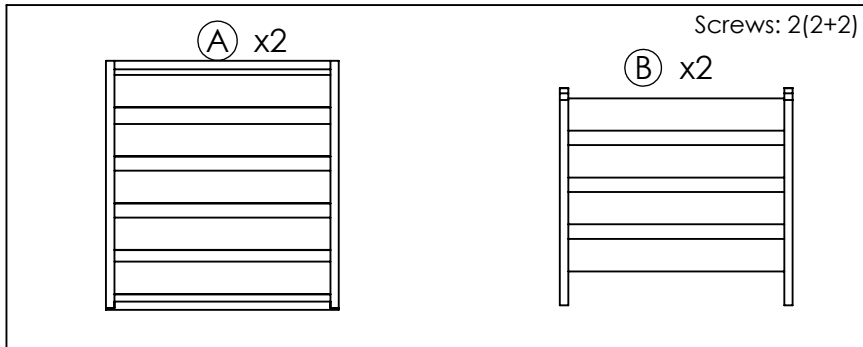
Repeat step 2 to attach the other arm



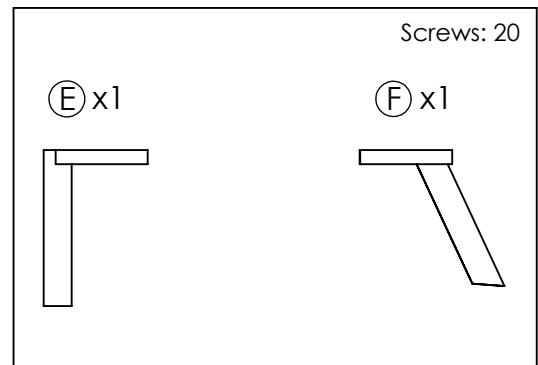
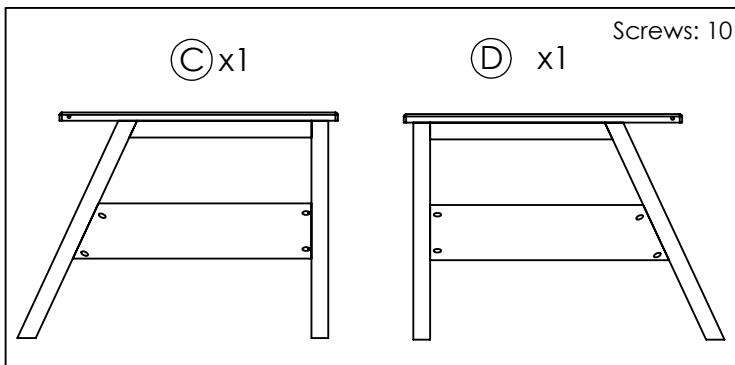
C.R. PLASTIC PRODUCTS

we create sustainable outdoor living

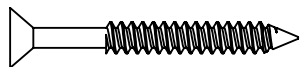
DSF 282 (DSF281 + DSF285)



Total Boxes # 4
2XBox-DSF 280SB: A,B, i
1XBox-DSF 280ARM:C,D, ii
1XBox-DSF285CL: E,F,iii

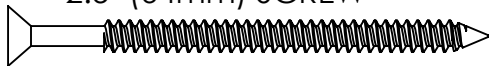


1 1/2" (38mm) SCREW



Ⓒ 12 + 22 = 34

2.5" (64mm) SCREW



Ⓗ 2 + 2 = 4

Total Screw Packs # 4
i: DSF280SB
ii: DSF280ARM
iii: DSF285CL



PLEASE USE 6" DRIVER BITS

#2



1-866-439-9521



wecare@crplastics.com



www.crpproducts.com

1

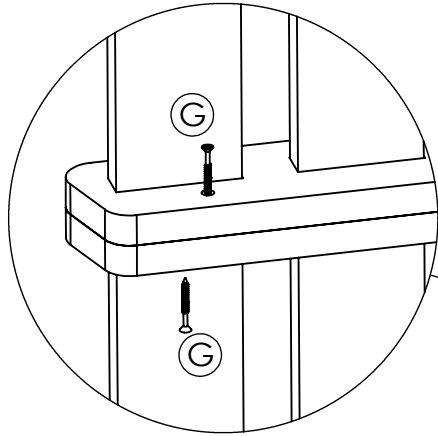
(A) x2 (D) x1

(B) x2

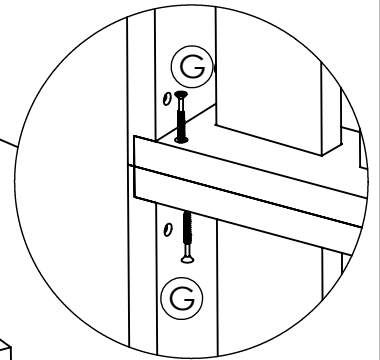
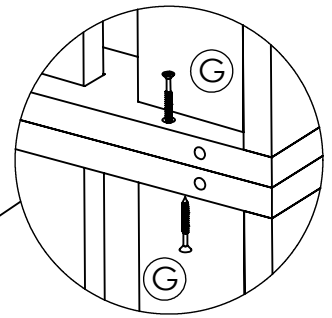
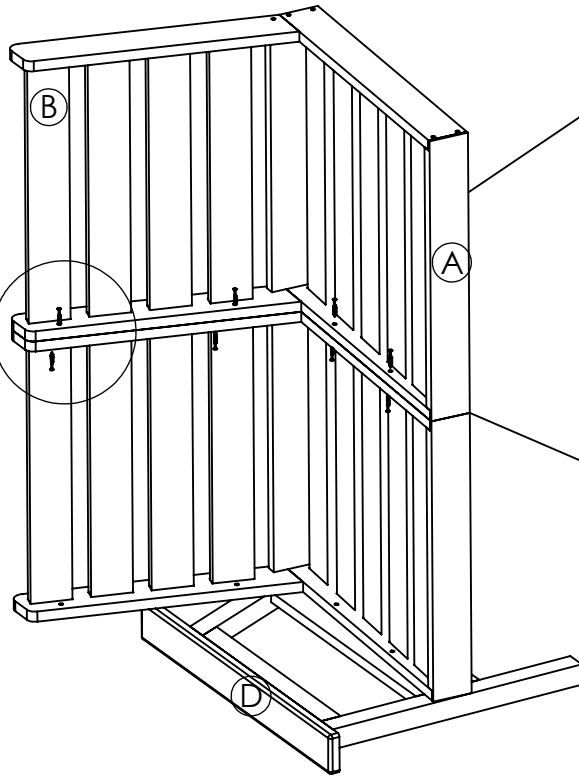
(G) x21

(H) x4

Repeat DSF281 step 1 to build 2 seats and backs
Repeat DSF281 step 2 to attach 1 arm



FRONT



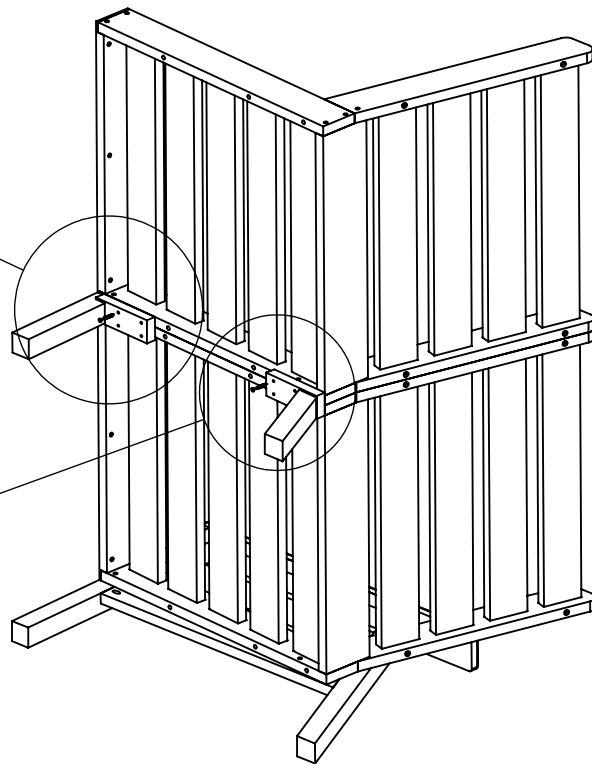
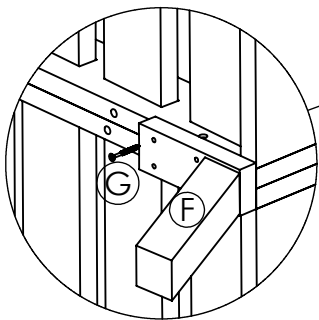
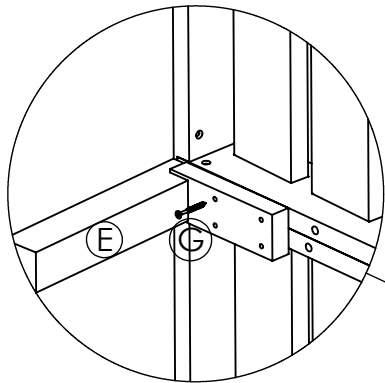
BACK

2

(E) x1

(F) x1

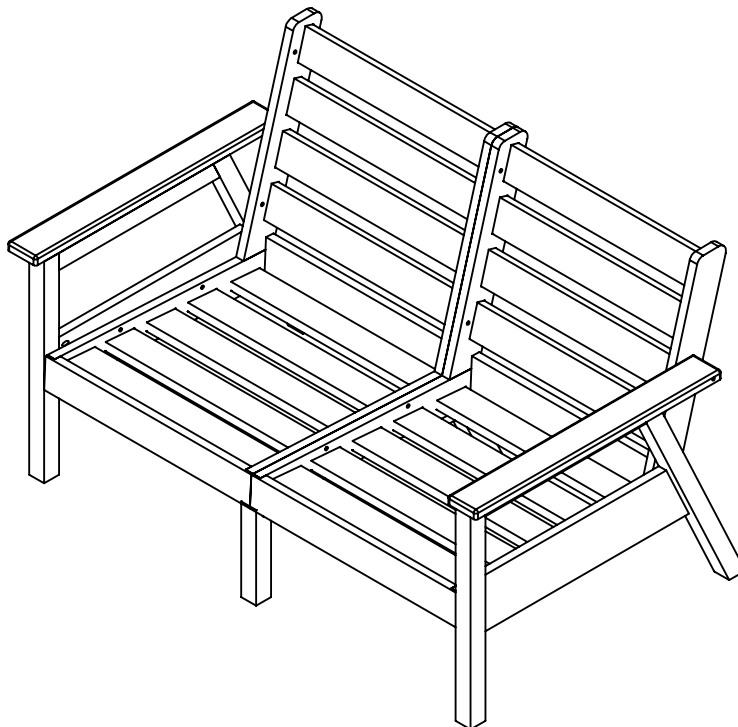
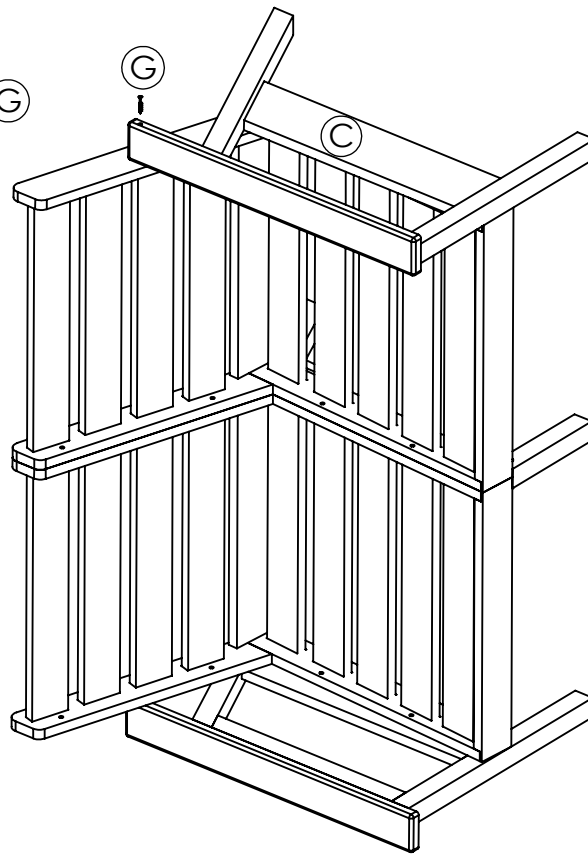
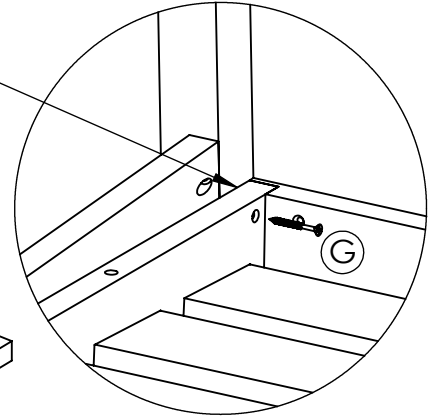
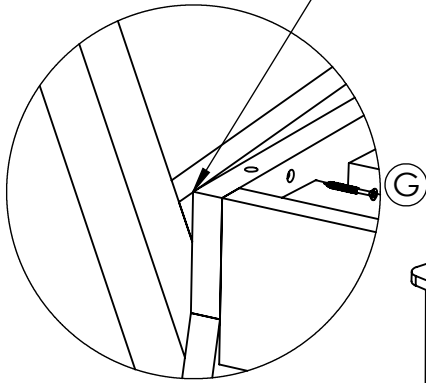
(G) x8



3 © x1
© x5

Flush

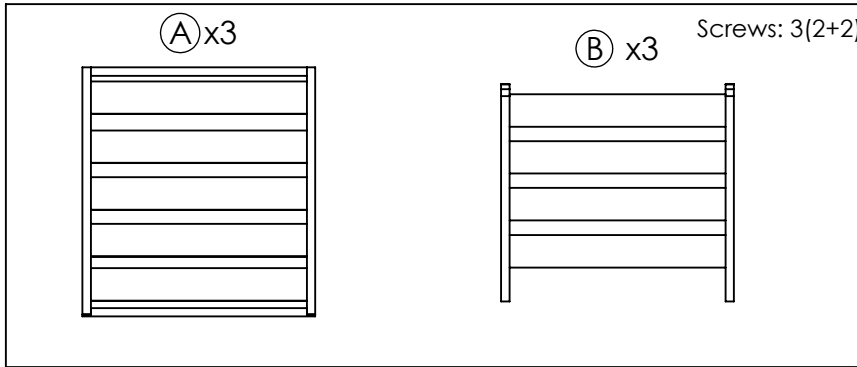
Scribe line



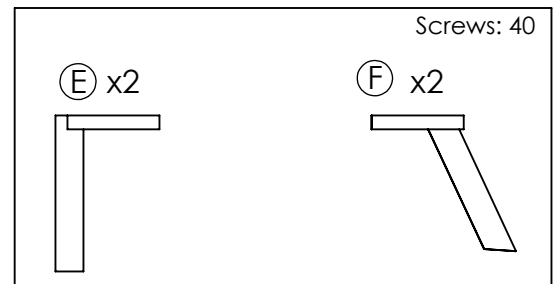
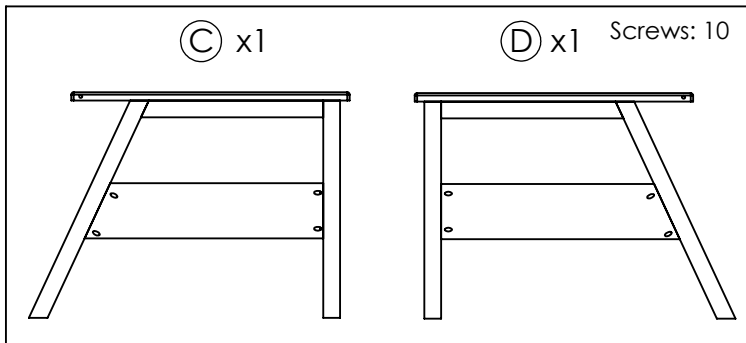
C.R. PLASTIC PRODUCTS

we create sustainable outdoor living

DSF 283 (DSF281 + 2 X DSF285)



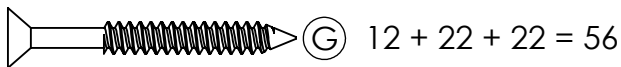
Total Boxes # 6
3XBox-DSF 280SB: A,B, i
1XBox-DSF 280ARM:C,D, ii
2XBox-DSF285CL: E,F,iii



Total Screw Packs # 6
i: DSF280SB
ii: DSF280ARM
iii: DSF285CL

1 1/2" (38mm) SCREW

2 1/2" (64.5mm) SCREW



#2



PLEASE USE 6" DRIVER BITS



1-866-439-9521



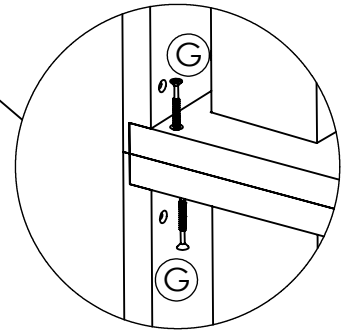
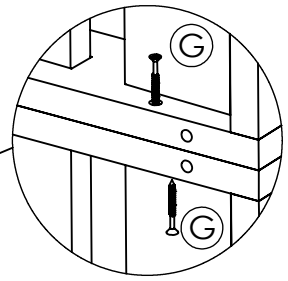
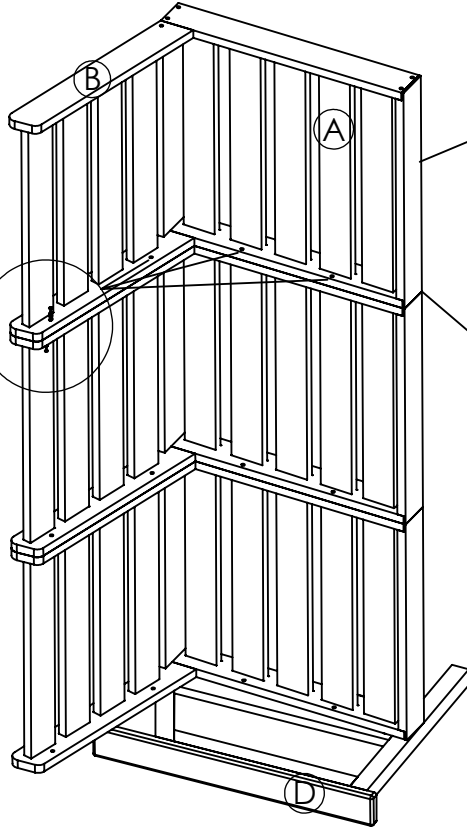
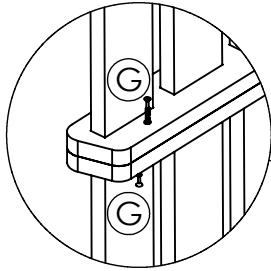
wecare@crplastics.com



www.crpproducts.com

- 1** (A)x3
 (B)x3
 (D)x1
 (G)x35
 (H)x6

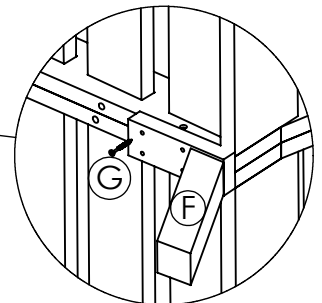
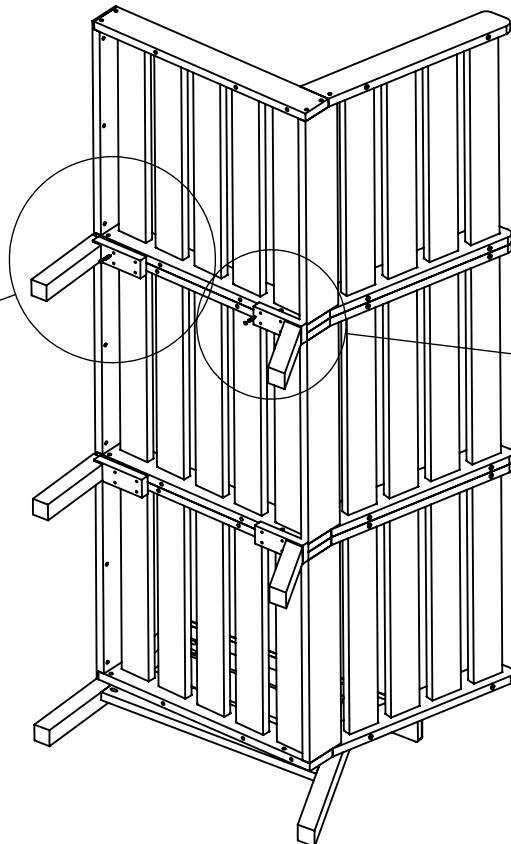
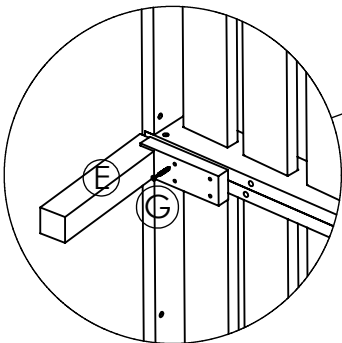
Repeat DSF281 step 1 to build 3 seats and backs
 Repeat DSF281 step 2 to attach 1 arm



FRONT

BACK

- 2** (E)x2
 (F)x2
 (G)x16



3 ©x1
Gx5

Scribe line

Flush

