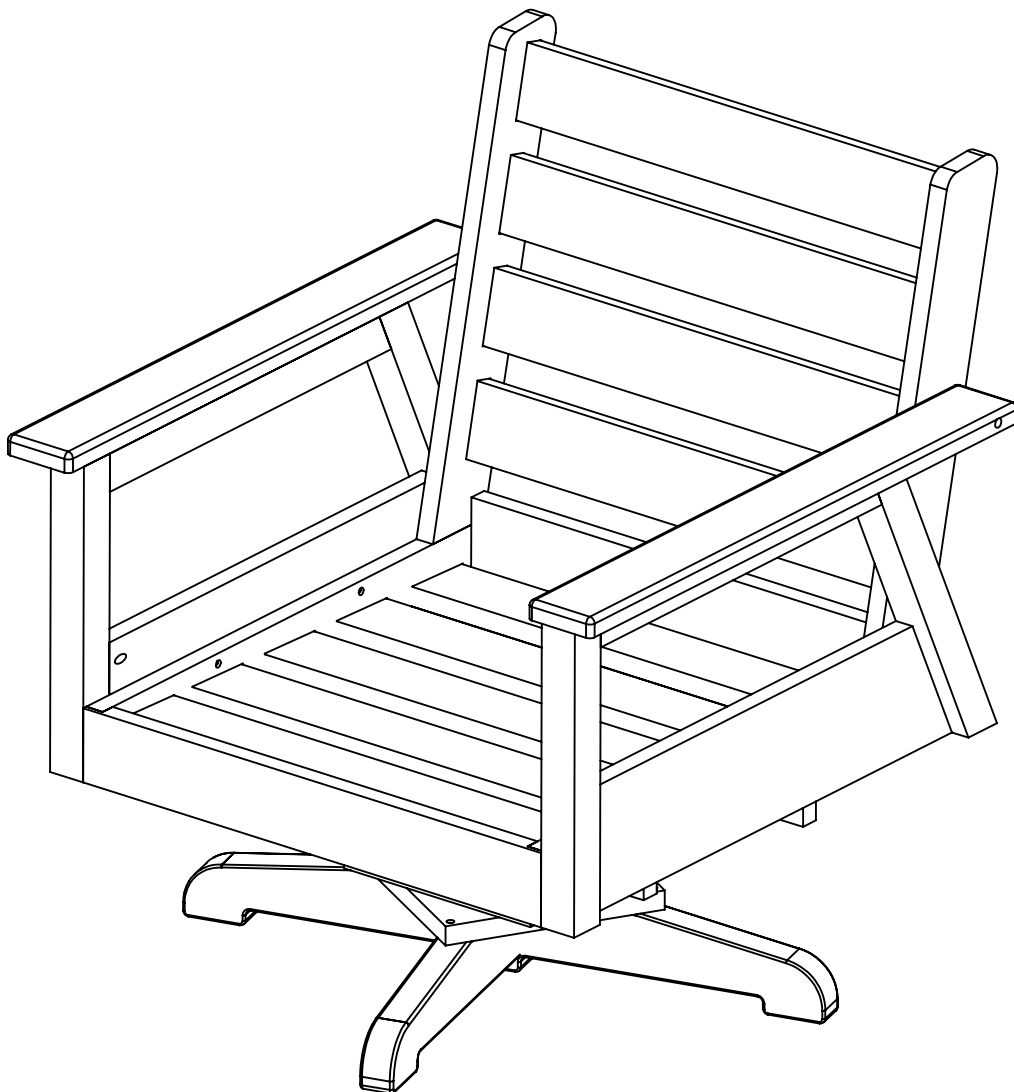


**C.R. PLASTIC  
PRODUCTS**

*we create* sustainable outdoor living

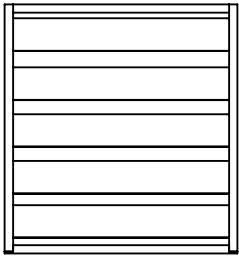
DSF284 - Swivel Armchair



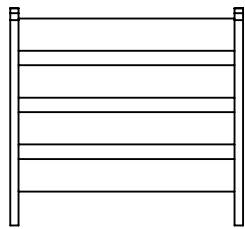
# C.R. PLASTIC PRODUCTS

*we create* sustainable outdoor living

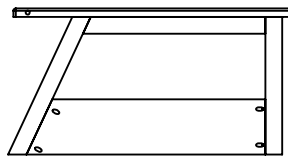
(A) x1



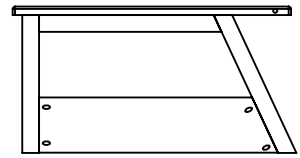
(B) x1



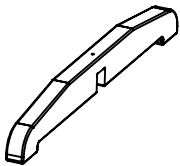
(C) x1



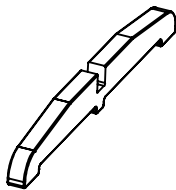
(D) x1



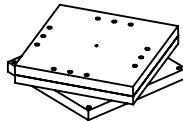
(E) x1



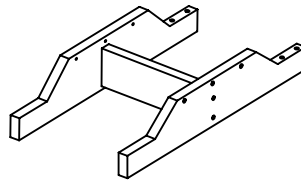
(F) x1



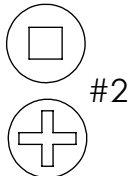
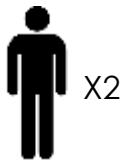
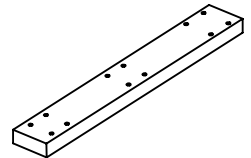
(G) x1



(H) x1



(I) x2



2 1/2" / 64mm SCREW



(J) x2

1-3/4" / 44.45 mm



(K) x24

3" / 76.2 mm



(L) x8

1-1/2" / 38 mm



(M) x22



1-866-439-9521



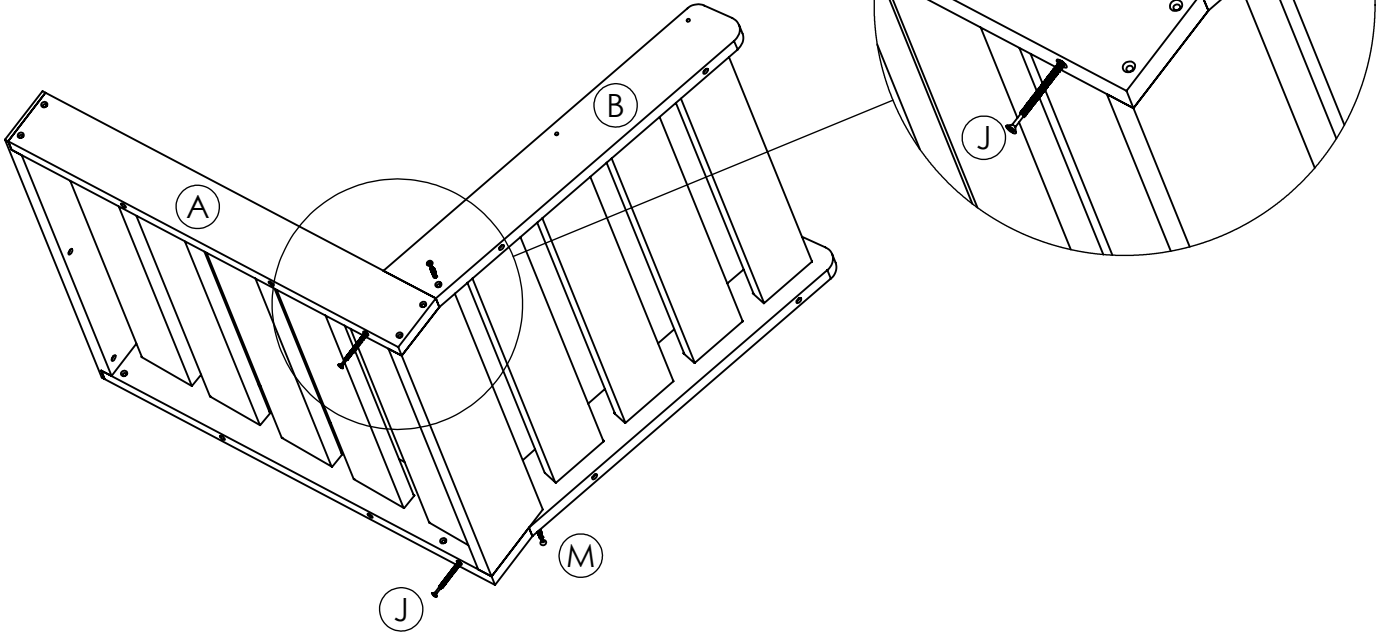
wecare@crplastics.com



www.crpproducts.com

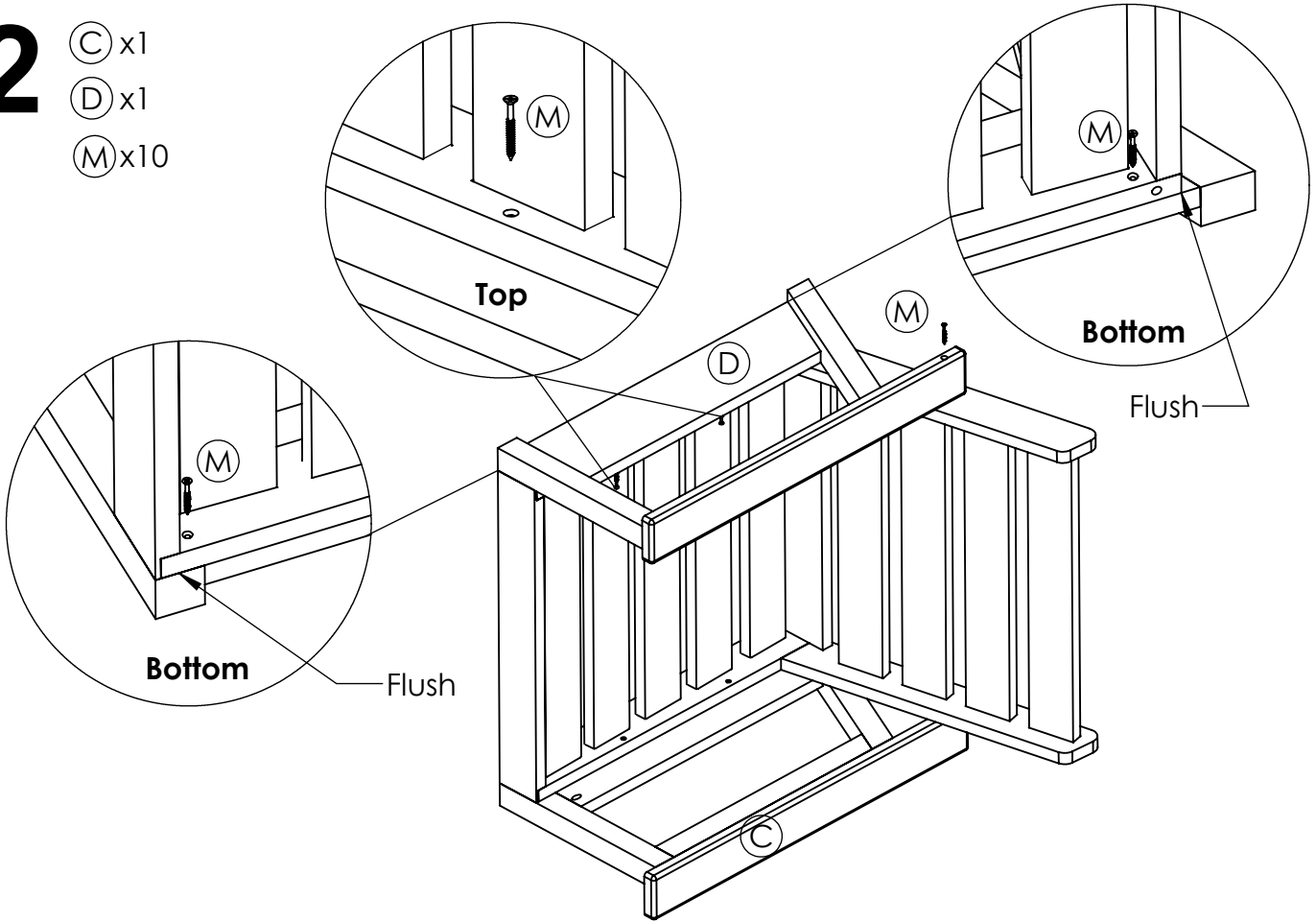
# 1

- (A) x1
- (B) x1
- (M) x2
- (J) x2



# 2

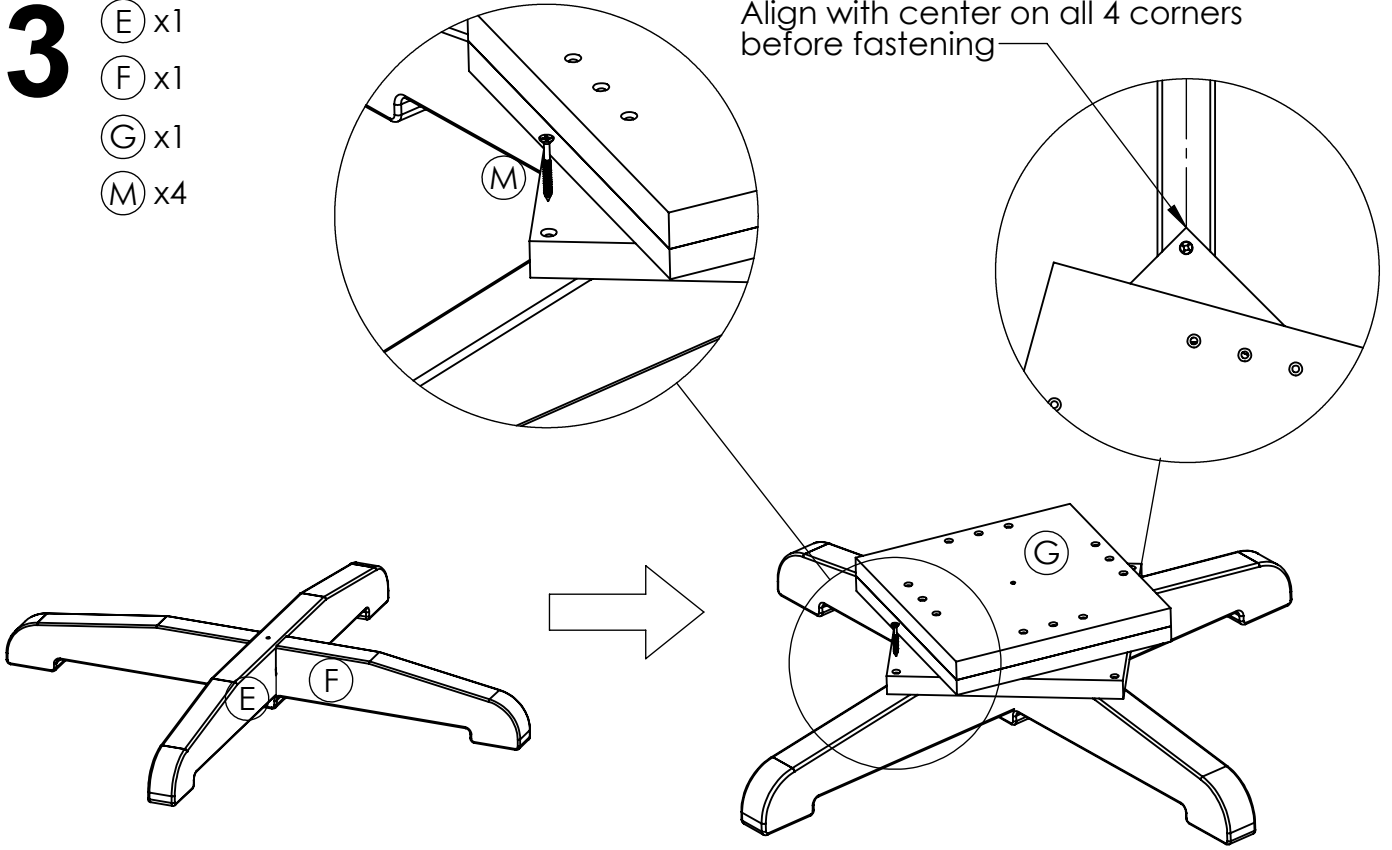
- (C) x1
- (D) x1
- (M) x10



# 3

- ⓔ x1
- ⓕ x1
- ⓖ x1
- Ⓜ x4

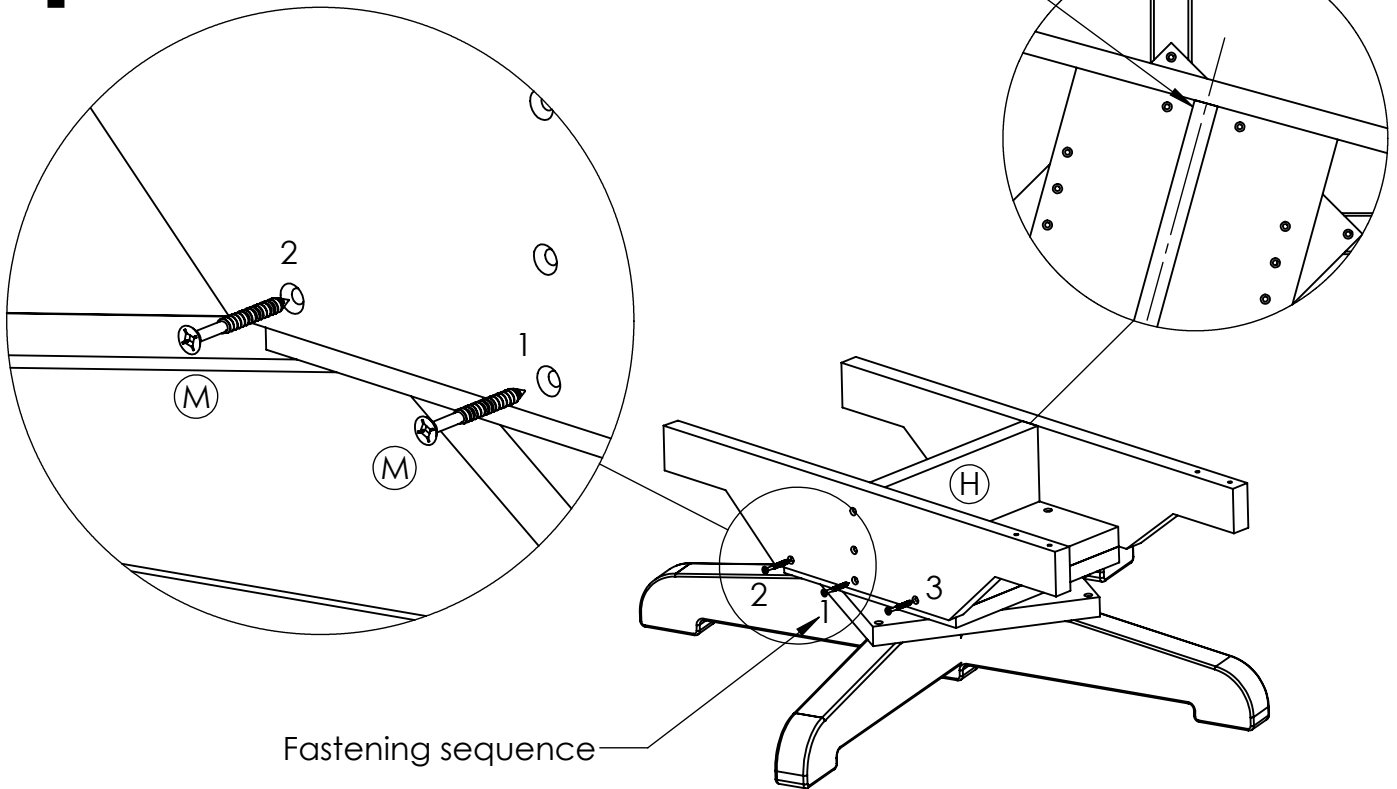
Align with center on all 4 corners before fastening



# 4

- ⓓ x1
- Ⓜ x6

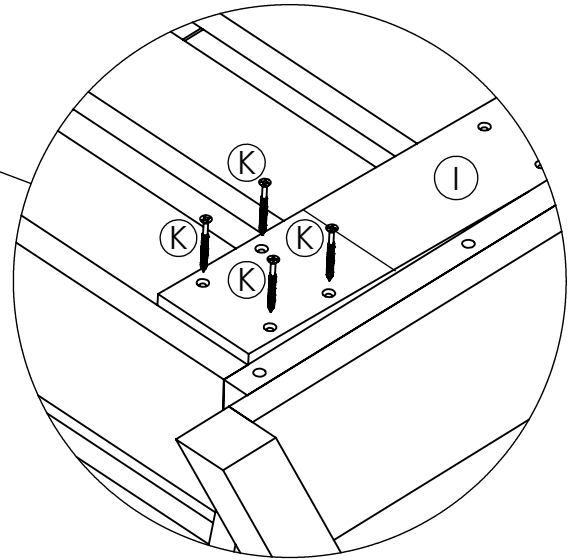
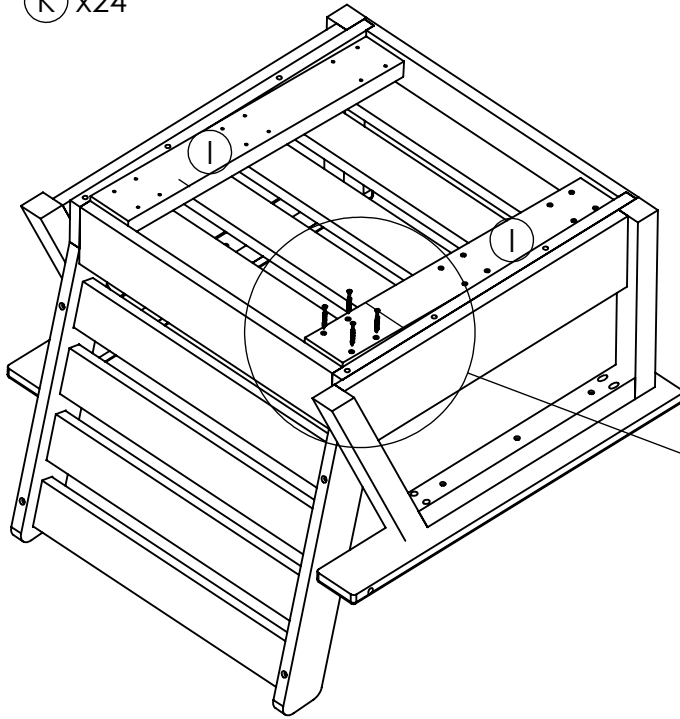
Center the H-Brace



# 5

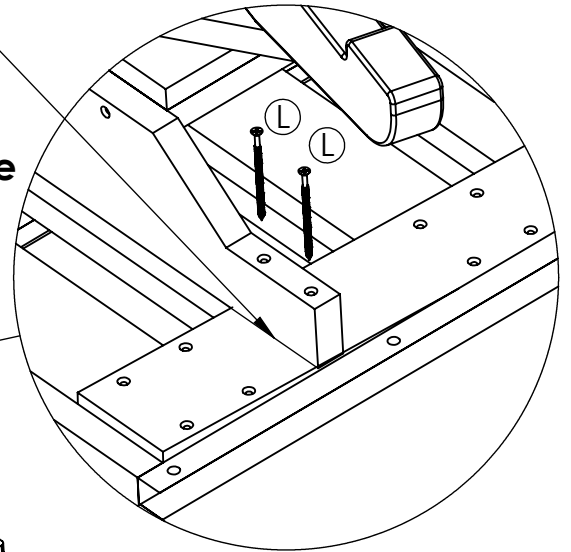
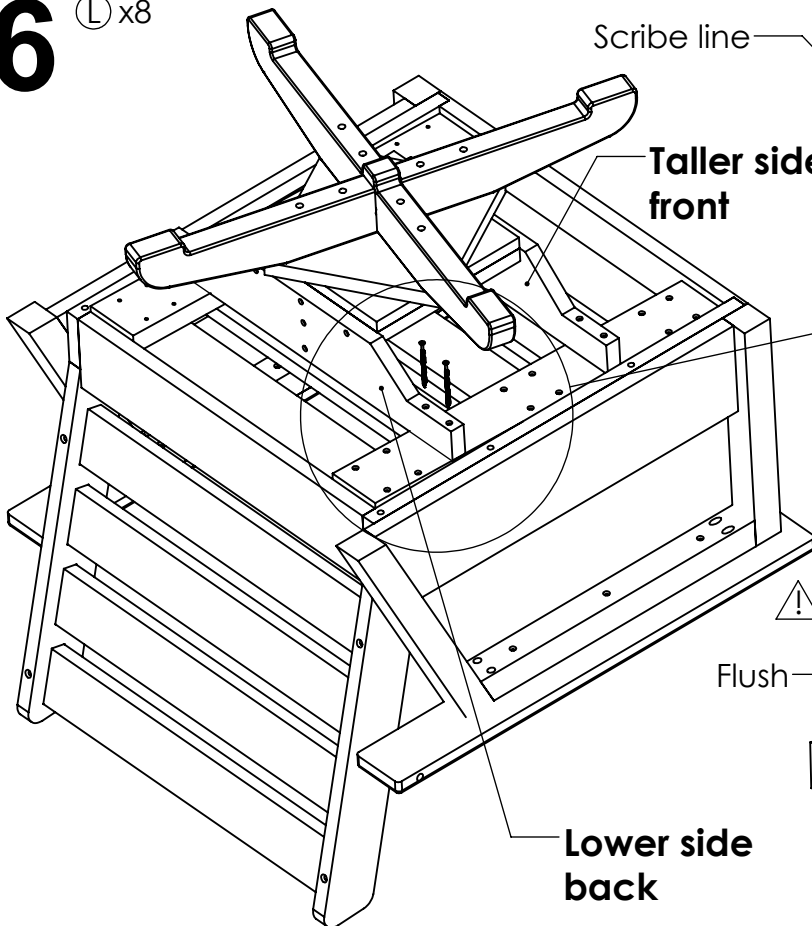
Ⓛ x2

Ⓚ x24



# 6

Ⓛ x8



⚠ If H-brace attached the wrong way, the chair will be leaning forward

