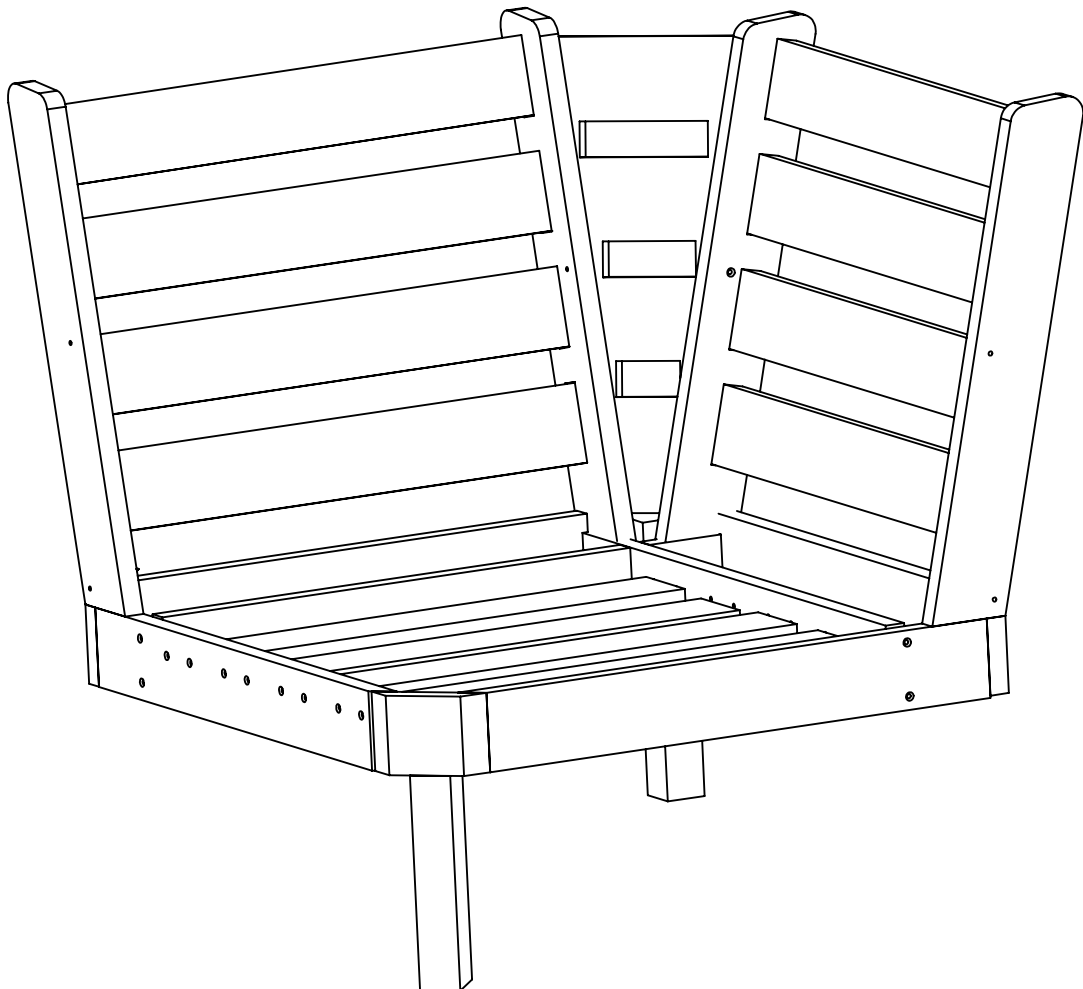




*we create* sustainable outdoor living

## TOFINO DEEP SEATING COLLECTION

# DSF286

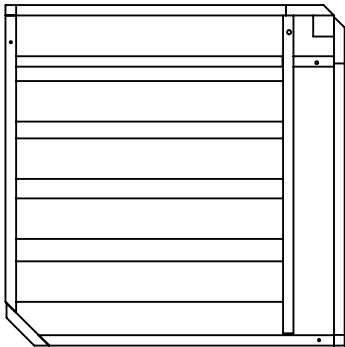


# C.R. PLASTIC PRODUCTS

*we create* sustainable outdoor living

## DSF286

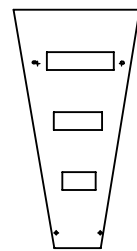
Ⓐ x1



Ⓑ x2



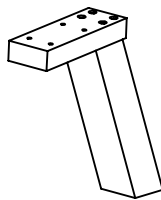
Ⓒ x1



Ⓓ x1



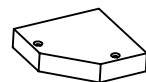
Ⓔ x1



Ⓕ x1



Ⓖ x1



#2



2.5" (64mm) SCREW



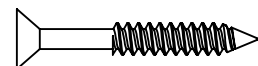
Ⓕ x4

1.5" (38mm) SCREW



Ⓖ x18

1.25" (31.75mm) SCREW



Ⓖ x2



1-866-439-9521

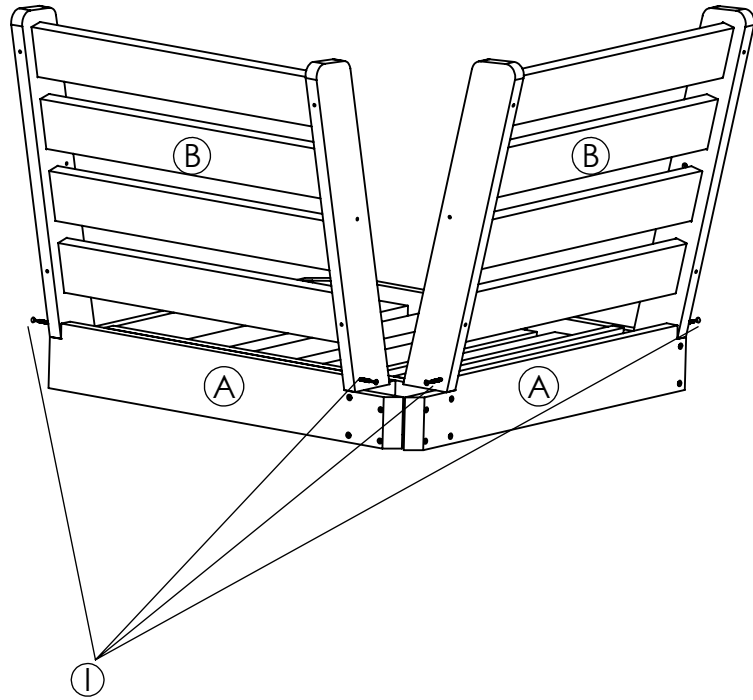


wecare@crplastics.com

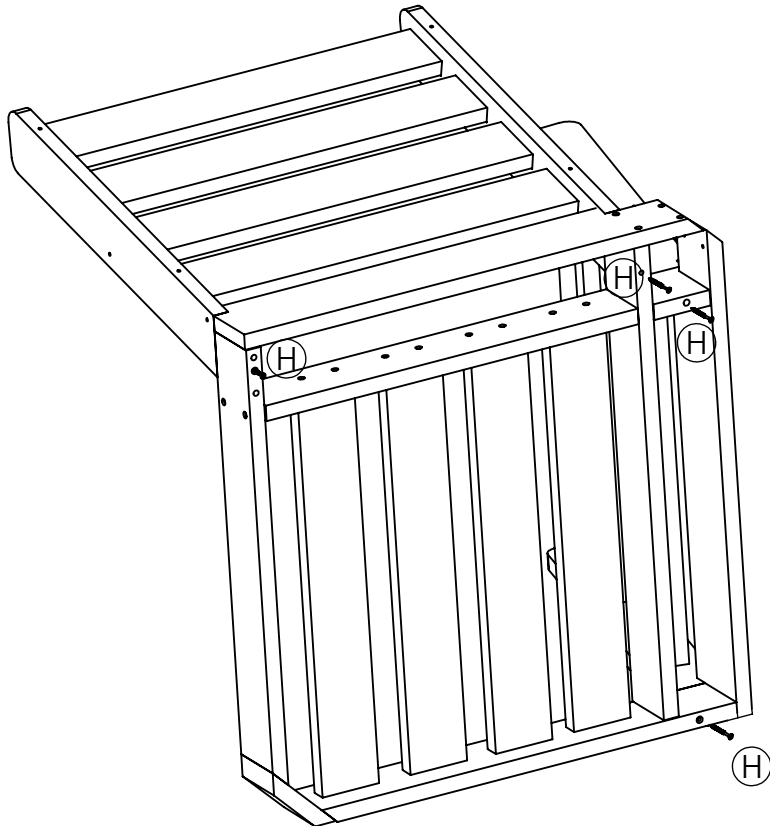


www.crppproducts.com

- 1
- Ⓐ x1
  - Ⓑ x2
  - Ⓘ x4

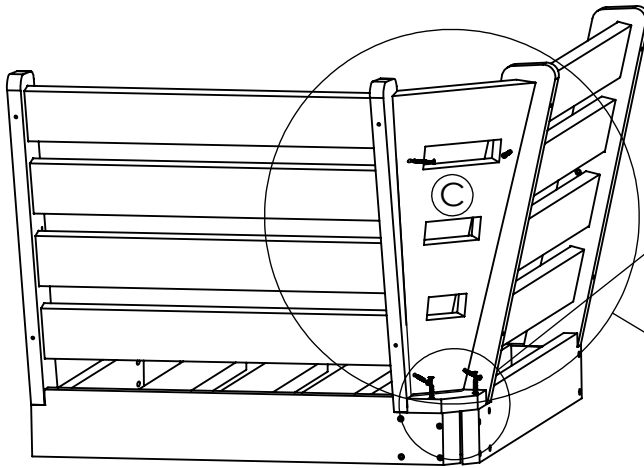


- 2
- Ⓗ x4

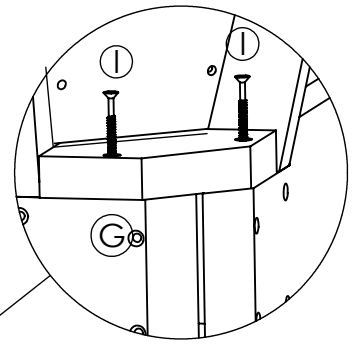


# 3

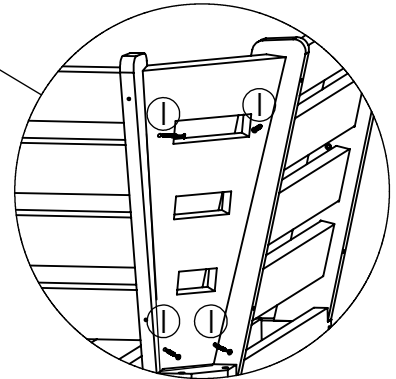
- ⓐ x1
- ⓐ x1
- ⓐ x6



### STEP 1

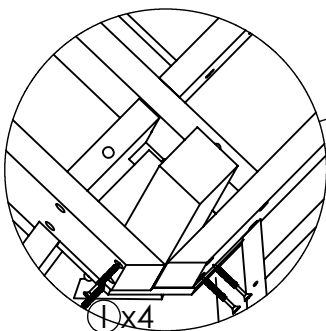
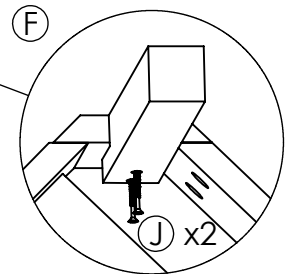
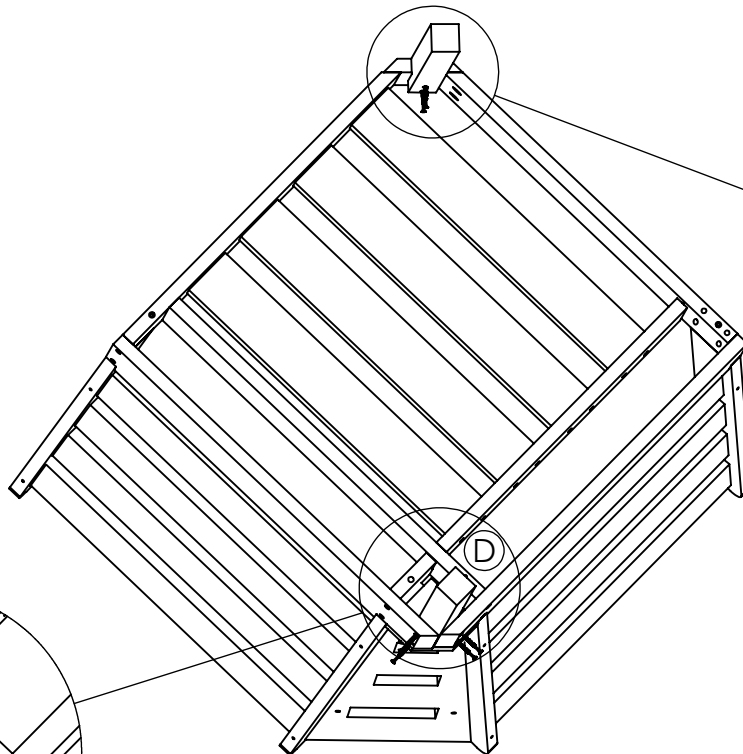


### STEP 2

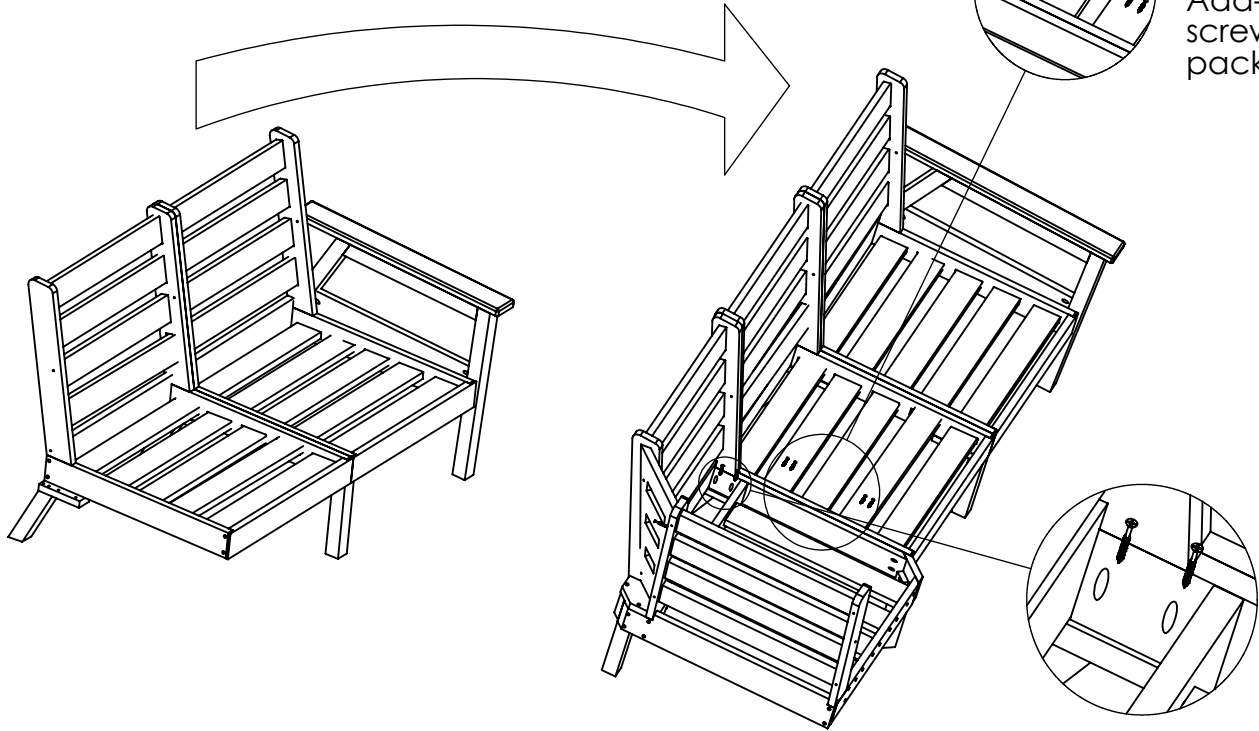


# 4

- ⓐ x1
- ⓐ x1
- ⓐ x4
- ⓐ x2

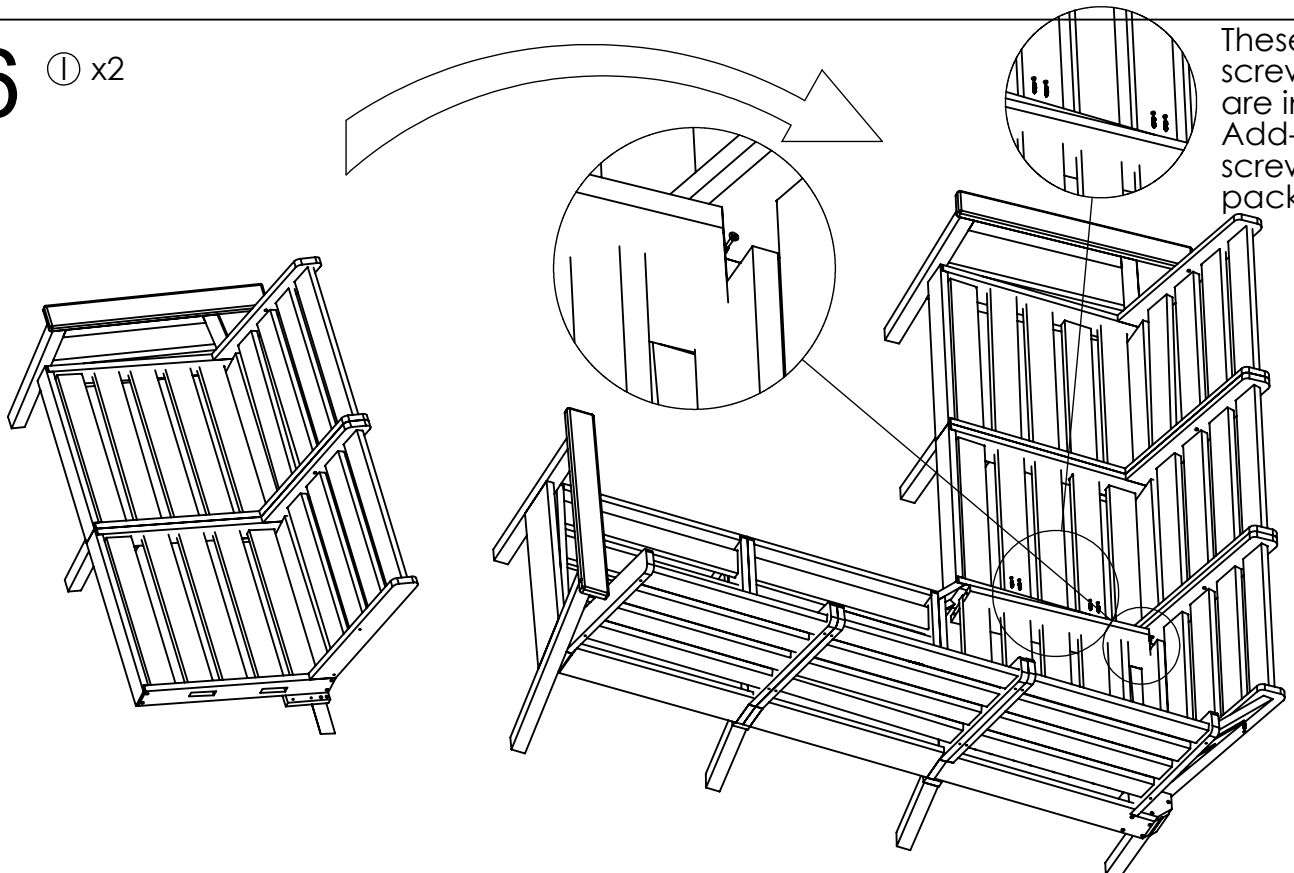


5 ① x2



These 4 screws are in the Add-on screw pack

6 ① x2



These 4 screws are in the Add-on screw pack

Once you assembled the sectional and the two add-ons (DSF 285) each side, you should have one extra add-on front leg which does not need to be used.