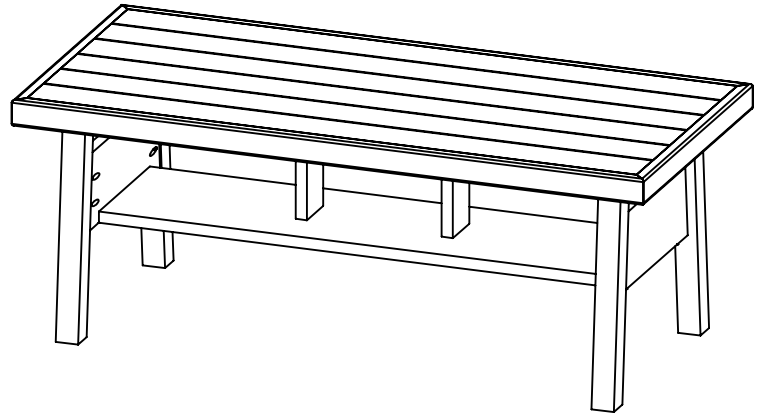




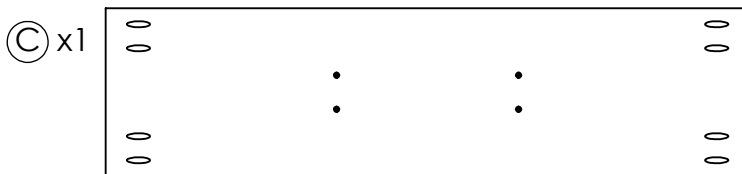
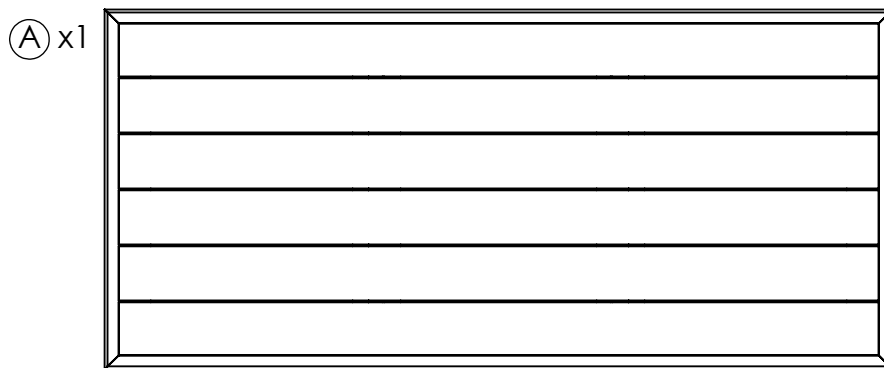
*we create* sustainable outdoor living

# DST287

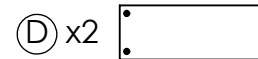
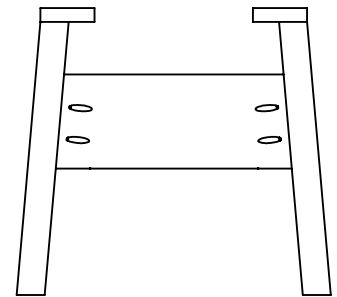
## Tofino Coffee Table



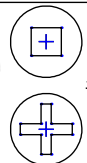
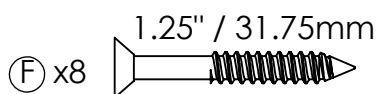
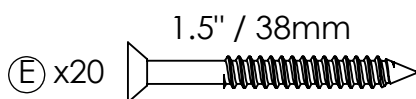
BOX INCLUDES:



(B) x2



SCREW PACK INCLUDES:



#2

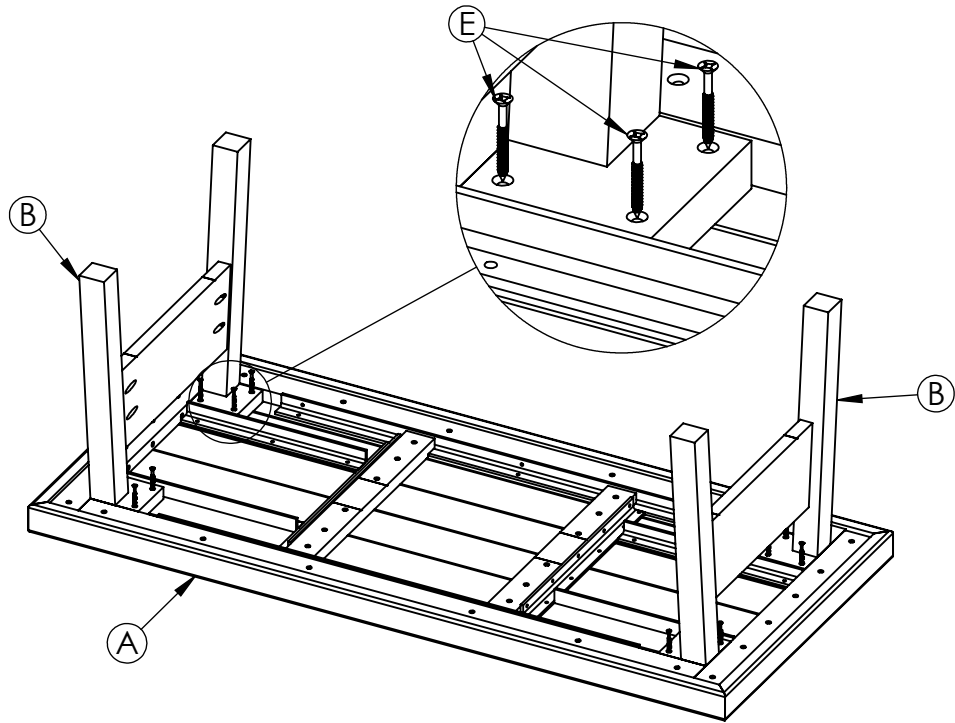


[www.crpproducts.com](http://www.crpproducts.com)

FASTNER TO SCALE 1:1

# 1

- (A) x1
- (B) x2
- (E) x12



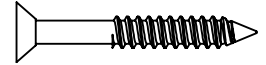
# 2

- (C) x1
- (D) x2
- (F) x8



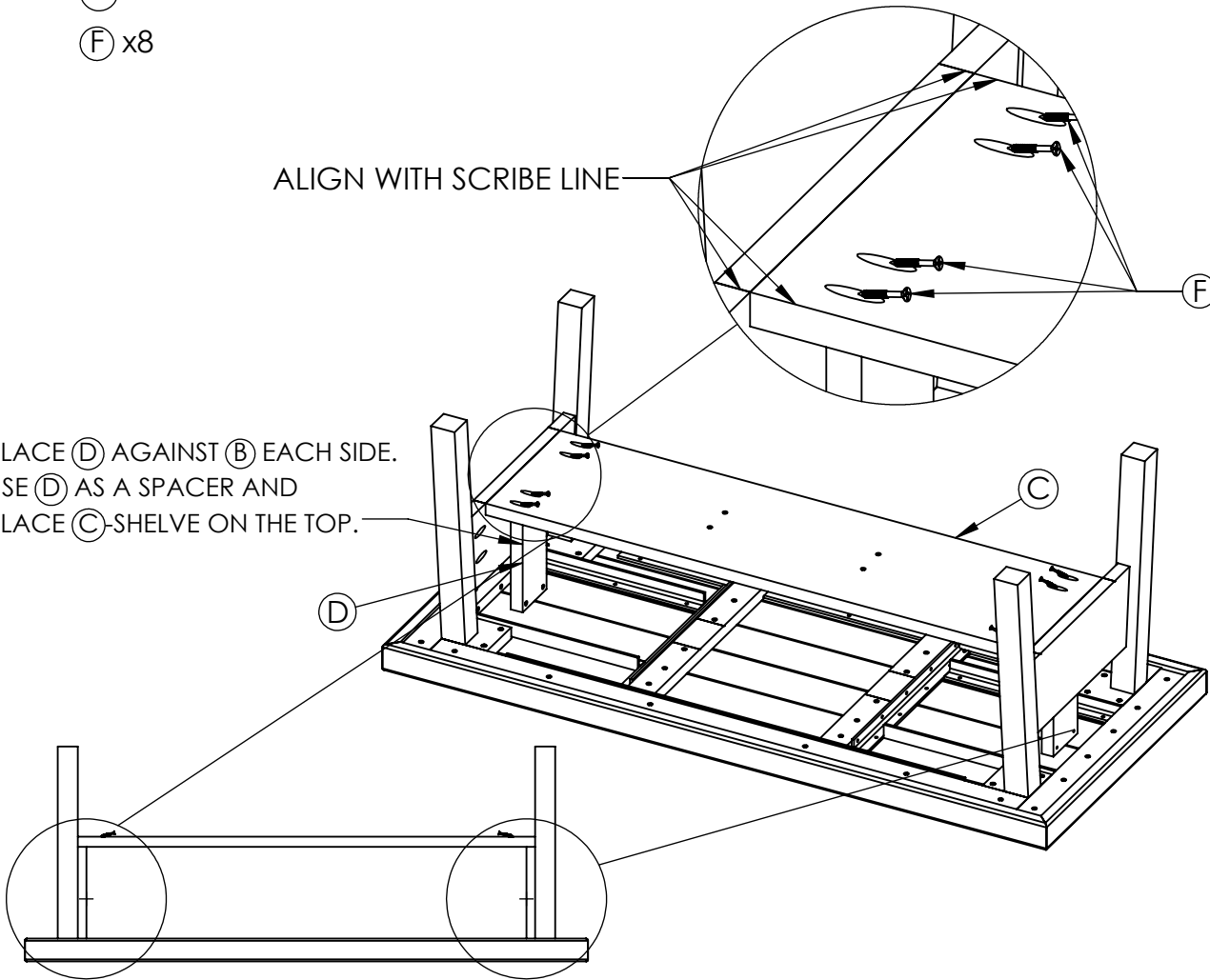
**CHECK FASTENER TO SCALE BEFORE USE**

(F) - 1.25" / 31.75mm

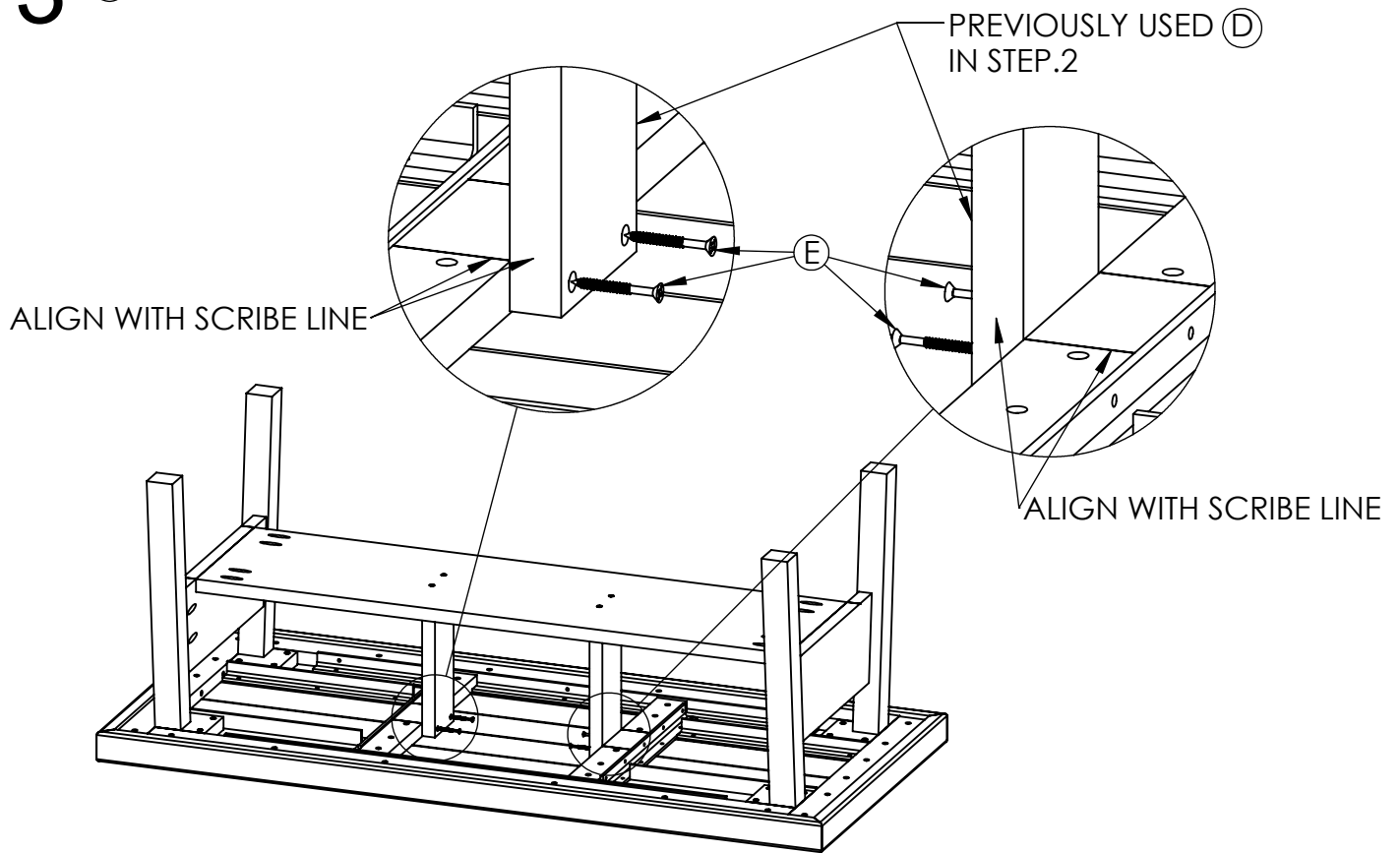


ALIGN WITH SCRIBE LINE

PLACE (D) AGAINST (B) EACH SIDE.  
USE (D) AS A SPACER AND  
PLACE (C) SHELVES ON THE TOP.



3 (E) x4



4 (E) x4

