

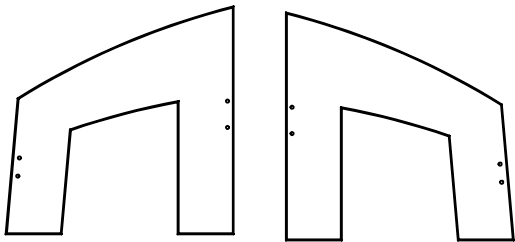


Crystal Harbor

COLLECTION[®]

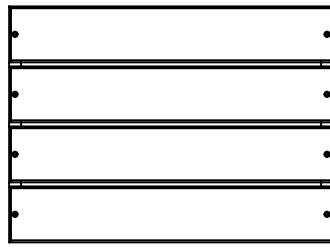
BY C.R. PLASTIC PRODUCTS

FCH01



(A) X1

(B) X1

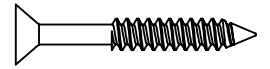


(C) X1



(D) X2

1.25" (31.75 mm)



(E) X16

FASTENER TO SCALE 1:1



1-866-439-9521

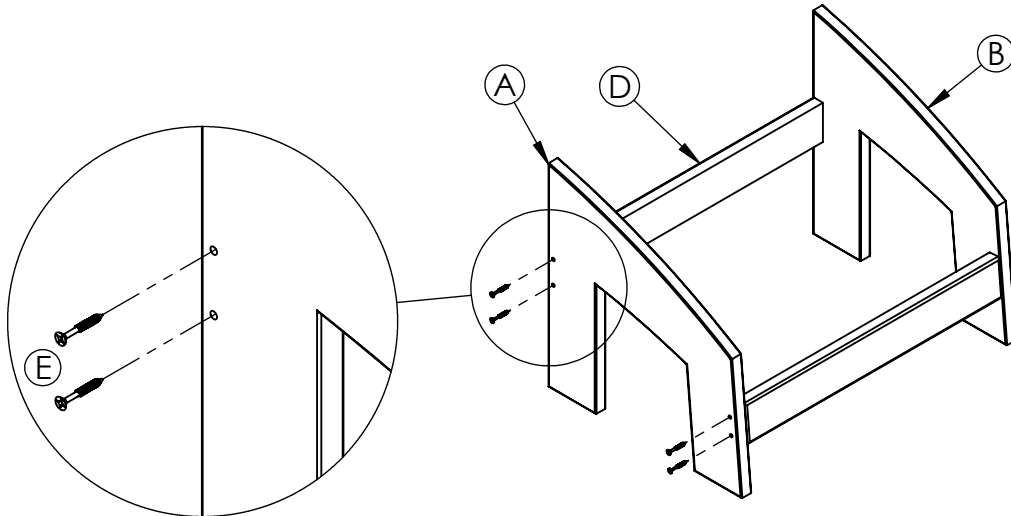


wecare@crplastics.com



www.crpproducts.com

- 1**
- (A) X1
 - (B) X1
 - (D) X2
 - (E) X8



- 2**
- (C) X1
 - (E) X8

