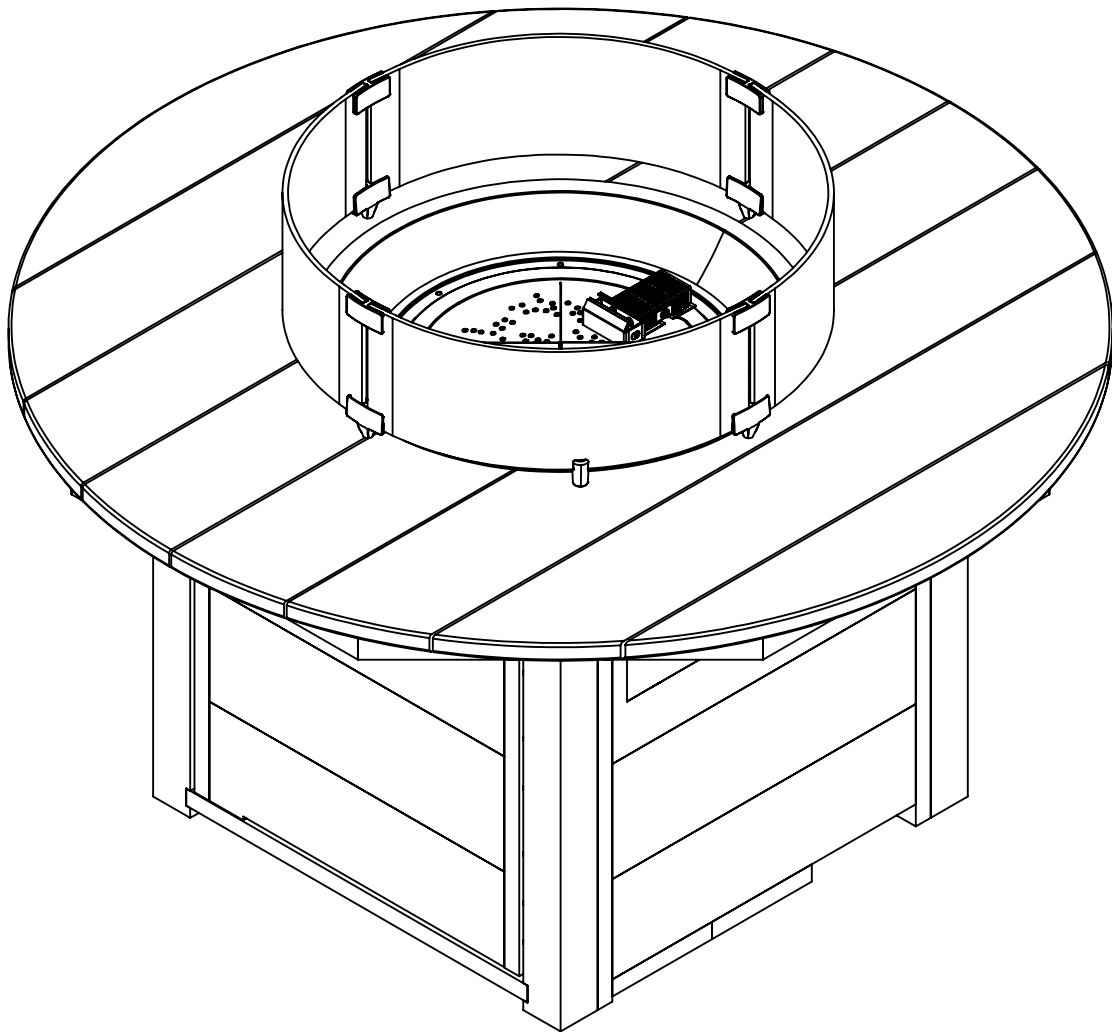


**C.R. PLASTIC  
PRODUCTS**

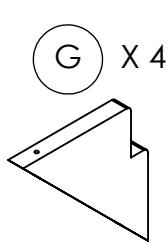
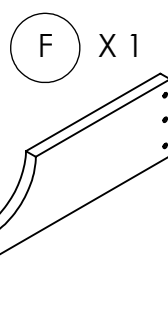
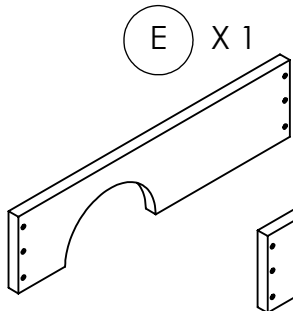
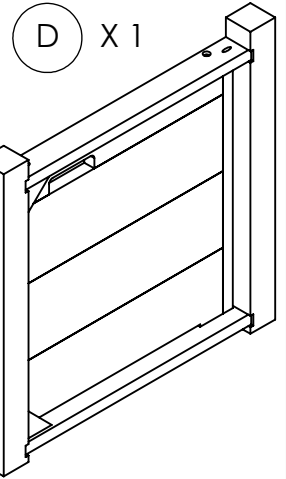
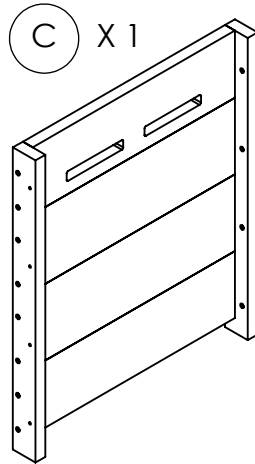
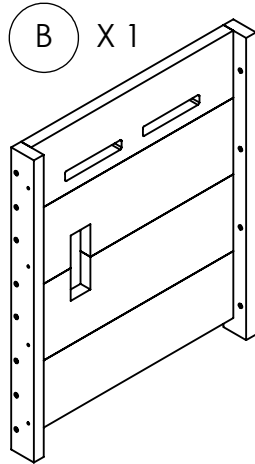
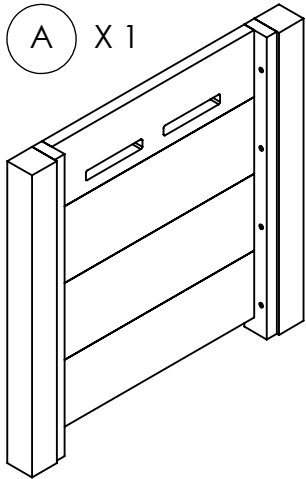
*we create* sustainable outdoor living

FT02

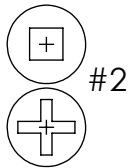
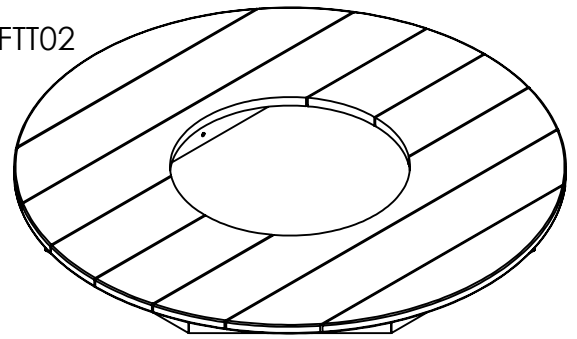


# C.R. PLASTIC PRODUCTS

*we create* sustainable outdoor living



FTT02



(H) X 46 1.5" / 38 mm  
4 SCREWS EXTRA



(J) X 4 0.75" / 19 mm



1-866-439-9521



wecare@crplastics.com



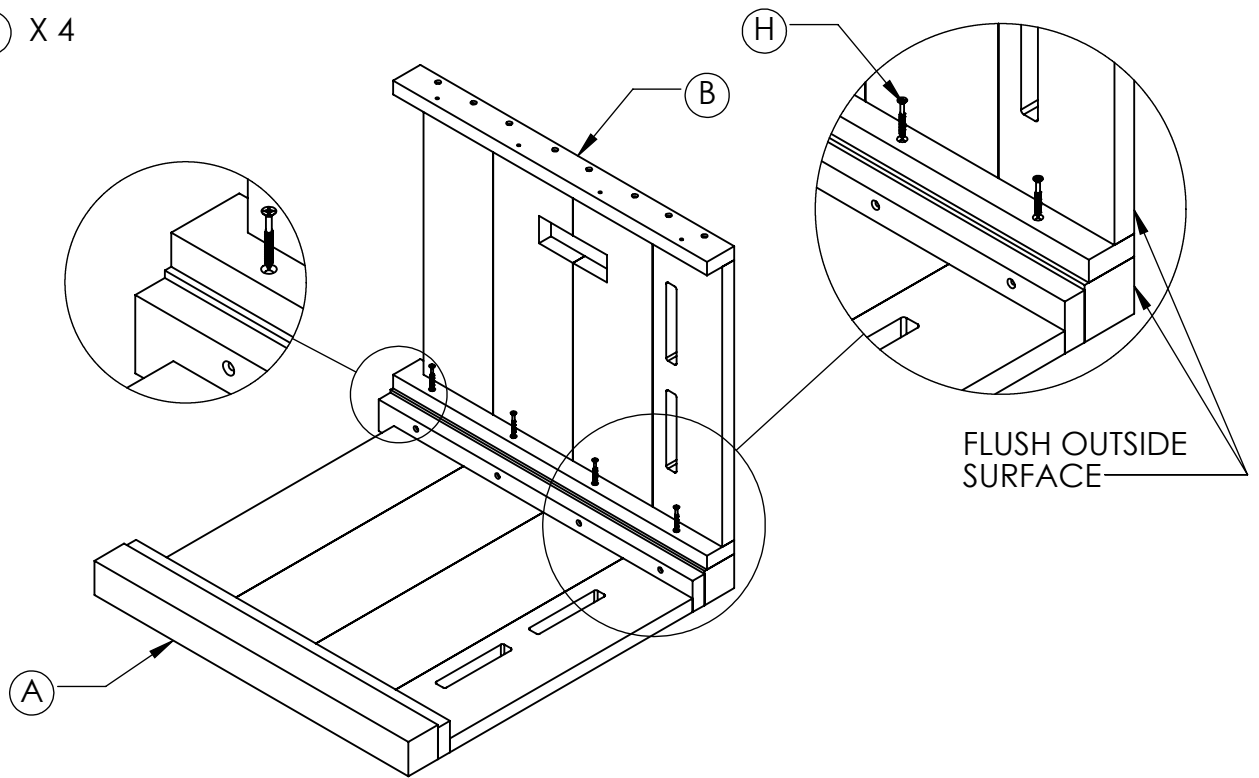
www.crpproducts.com

# 1

(A) X 1

(B) X 1

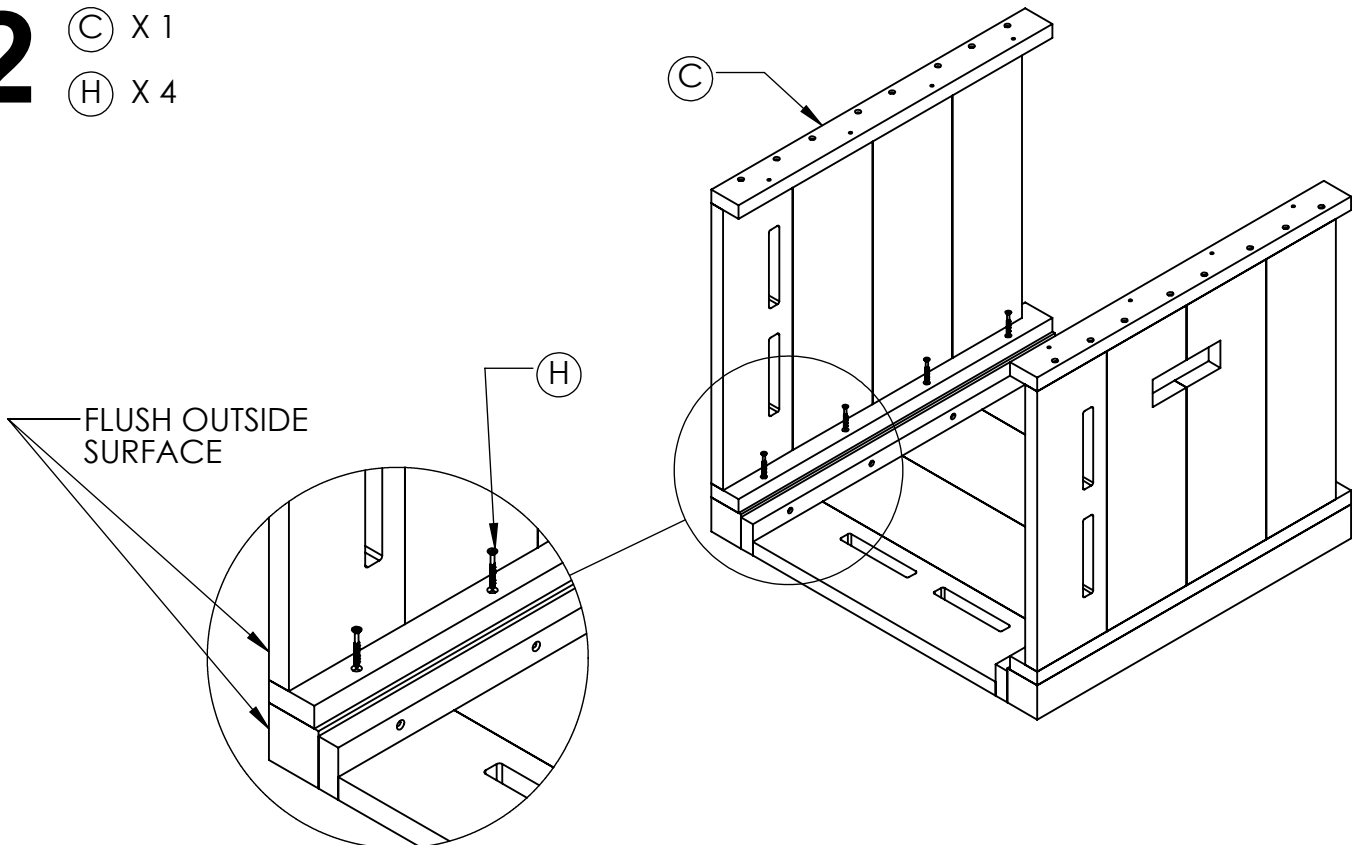
(H) X 4



# 2

(C) X 1

(H) X 4



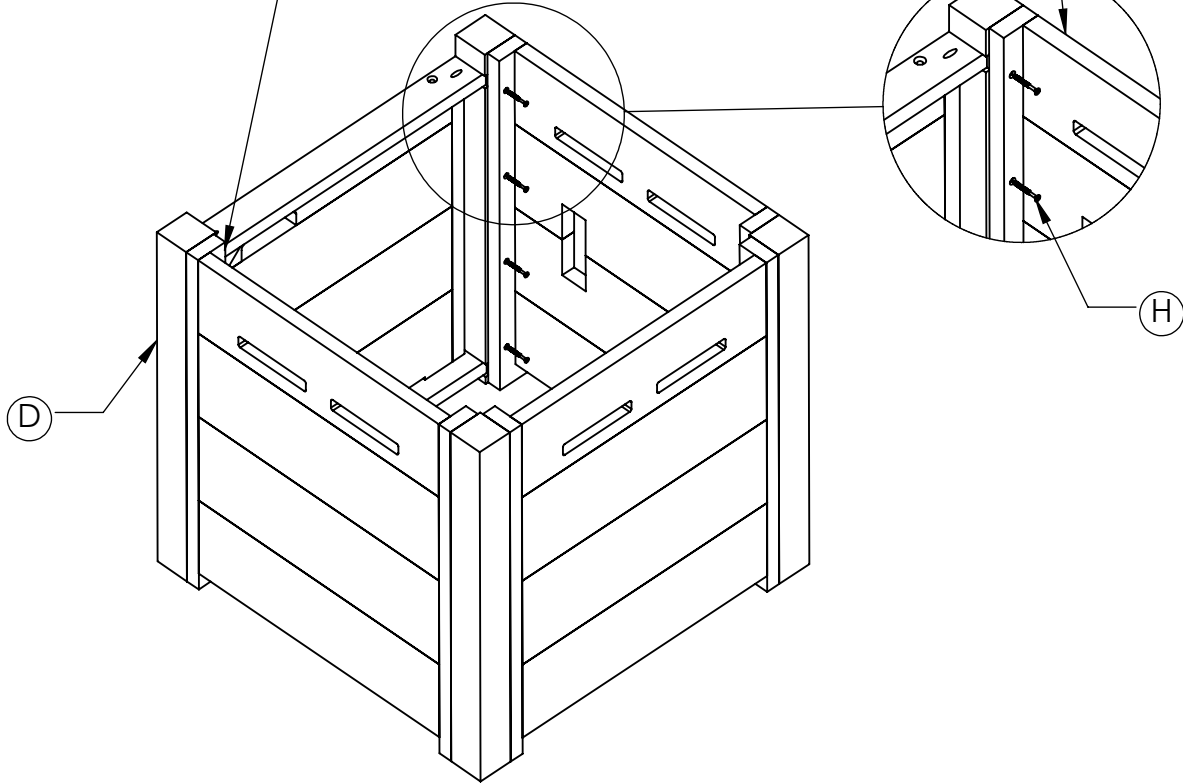
# 3

ⓓ X 1

ⓓ X 8

ⓓ X 4 HIDDEN SCREWS  
THIS SIDE

FLUSH OUTSIDE  
SURFACE

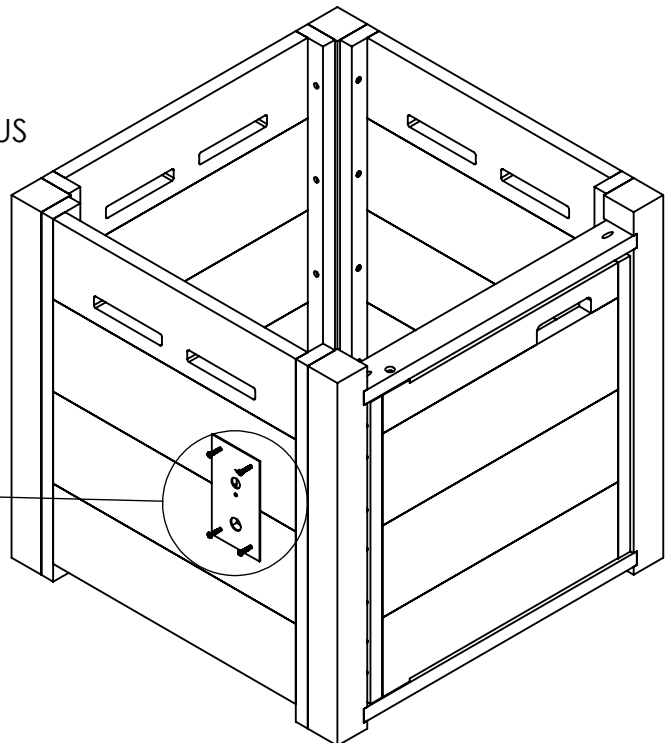
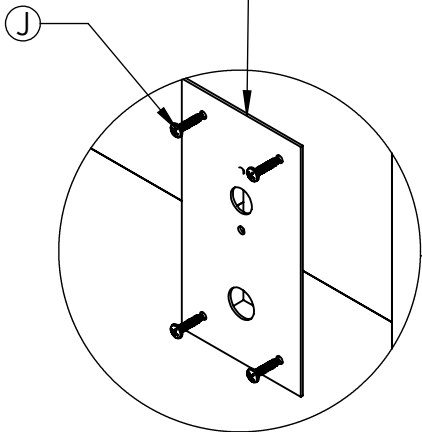


# 4

ⓙ X 4

CONTROL PANEL X 1

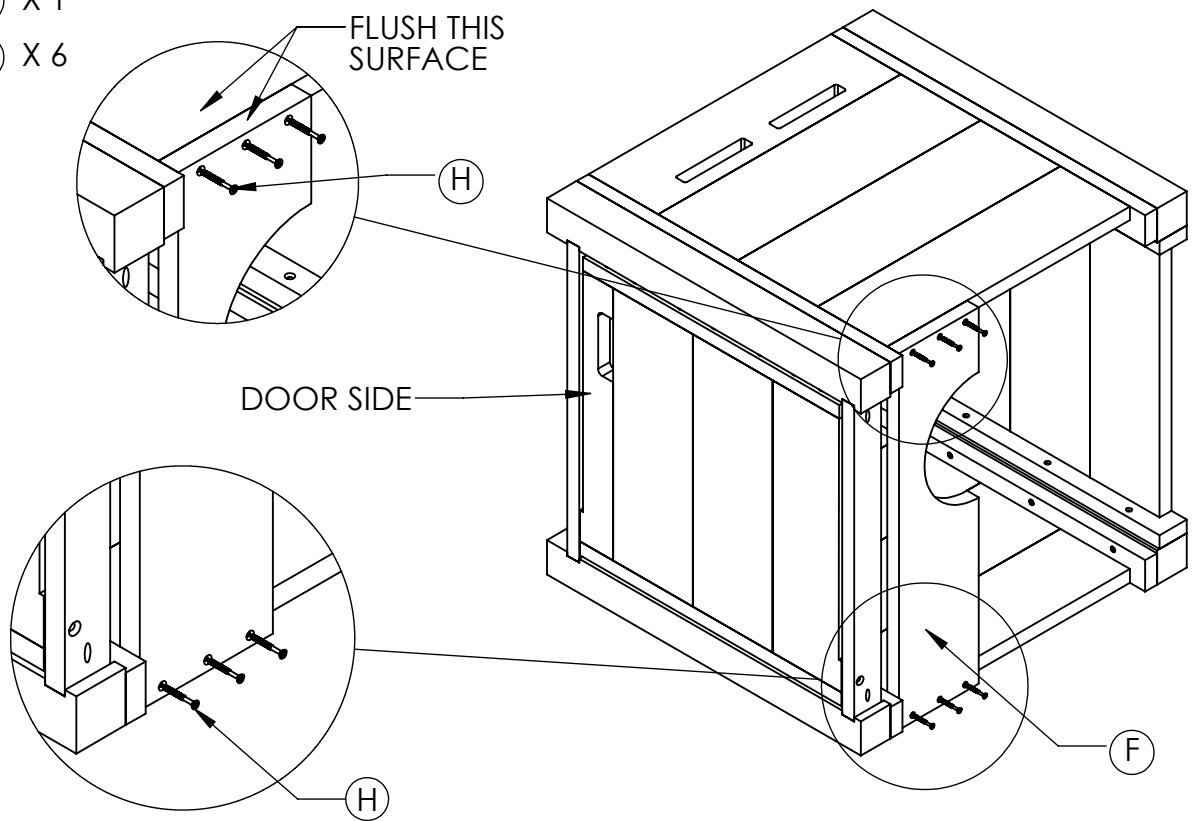
CONTROL PANEL  
(INSIDE CRYSTAL FIRE PLUS  
BURNER PACKAGING)



# 5

(F) X 1

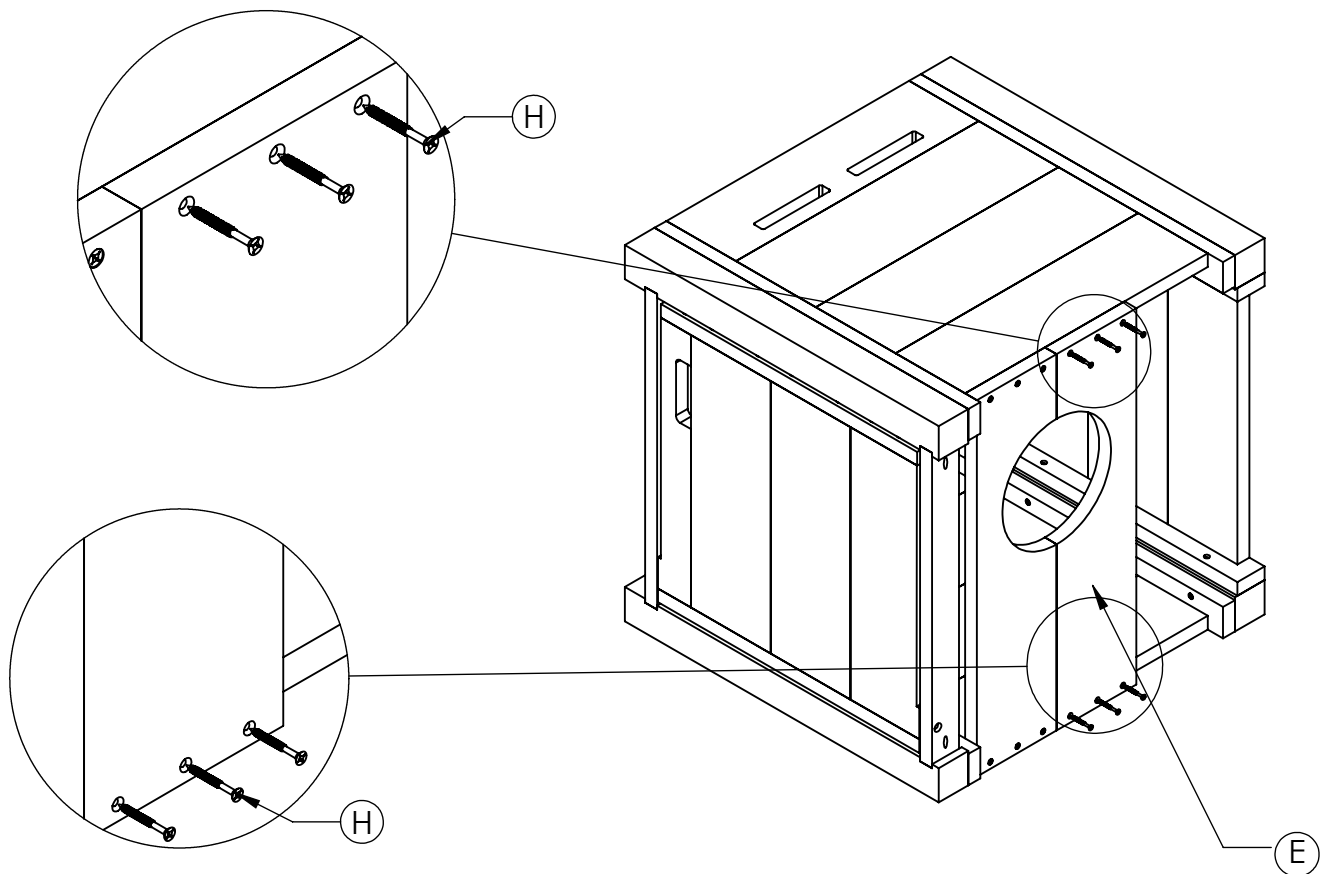
(H) X 6



# 6

(E) X 1

(H) X 6



7

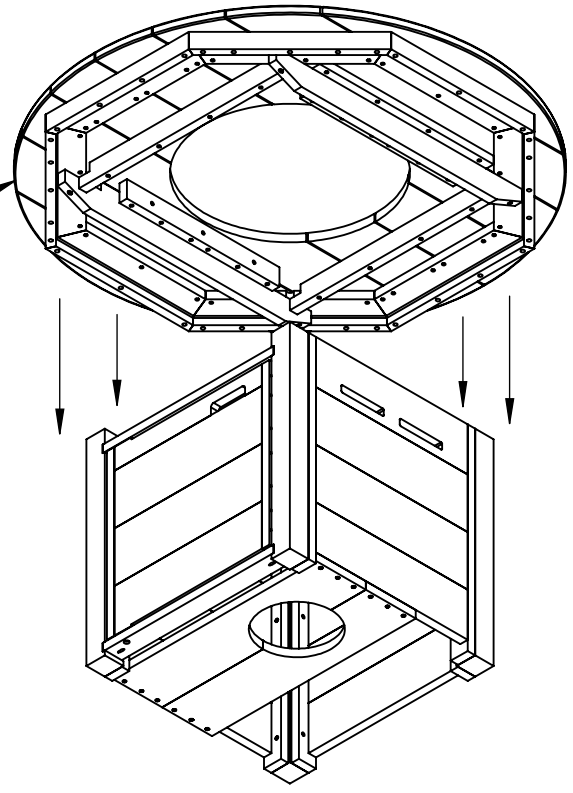
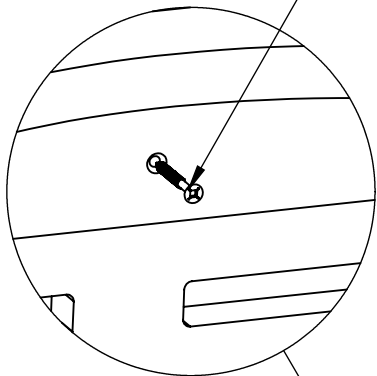
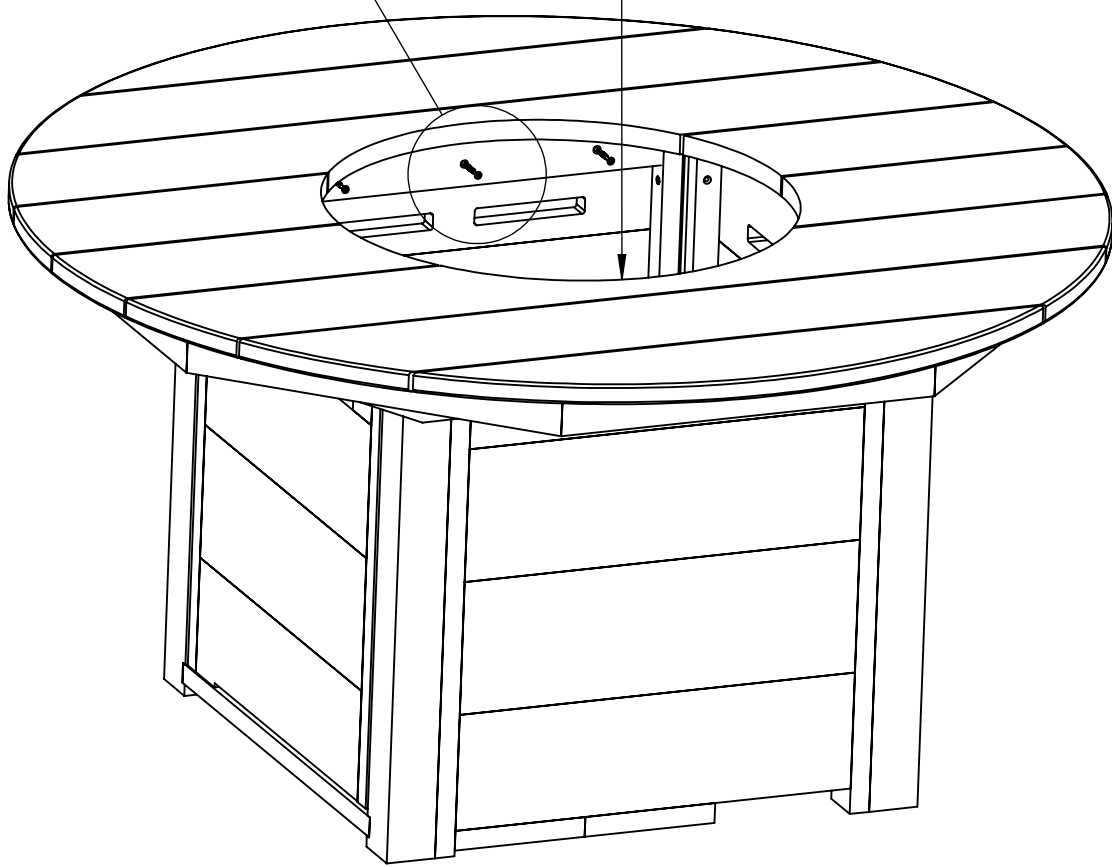
FTT02 X 1

(H) X 6

FTT02

(H)

(H) X 3 HIDDEN SCREW  
THIS SIDE

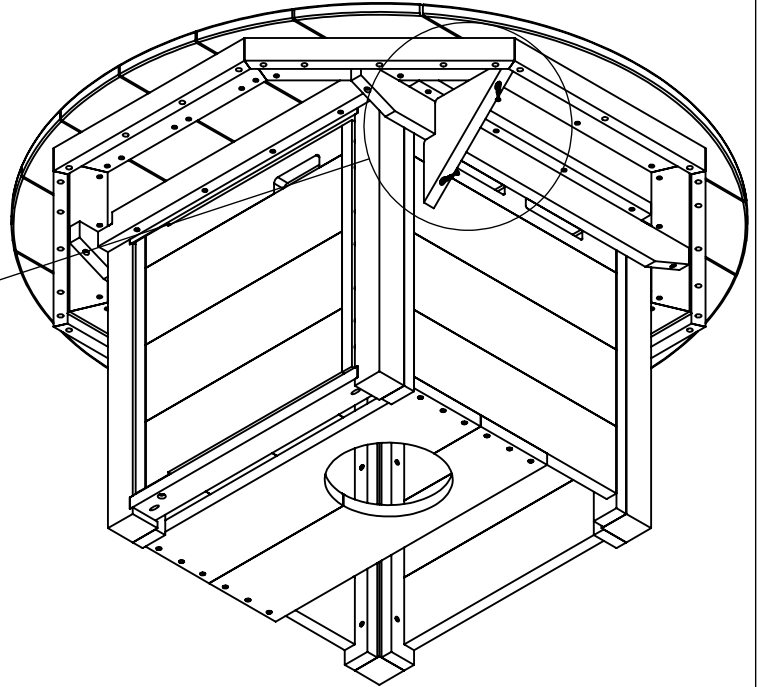
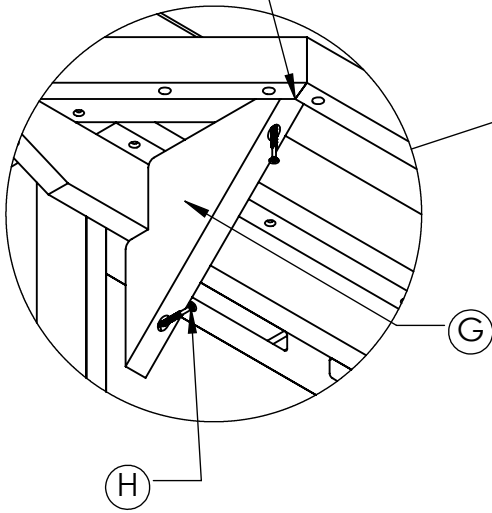


# 8

ⓐ X 1

ⓗ X 2

FLUSH ⓐ TO THIS POINT

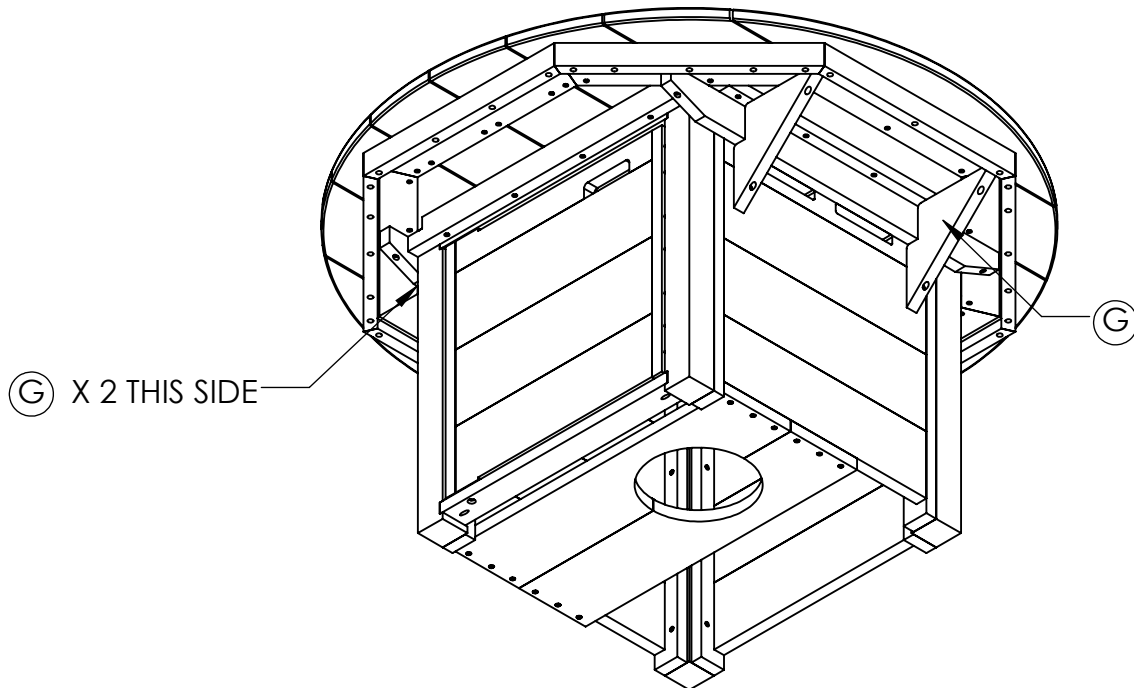


# 9

ⓐ X 3

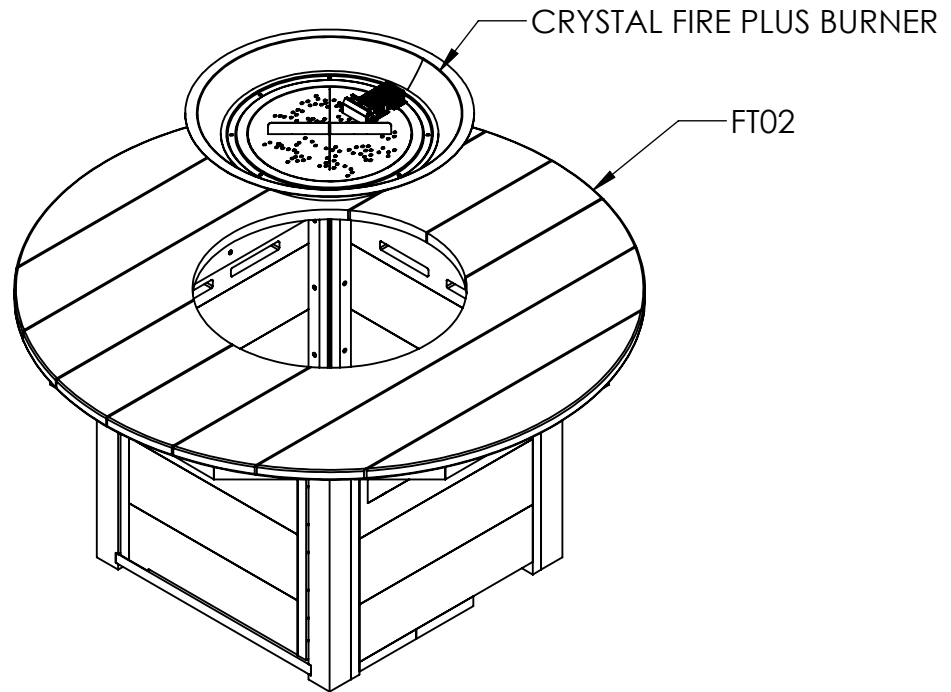
ⓗ X 6

NOTE: REPEAT STEP #8 TO ASSEMBLE OTHER ⓐ.



# 10

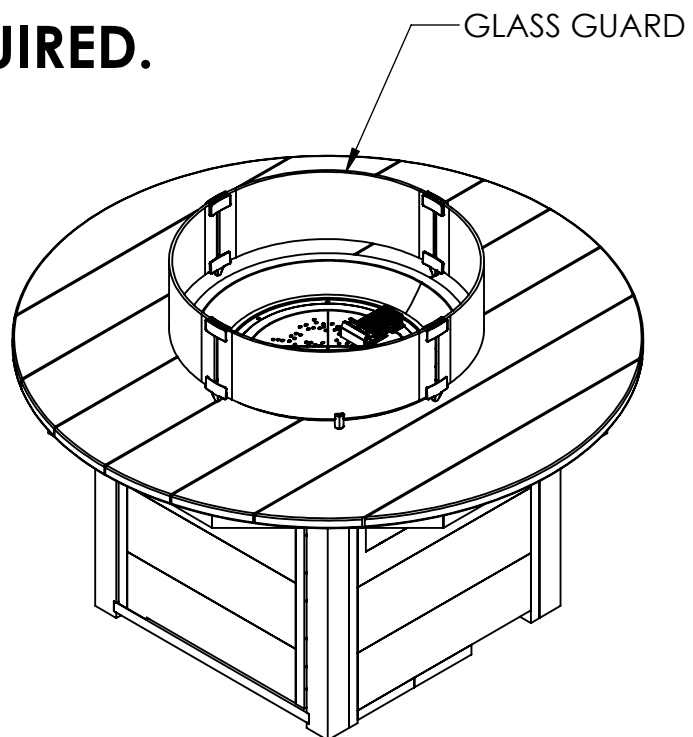
NOTE: SEE CRYSTAL FILE PLUS MANUAL FOR BURNER ASSEMBLY AND INSTALLATION.



# 11

NOTE: SEE GLASS GUARD ASSEMBLY INSTRUCTION.

**IMPORTANT:  
GLASS GUARD REQUIRED.**





# 12

NOTE: SEE CRYSTAL FILE BURNER QUICK START GUIDE WITH PROPANE CYLINDER OR NATURAL GAS CONVERSION.

