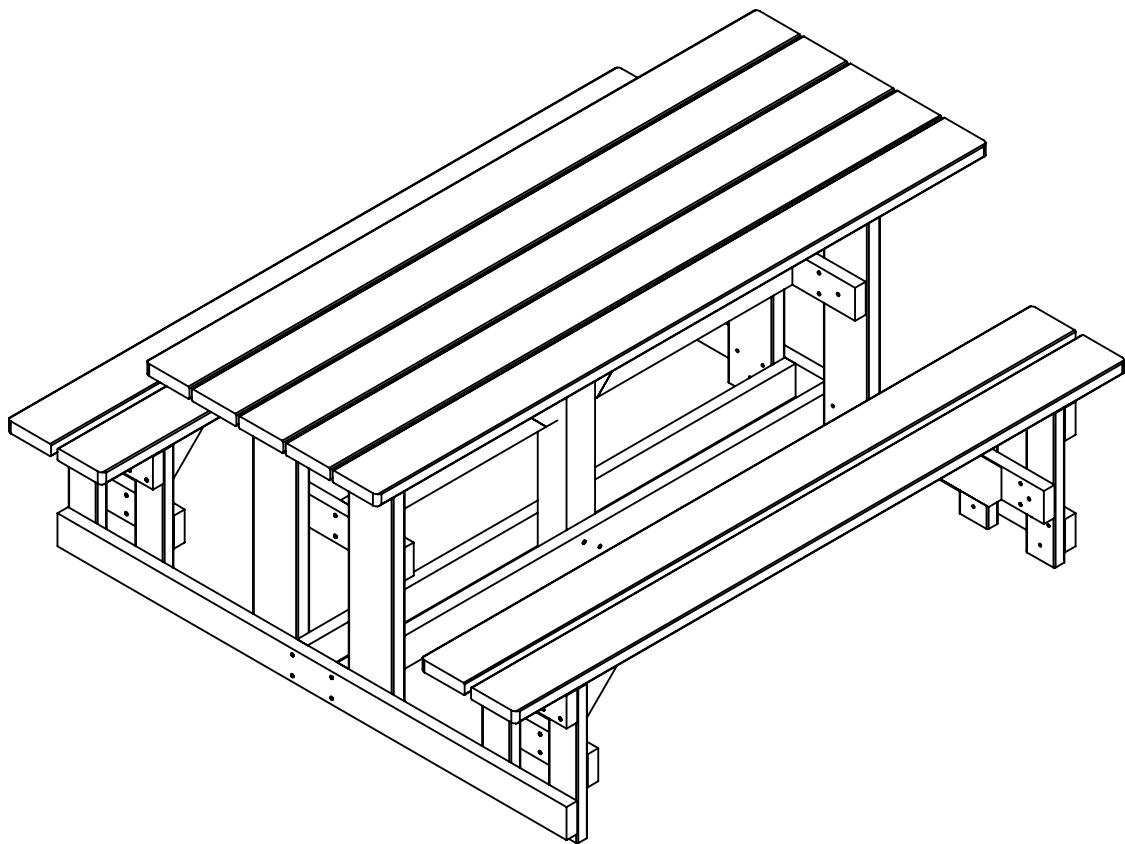


# C.R. PLASTIC PRODUCTS

*we create* sustainable outdoor living

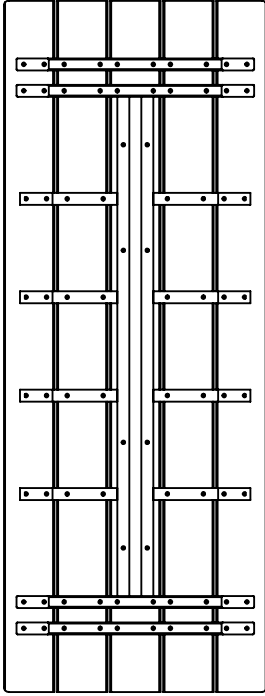
## T52



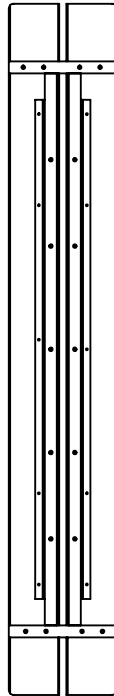
# C.R. PLASTIC PRODUCTS

*we create* sustainable outdoor living

(A) x 1



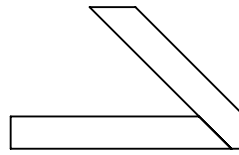
(F) x 2



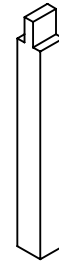
(E) x 2



(C) x 2



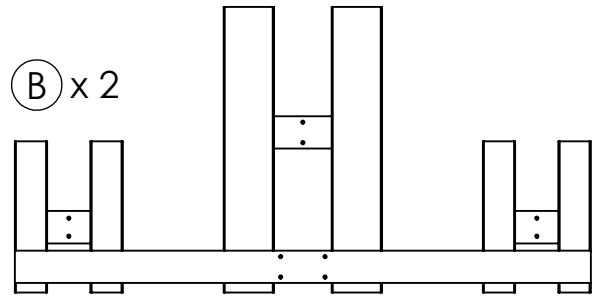
(D) x 1



(G) x 4



(B) x 2

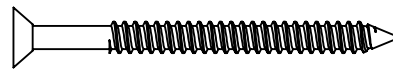


#2



(H) x 68

2.00" / 51 mm



(J) x 2

2.50" / 63.5 mm



1-866-439-9521



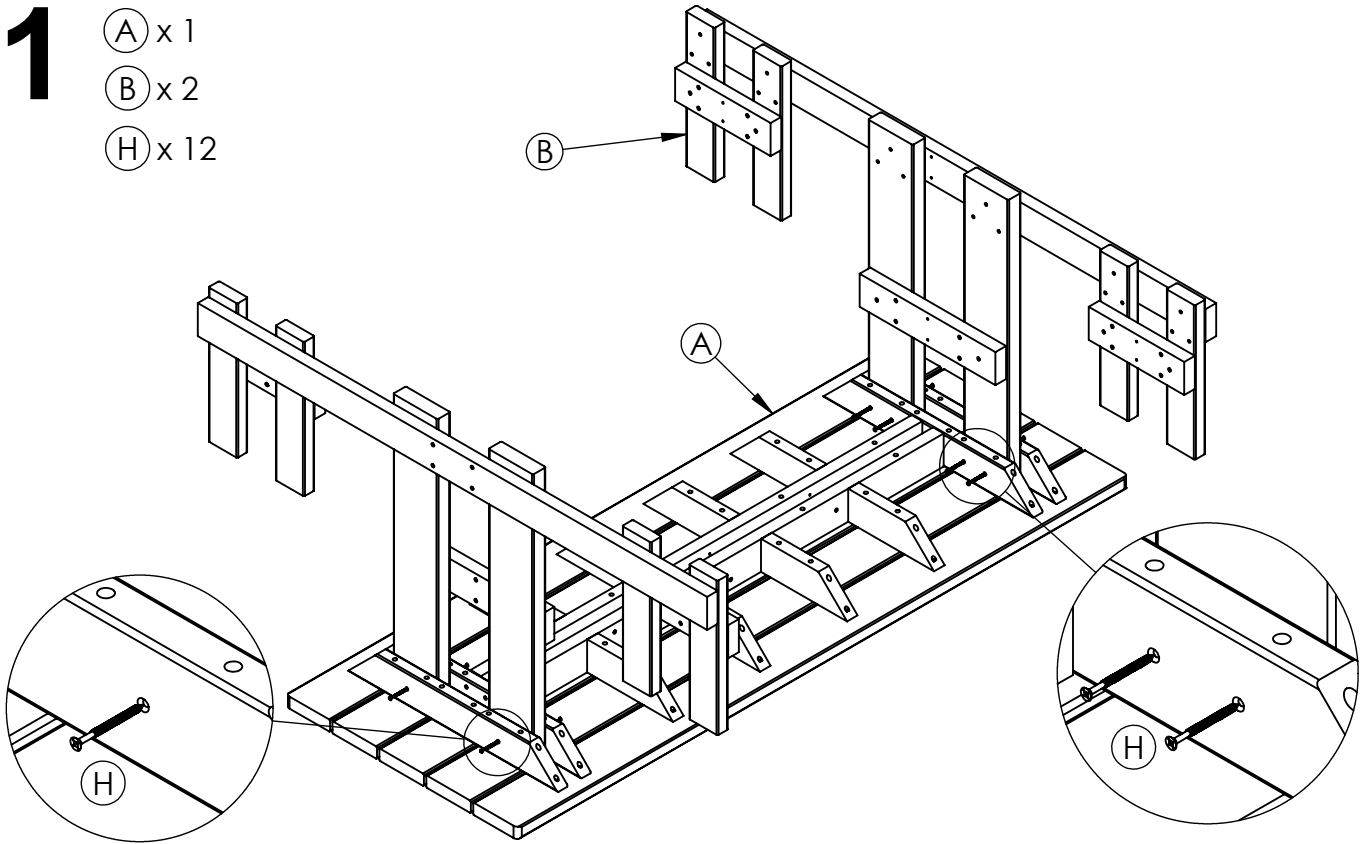
wecare@crplastics.com



www.crpproducts.com

# 1

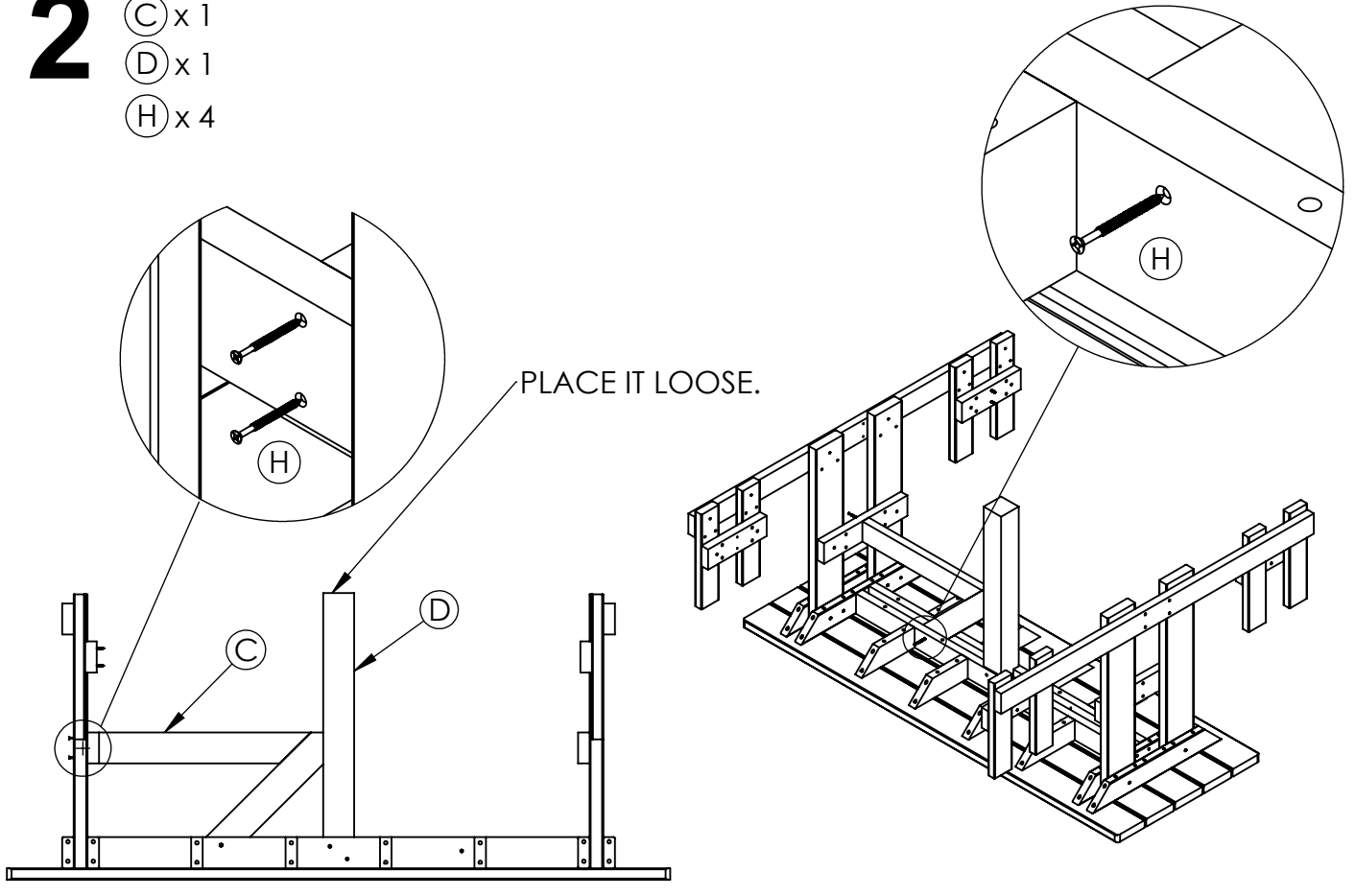
- (A) x 1
- (B) x 2
- (H) x 12



# 2

- (C) x 1
- (D) x 1
- (H) x 4

NOTE: ONE SCREW ON EACH SIDE.

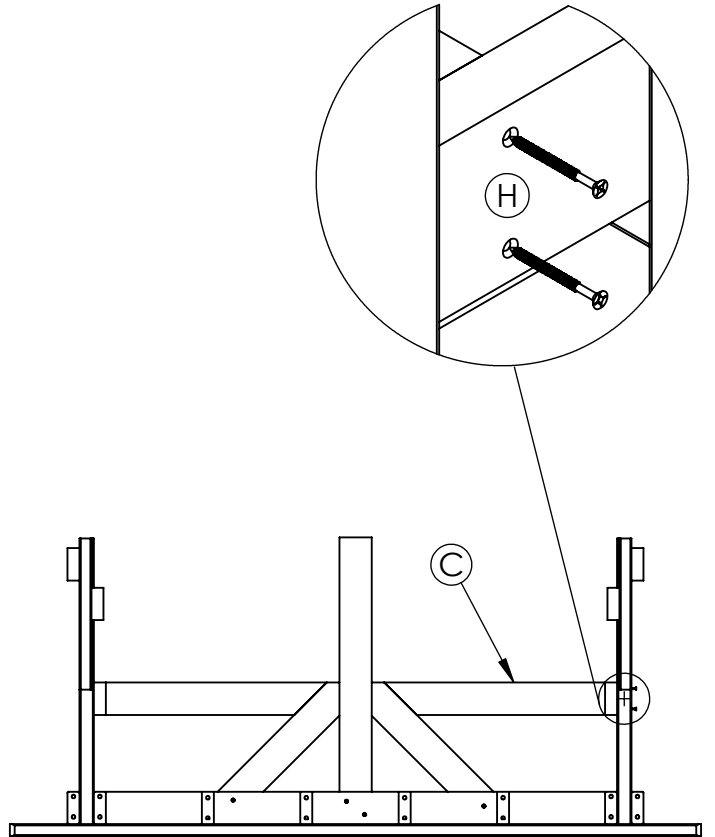
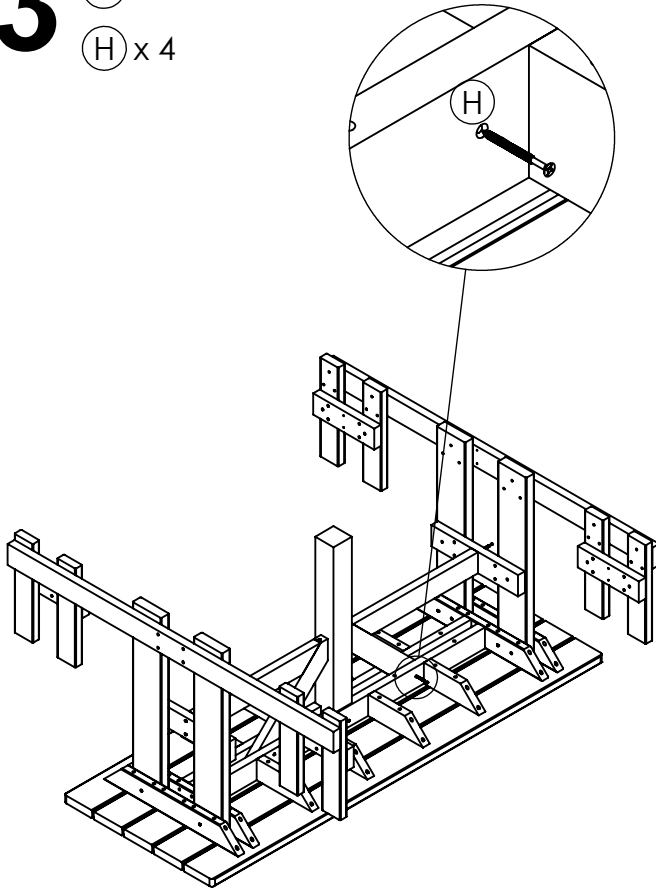


# 3

ⓐ x 1

ⓗ x 4

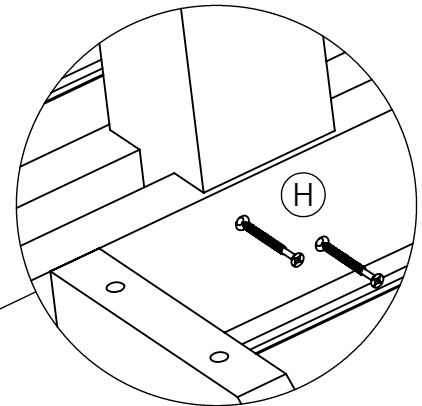
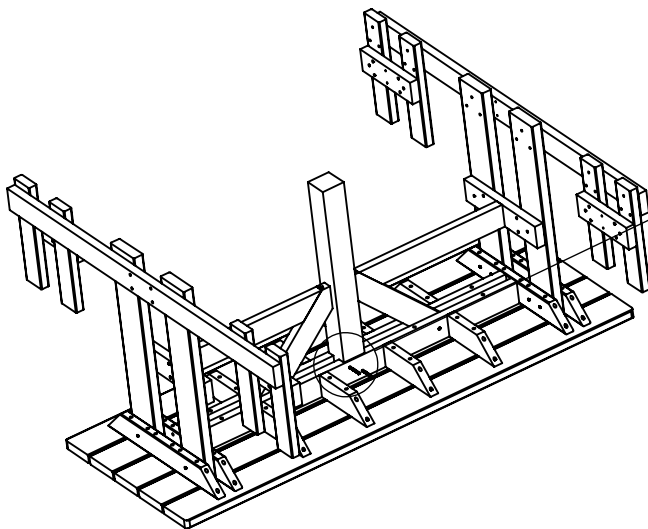
NOTE: ONE SCREW ON EACH SIDE.



# 4

ⓗ x 4

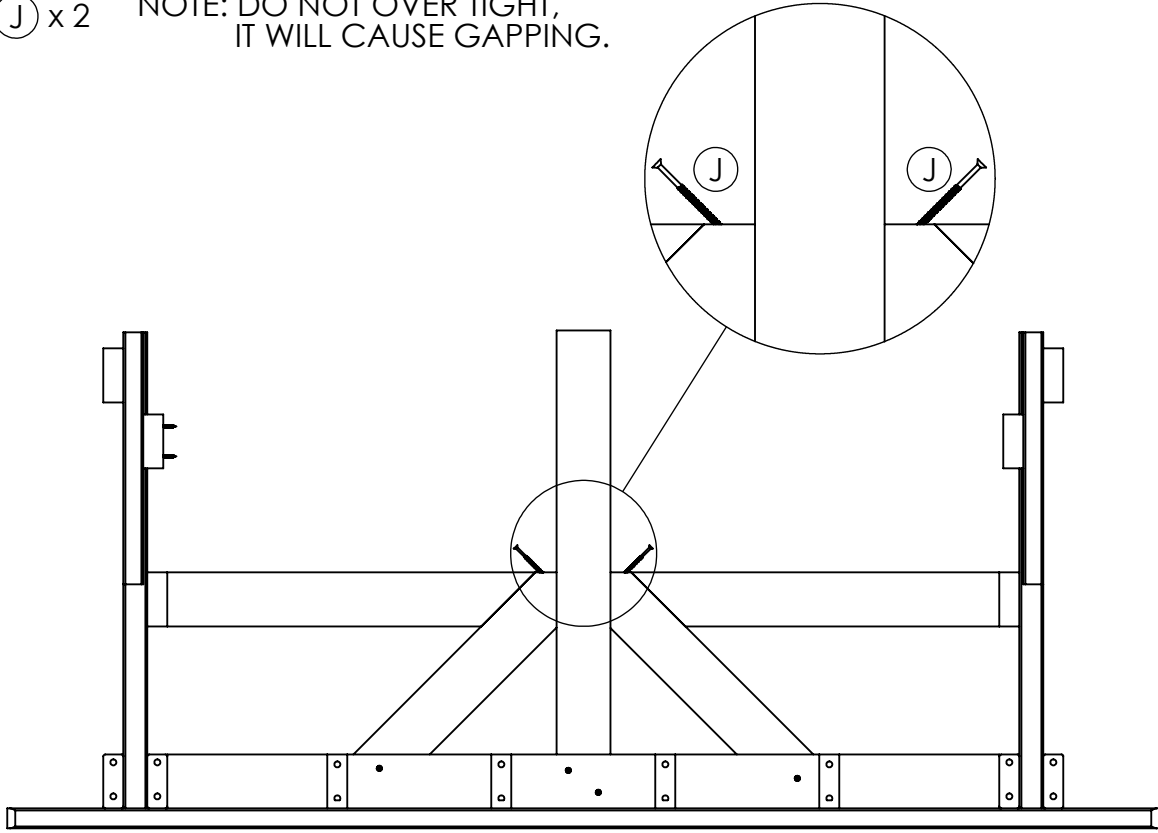
NOTE: TWO SCREWS ON EACH SIDE.



# 5

(J) x 2

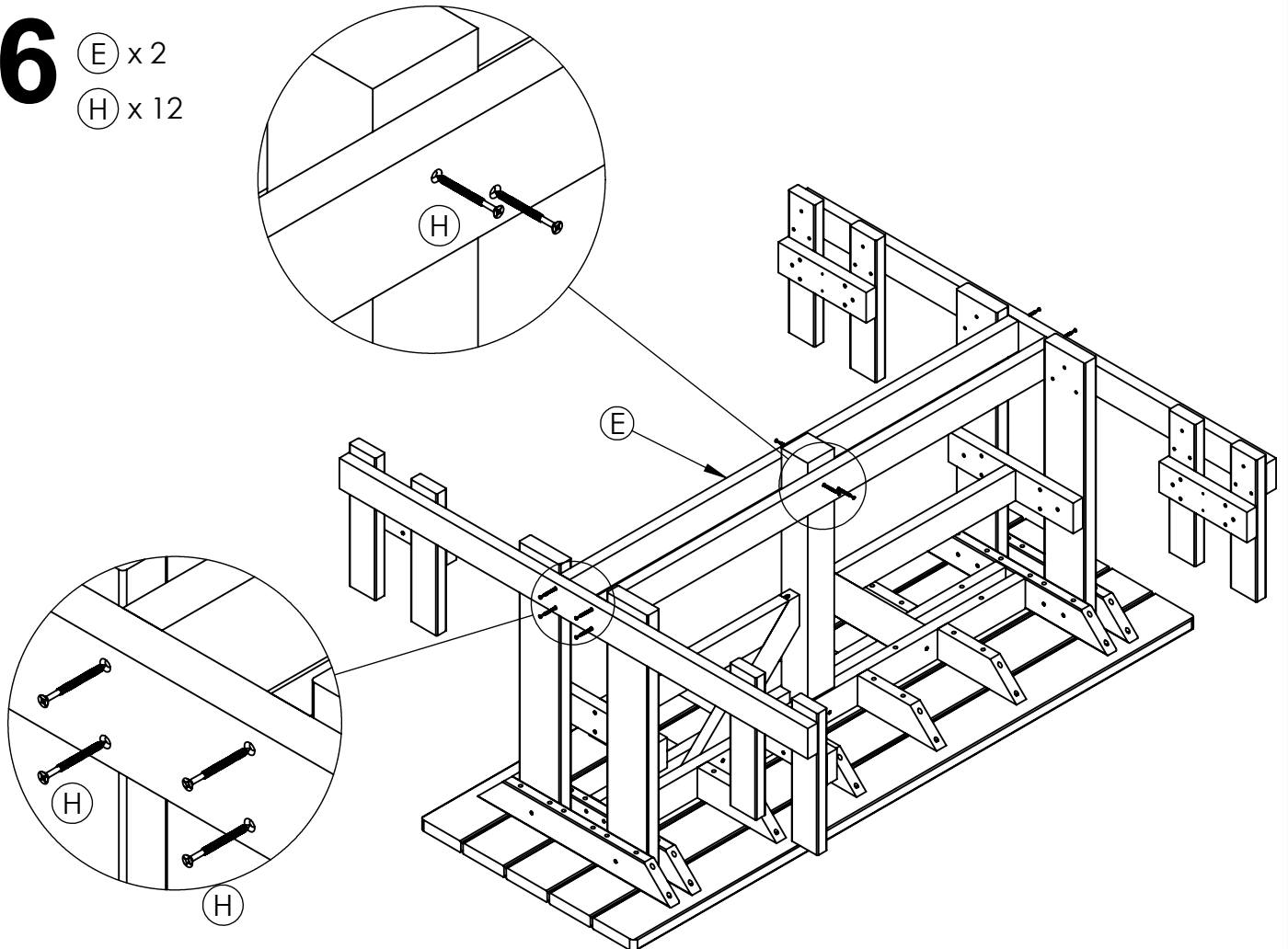
NOTE: DO NOT OVER TIGHT,  
IT WILL CAUSE GAPPING.



# 6

(E) x 2

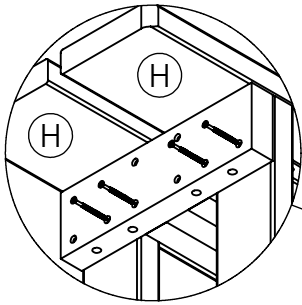
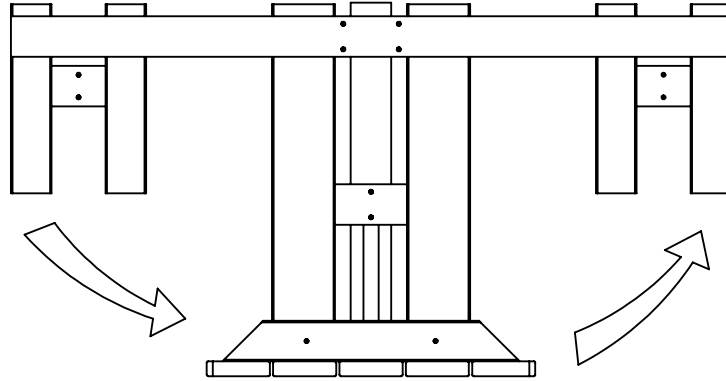
(H) x 12



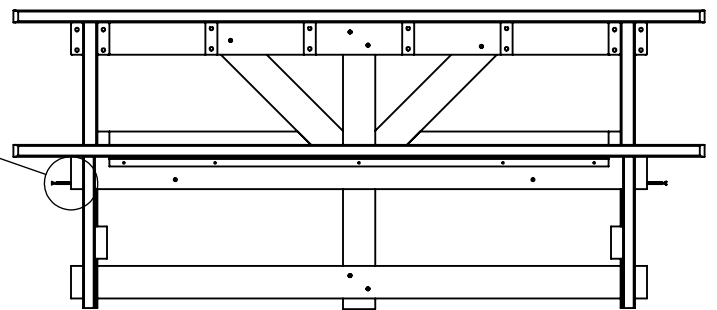
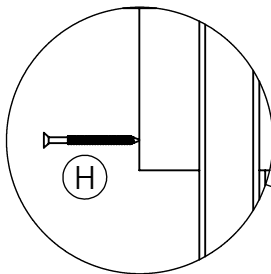
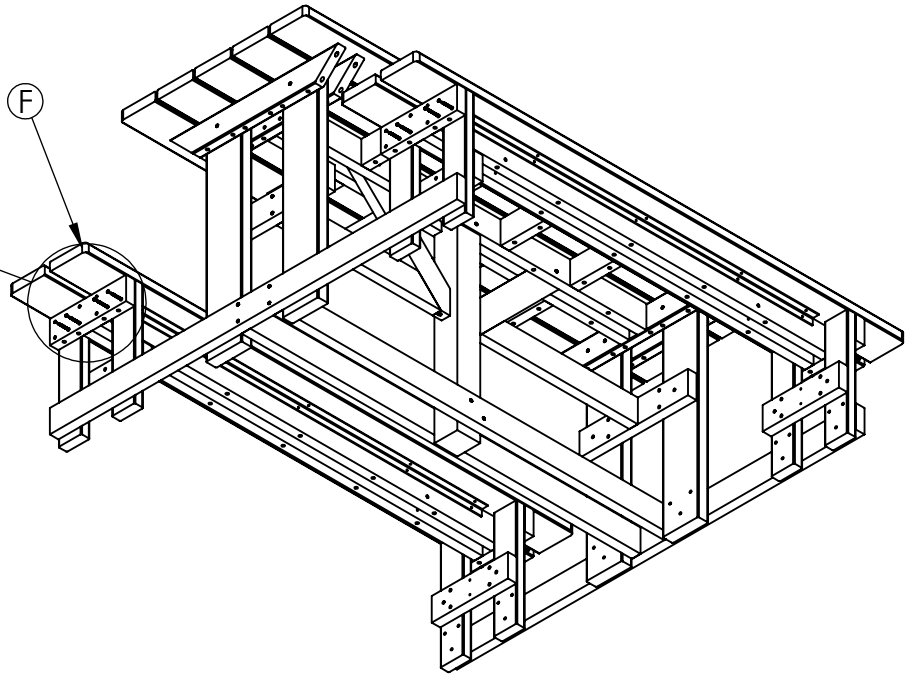
7

(F) x 2

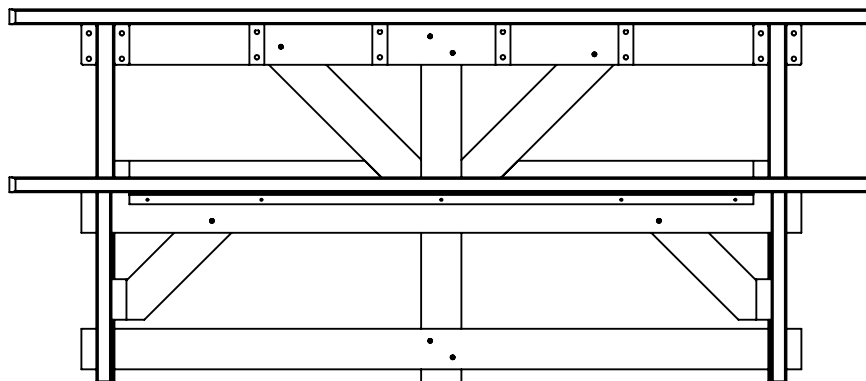
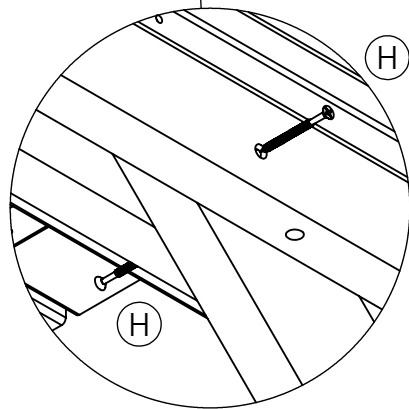
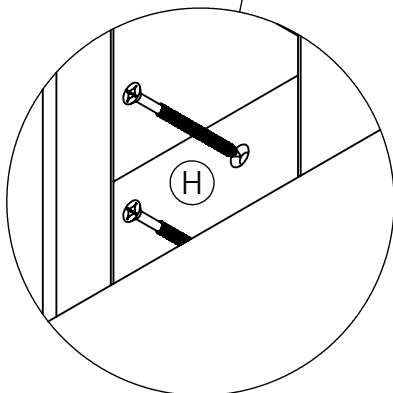
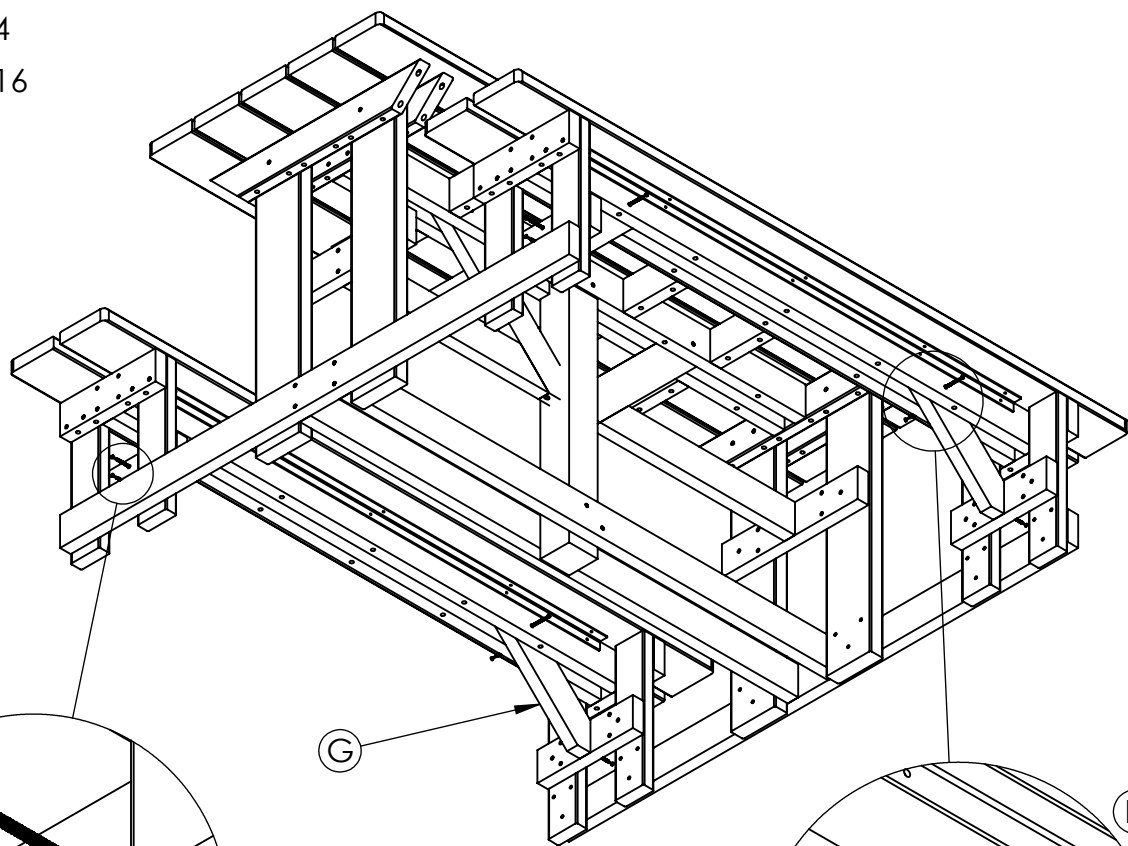
(H) x 16



(F)



8 (G) x 4  
(H) x 16



NOTE: TABLE MUST BE PLACE ON A FLAT SURFACE.

