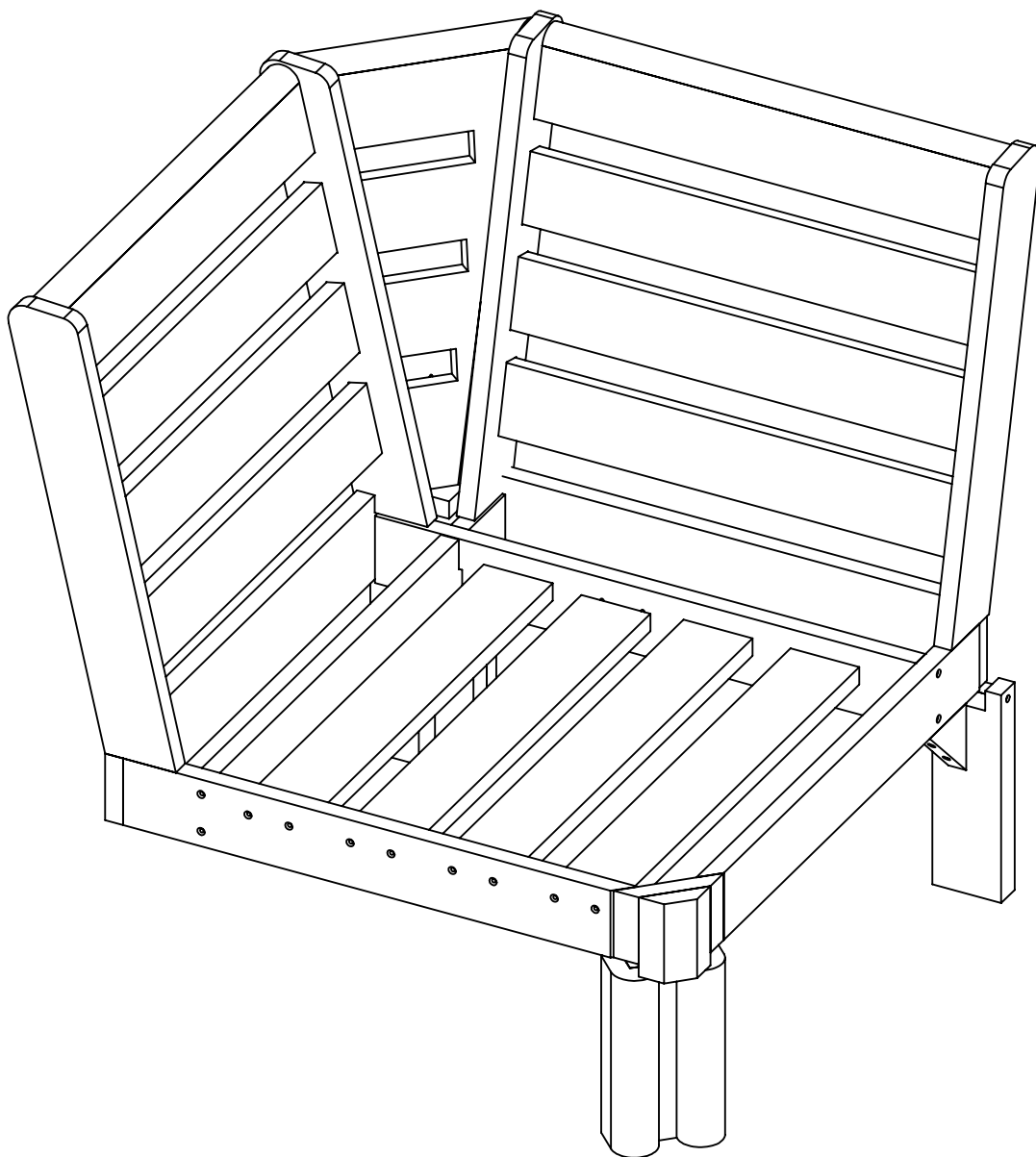




we create sustainable outdoor living

DSF266 - Sectional Corner Piece

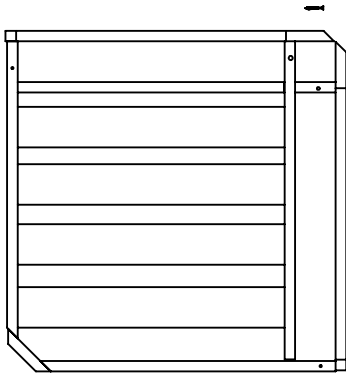


C.R. PLASTIC PRODUCTS

we create sustainable outdoor living

DSF266

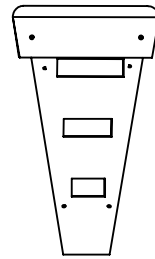
Ⓐ x1



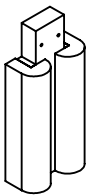
Ⓑ x2



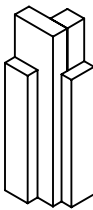
Ⓒ x1



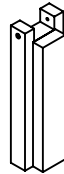
Ⓔ x1



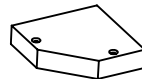
Ⓕ x1



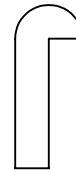
Ⓖ x1



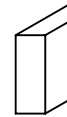
Ⓗ x1



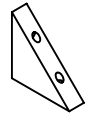
Ⓘ x2



Ⓙ x1



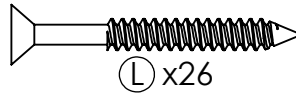
Ⓚ x1



#2

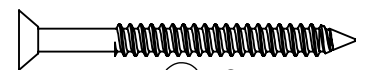


1.5" (38mm) SCREW



Ⓛ x26

1.75" (44.4mm) SCREW



Ⓝ x2

2.5" (64mm) SCREW



Ⓜ x4



800.490.1283



crpproducts.com

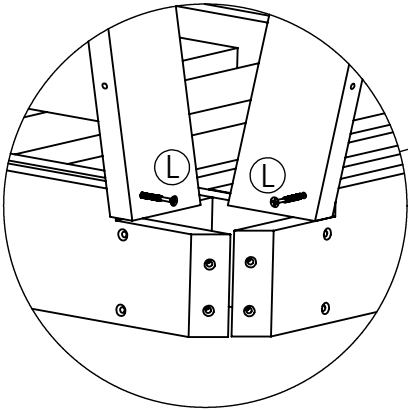
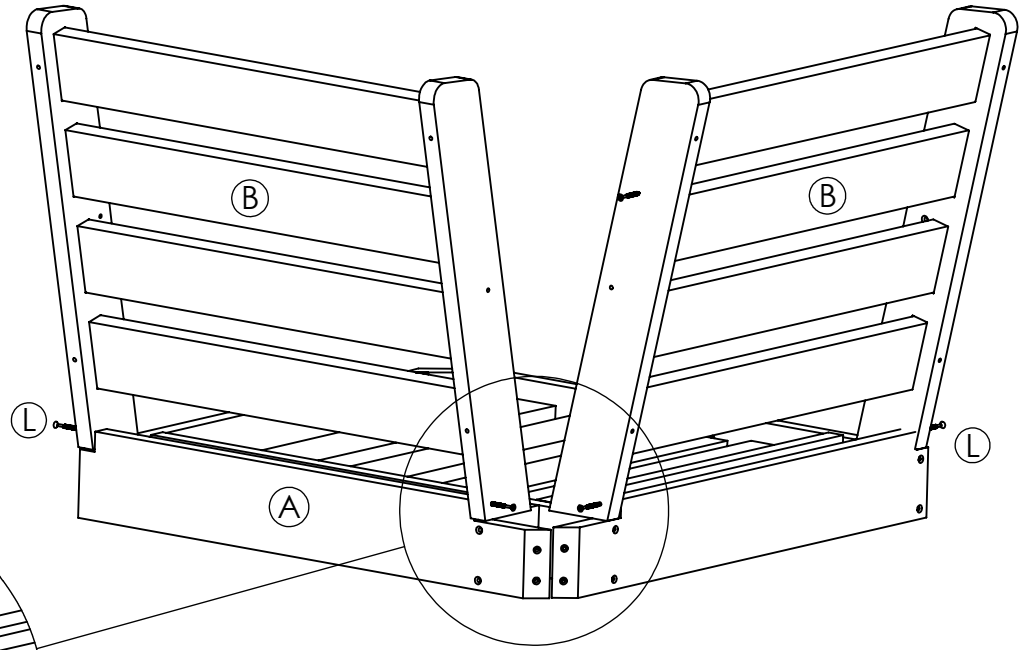
FAX 519.271.8544

1

Ⓐ x1

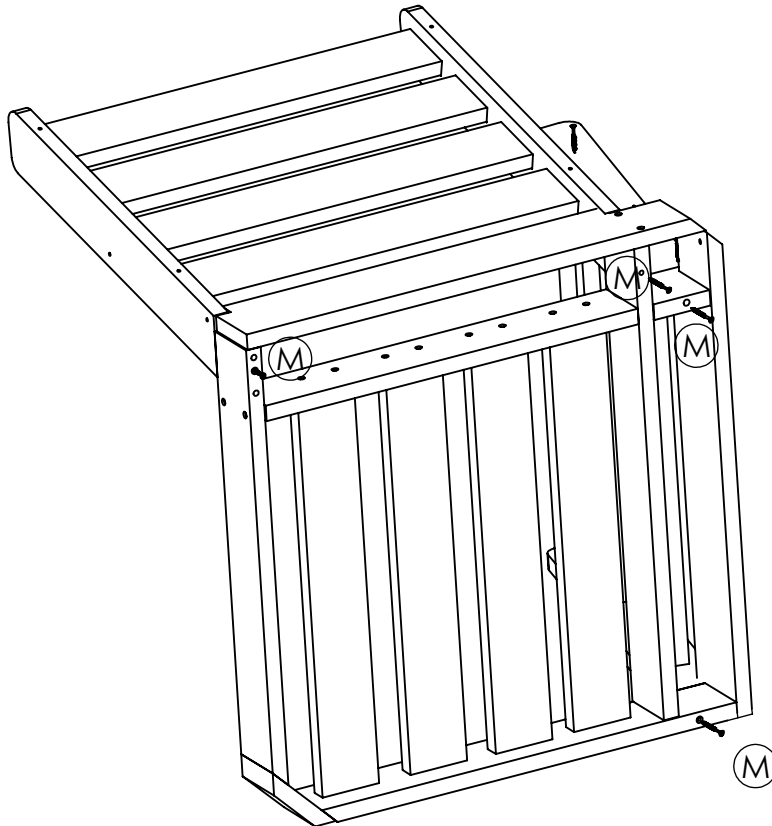
Ⓑ x2

Ⓘ x4



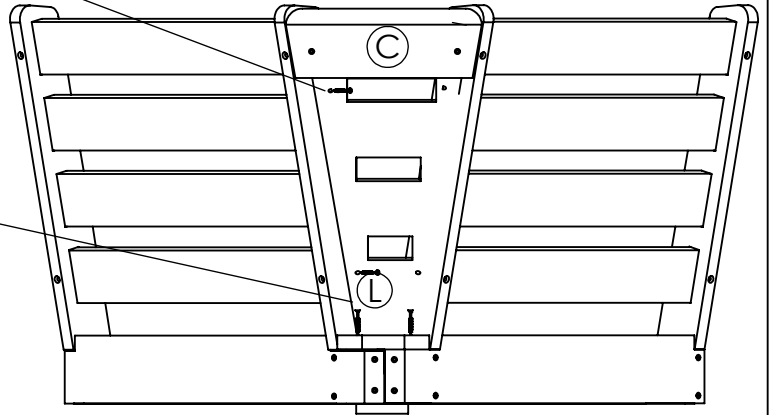
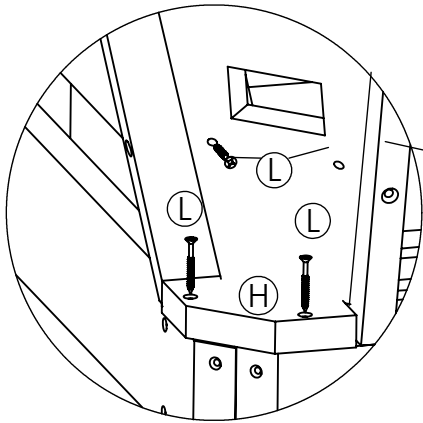
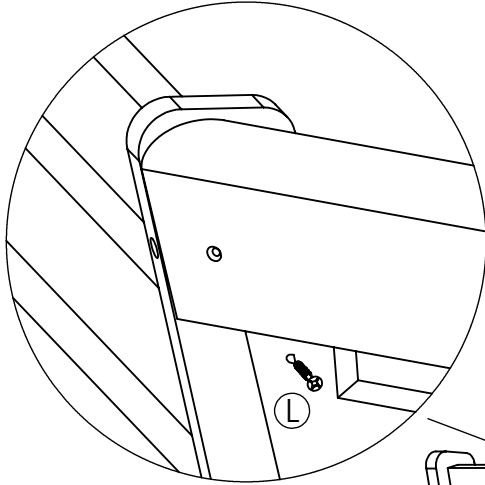
2

Ⓜ x4



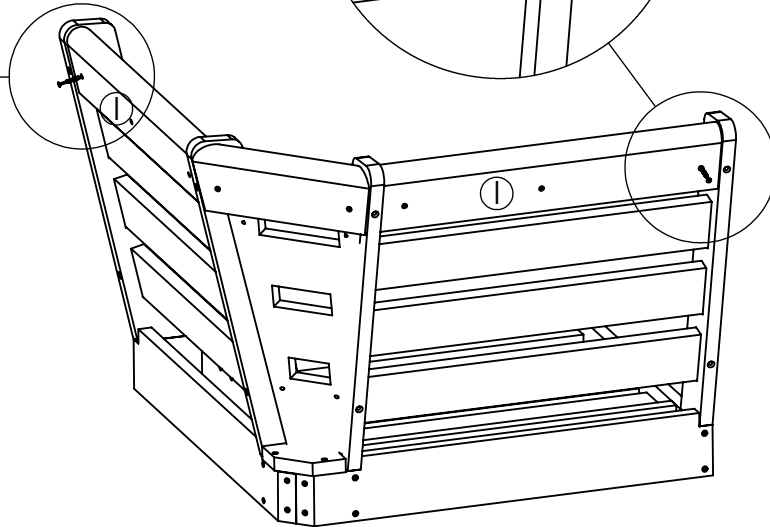
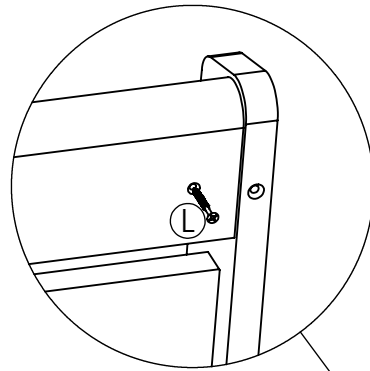
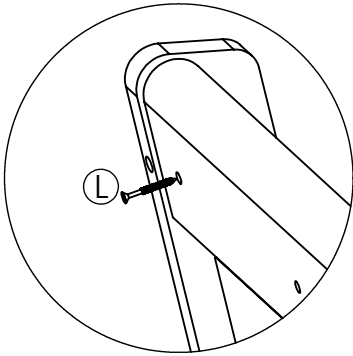
3

- ⓐ x1
- ⓑ x1
- ⓒ x6



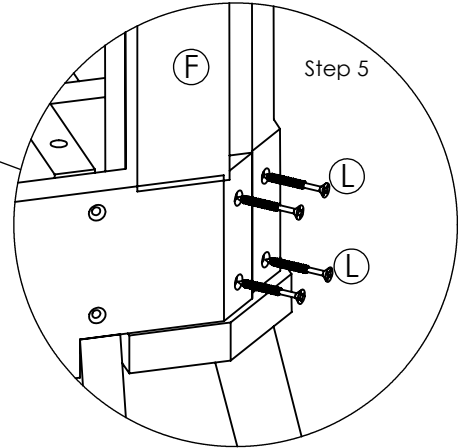
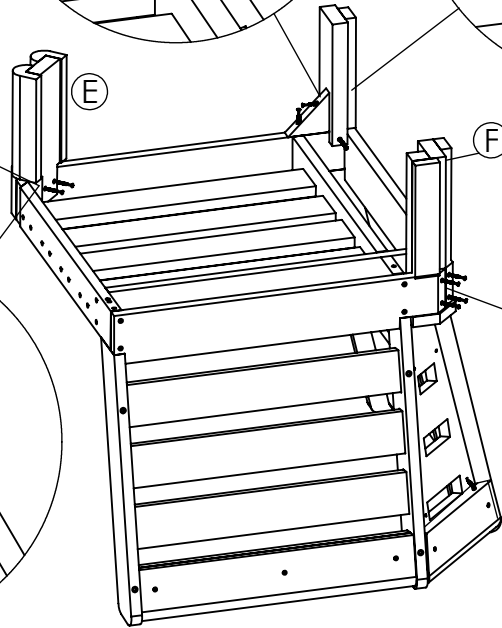
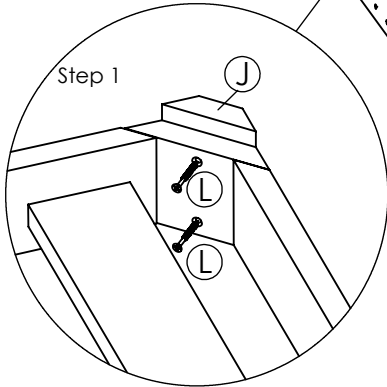
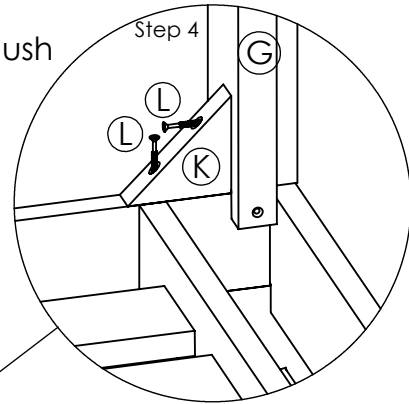
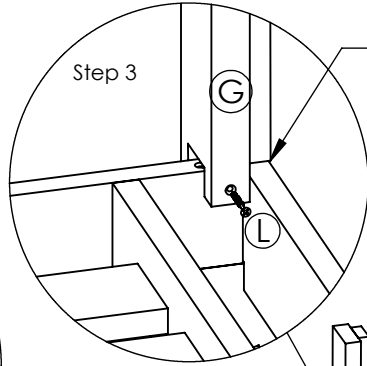
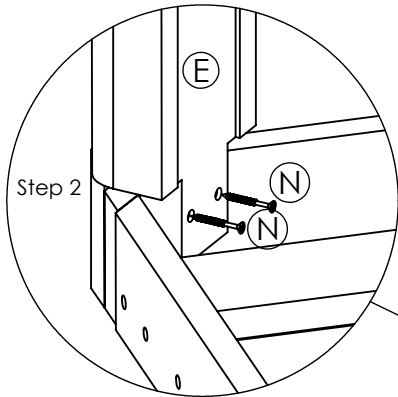
4

- ⓓ x2
- ⓔ x6

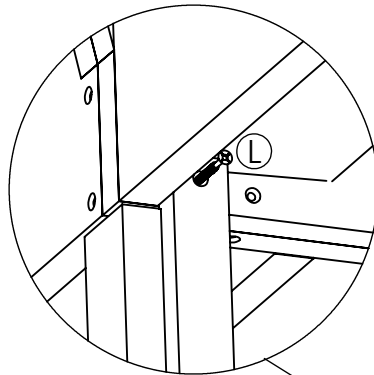


5

- E x1
- F x1
- G x1
- J x1
- K x1
- L x10
- N x2

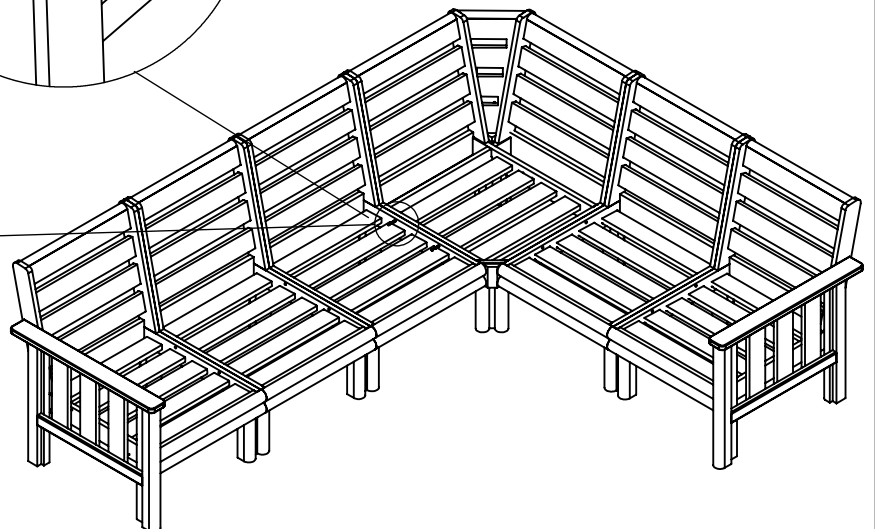
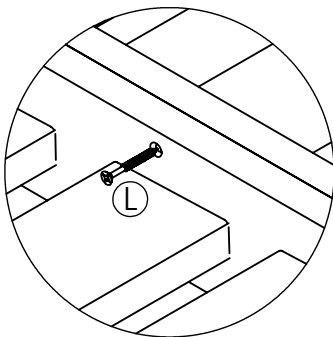


6



Screws to attach the expansion and second back leg comes with the expansion kit DSF265

Please refer to DSF265 instructions to assemble the arms and center legs



Once you assembled the sectional and the two add-ons (DSF 265) each side, you should have one extra add-on front leg which does not need to be used.