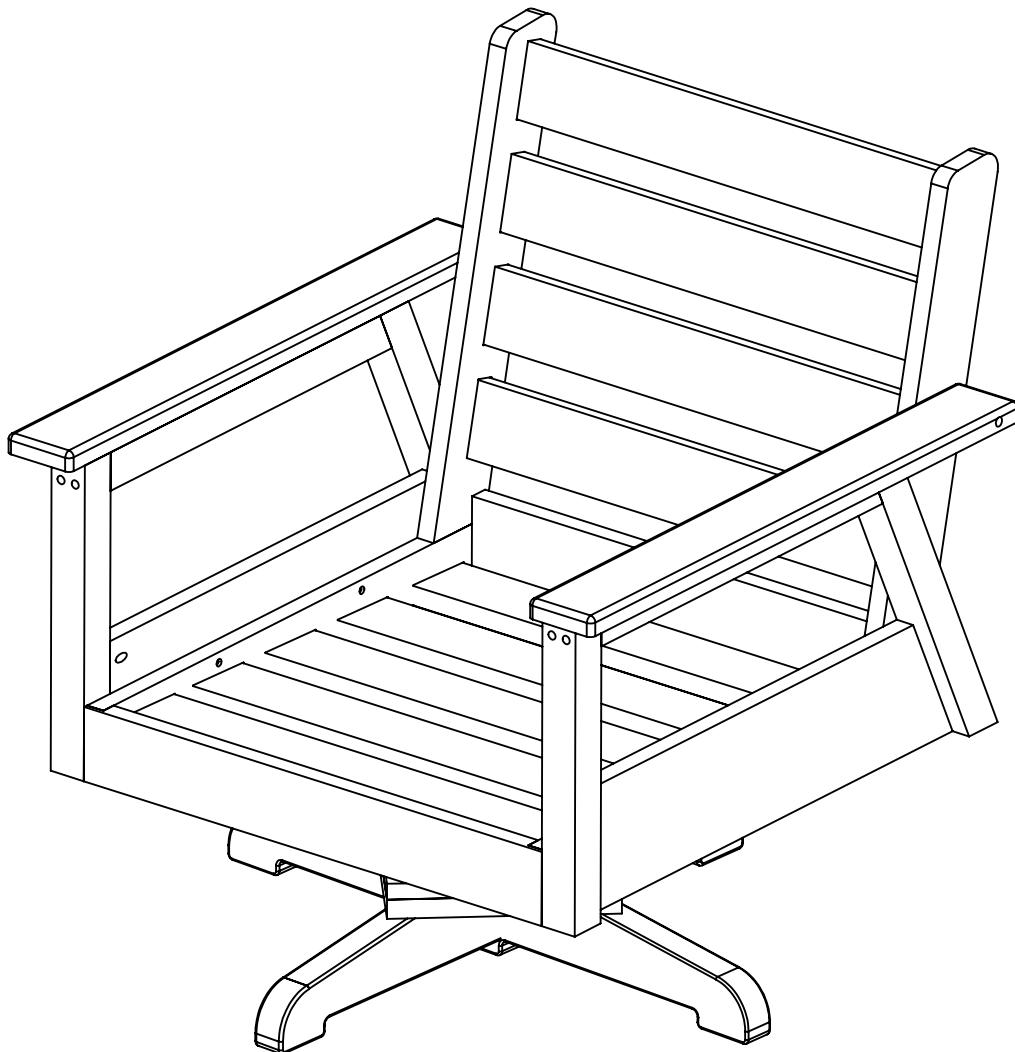




*we create* sustainable outdoor living

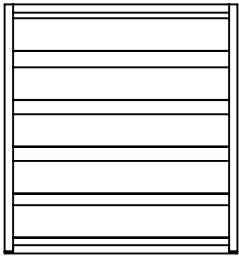
## DSF284 - Swivel Armchair



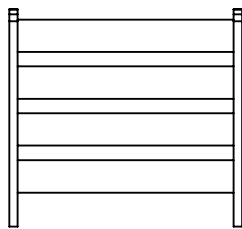
# C.R. PLASTIC PRODUCTS

*we create* sustainable outdoor living

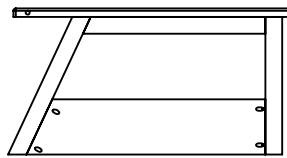
A x1



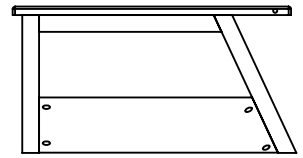
B x1



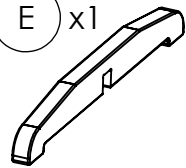
C x1



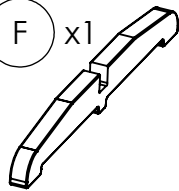
D x1



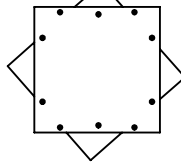
E x1



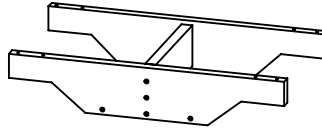
F x1



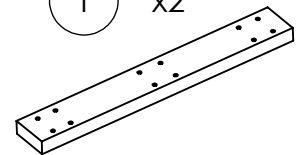
G x1



H x1

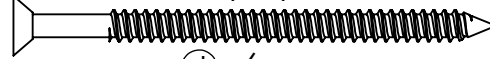


I x2



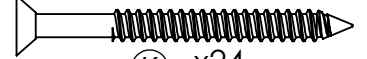
#2

2 1/2" / 64mm



J x6

1-3/4" / 44.45 mm



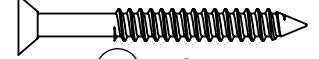
K x24

3" / 76.2 mm



L x8

1-1/2" / 38 mm



M x18



1-866-439-9521



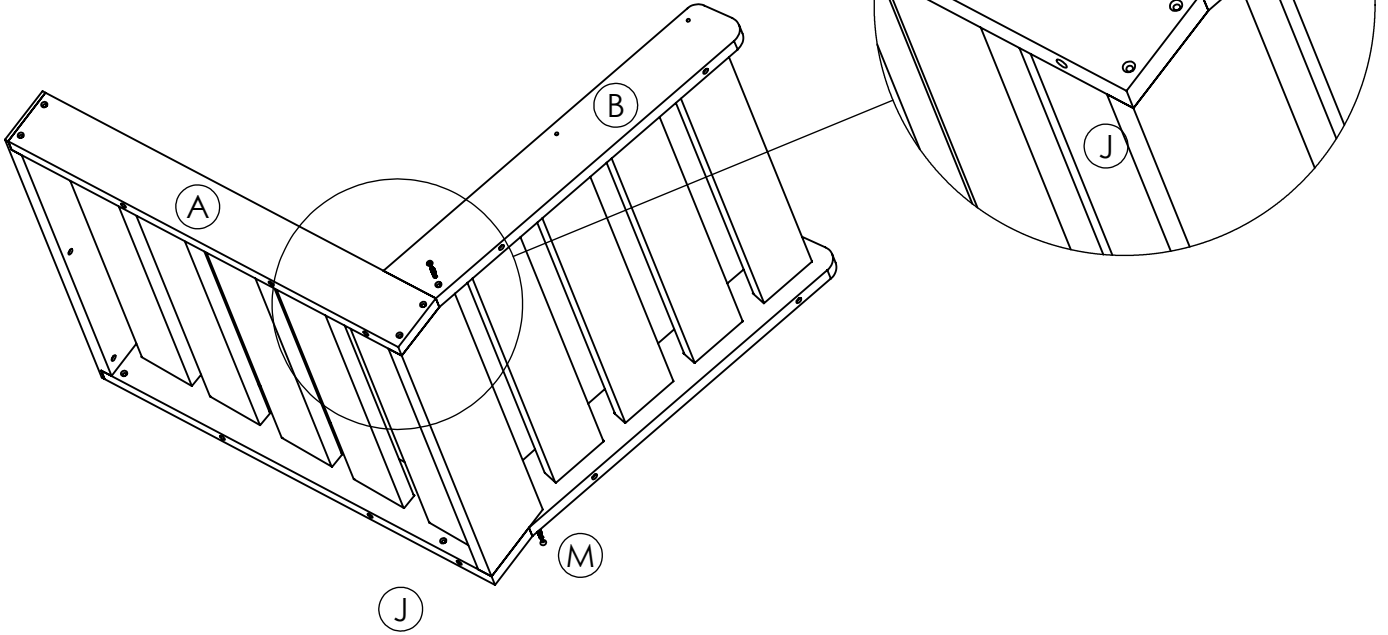
wecare@crplastics.com



www.crpproducts.com

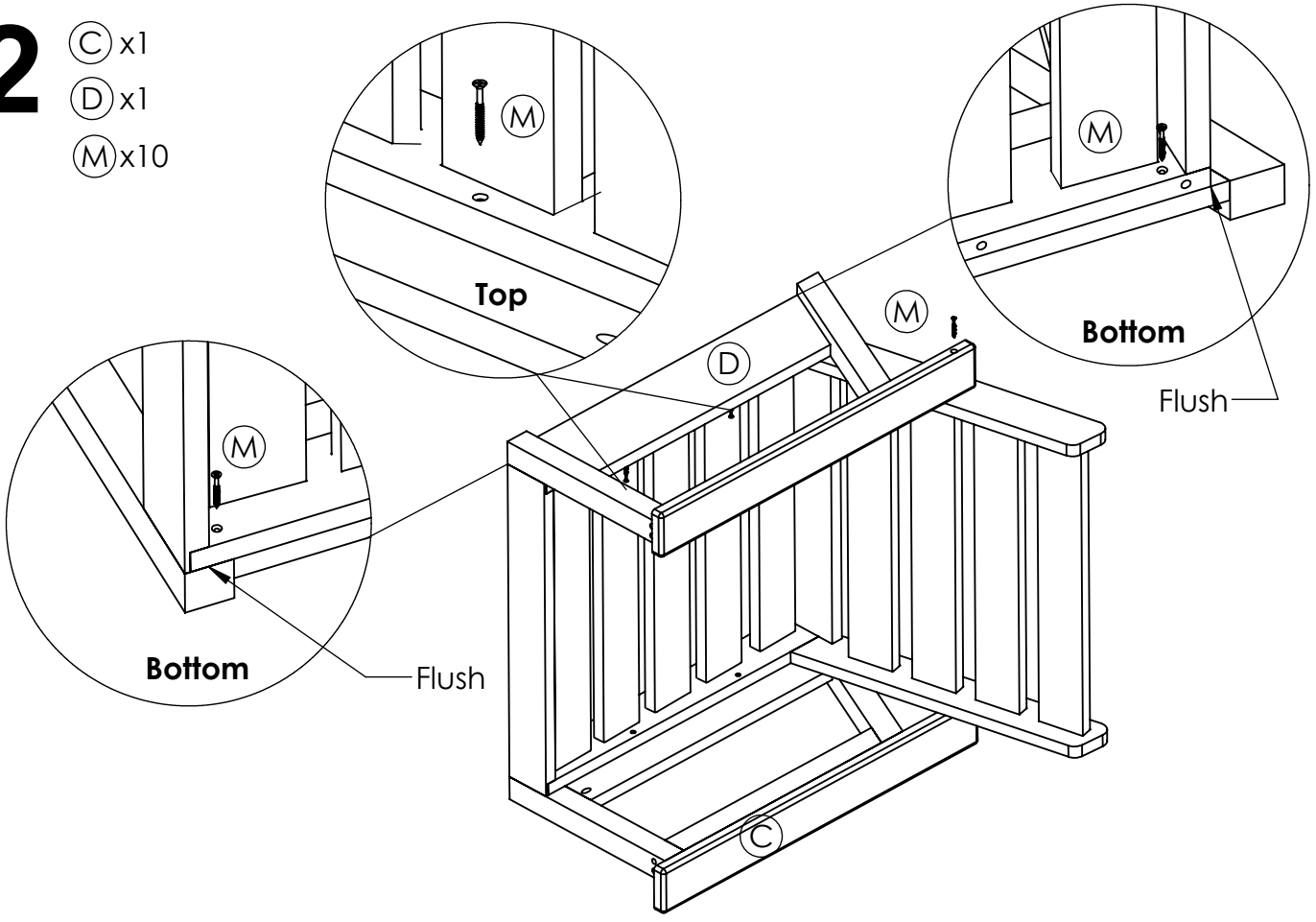
# 1

- (A) x1
- (B) x1
- (M) x2
- (J) x2



# 2

- (C) x1
- (D) x1
- (M) x10



# 3

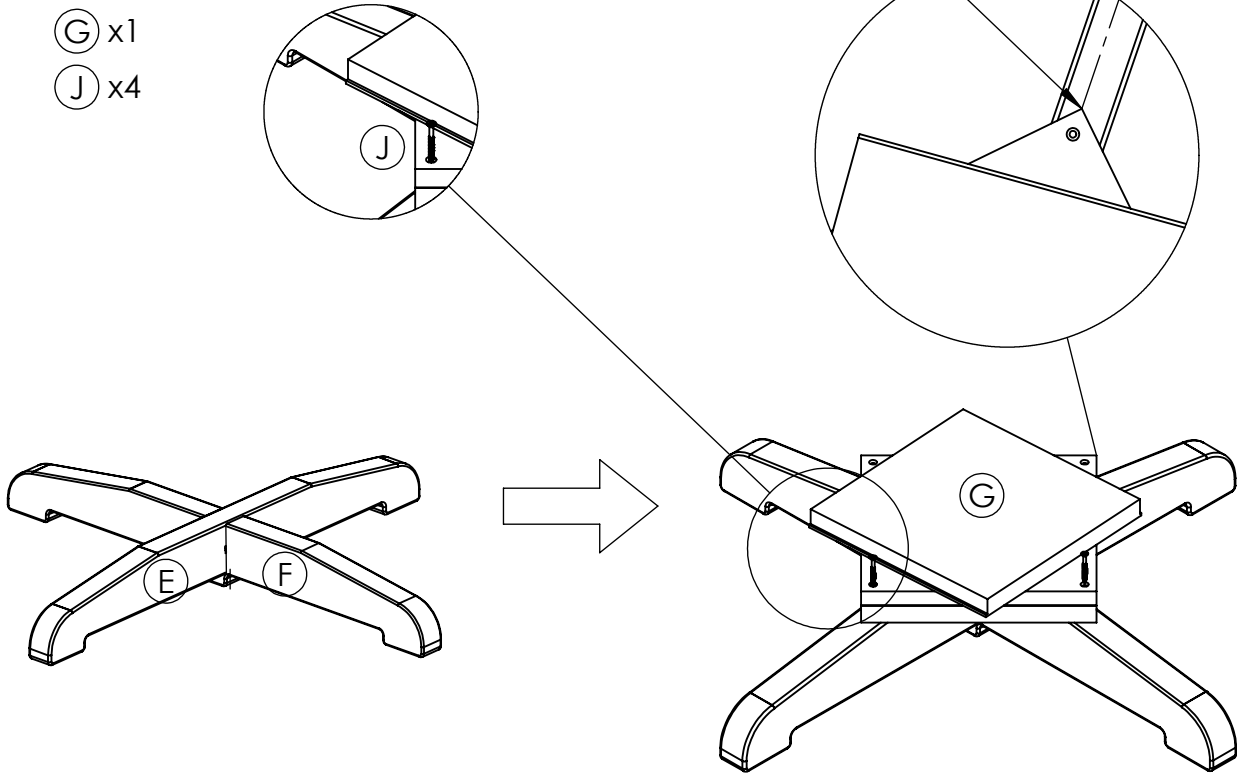
ⓔ x1

ⓕ x1

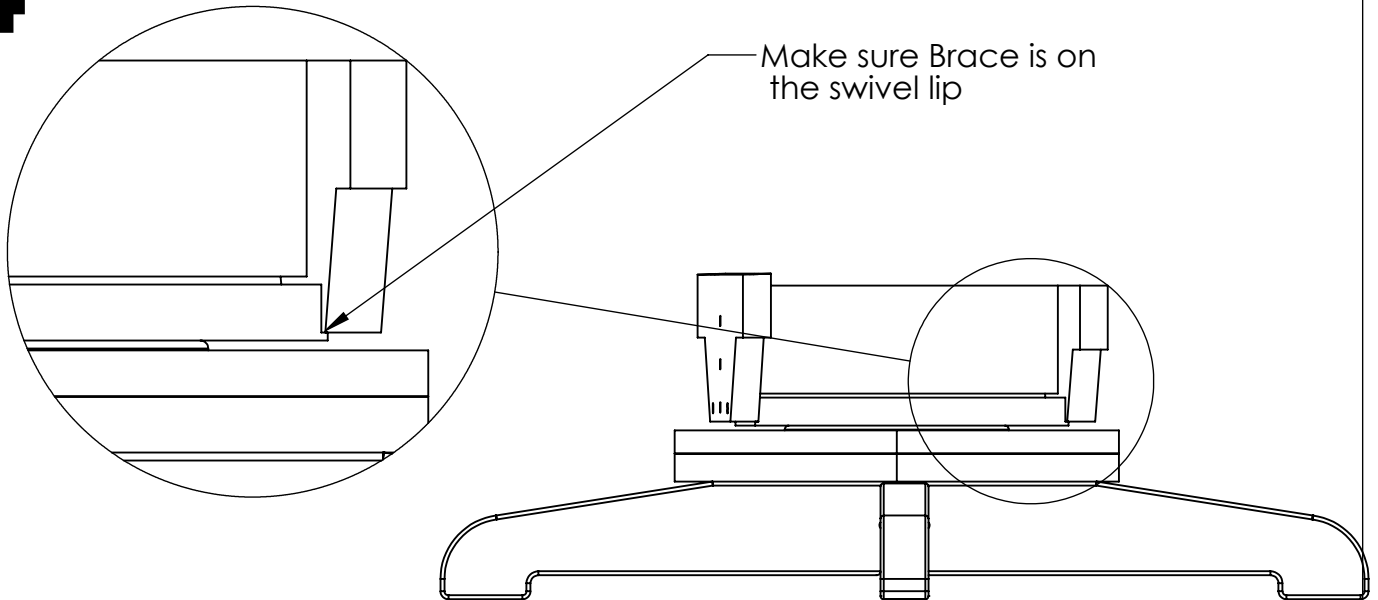
ⓖ x1

ⓙ x4

Align with center on all 4 corners  
before fastening



# 4

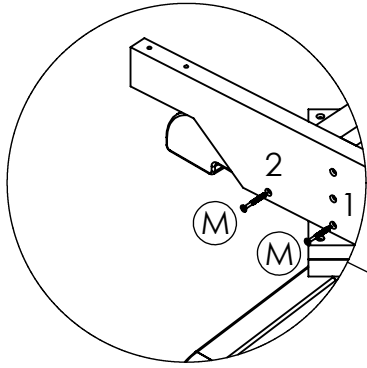


# 5

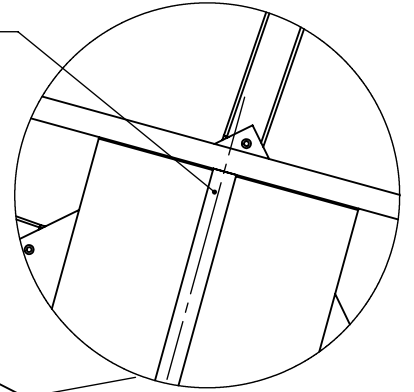
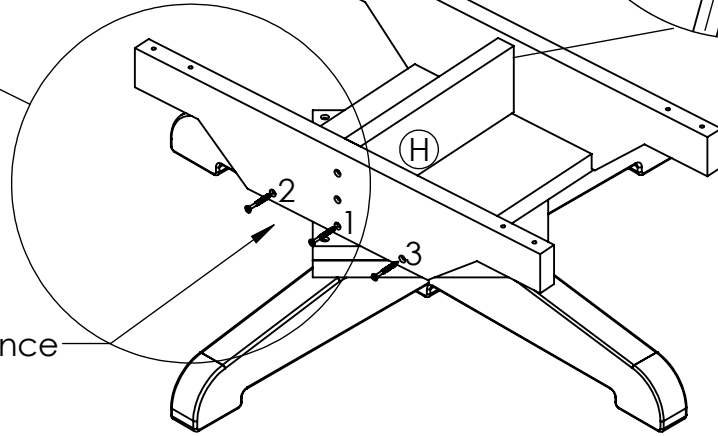
Ⓜx1

Ⓜx6

Center the H-Brace



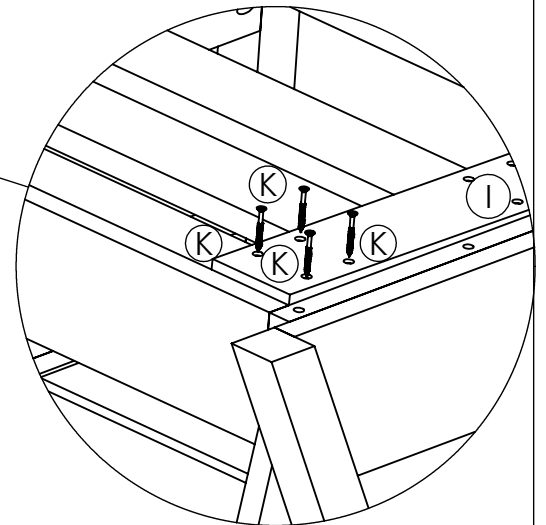
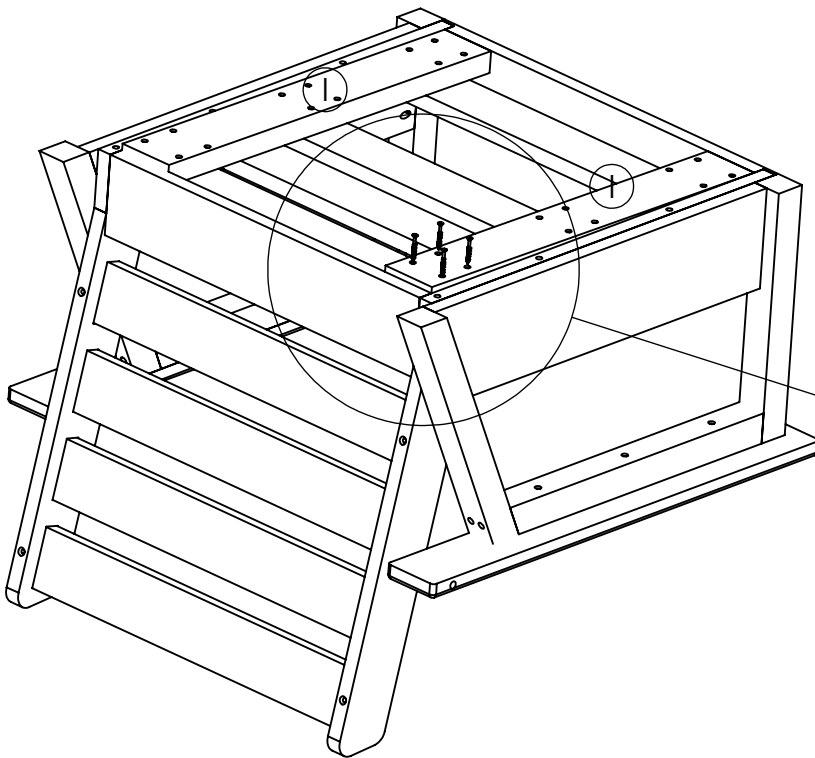
Fastening Sequence



# 6

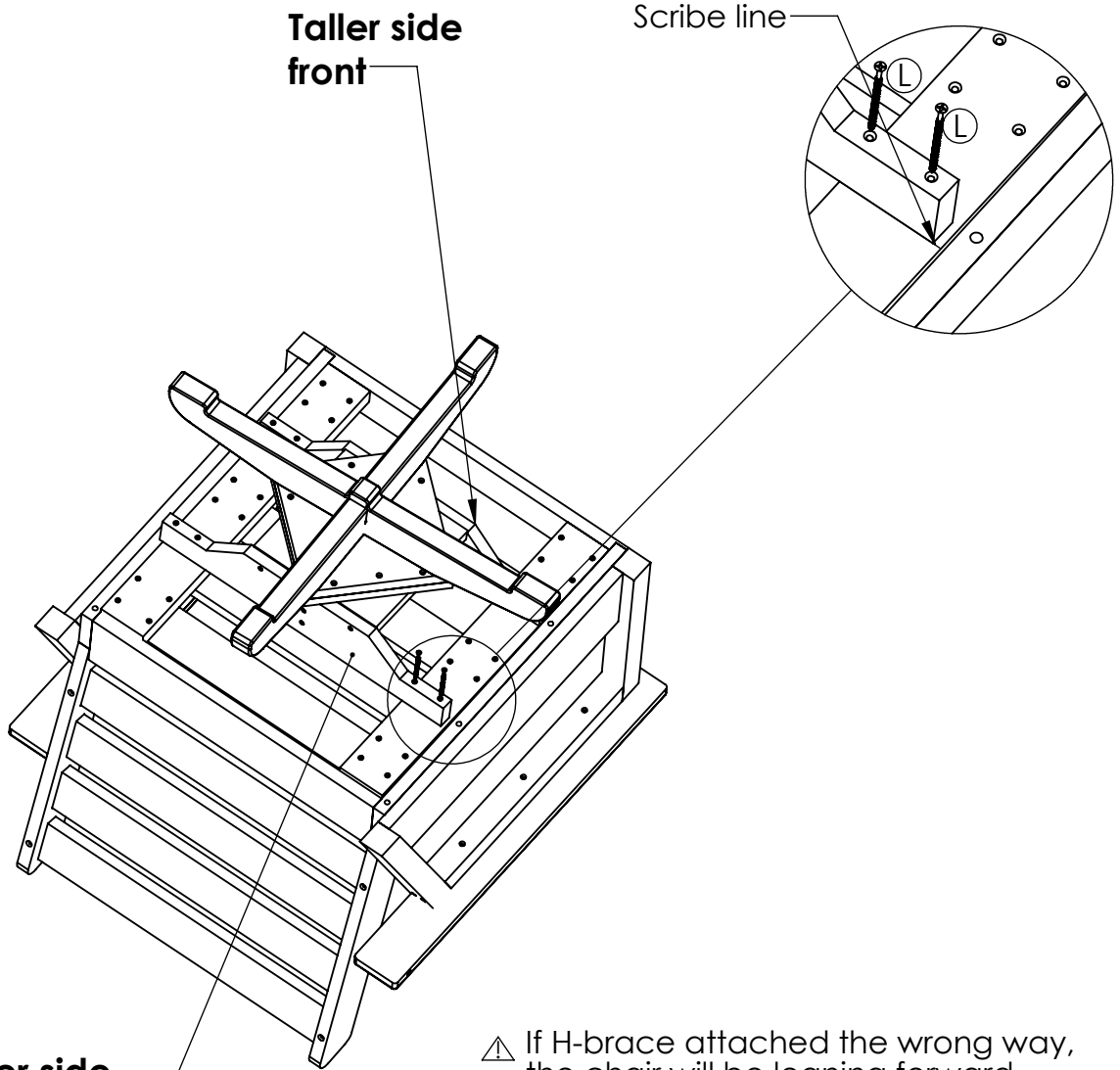
Ⓛ x2

Ⓚ x24



# 7

Ⓛ x8



⚠ If H-brace attached the wrong way, the chair will be leaning forward

