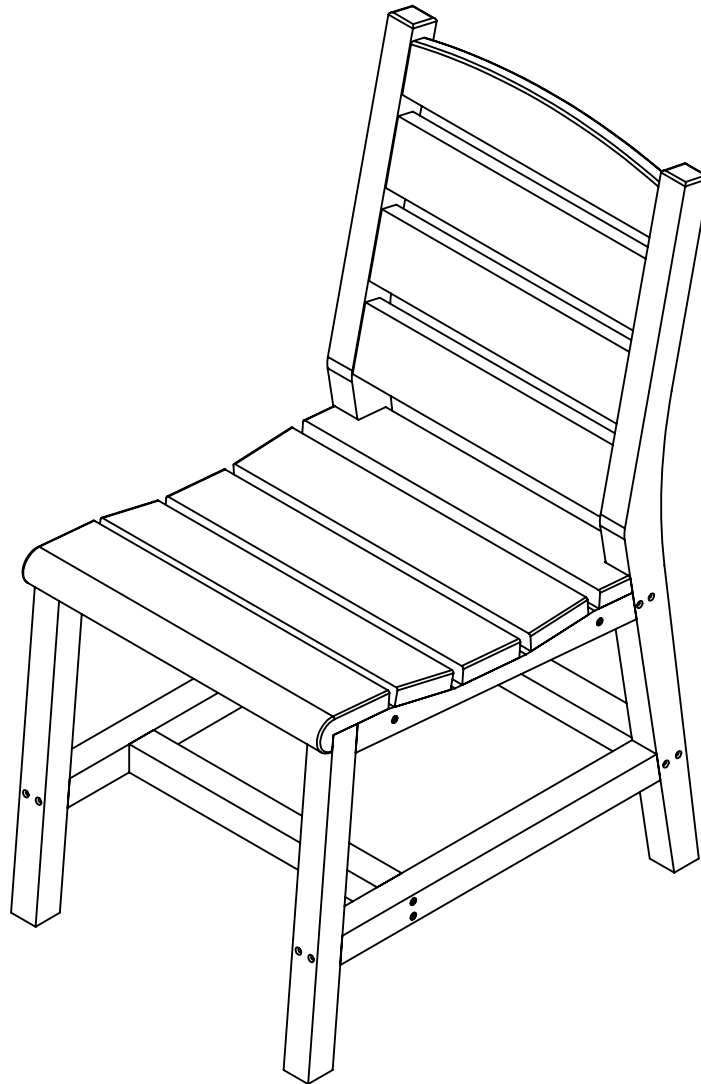


 **C.R. PLASTIC
PRODUCTS** 

we create sustainable outdoor living

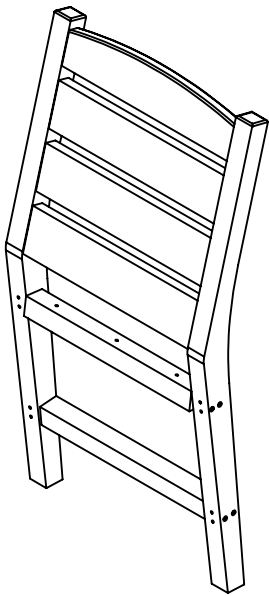
C301



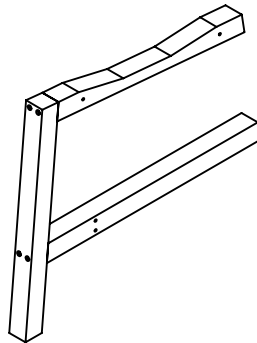
C.R. PLASTIC PRODUCTS

we create sustainable outdoor living

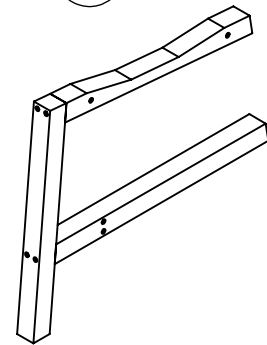
(A) X 1



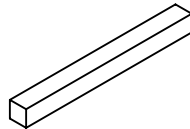
(B) X 1



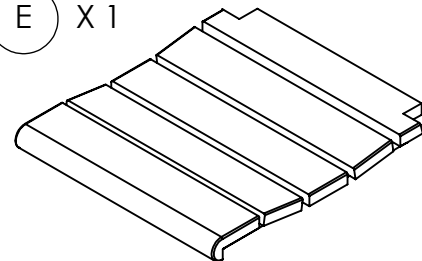
(C) X 1



(D) X 1



(E) X 1



#2

(F) X 16

2.50" / 63.5 mm



(G) X 3

2.00" / 51 mm



1-866-439-9521



wecare@crplastics.com



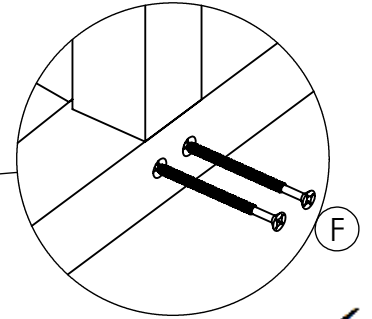
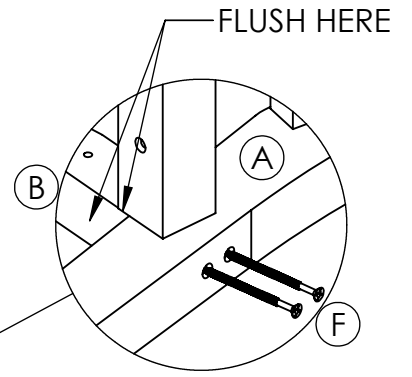
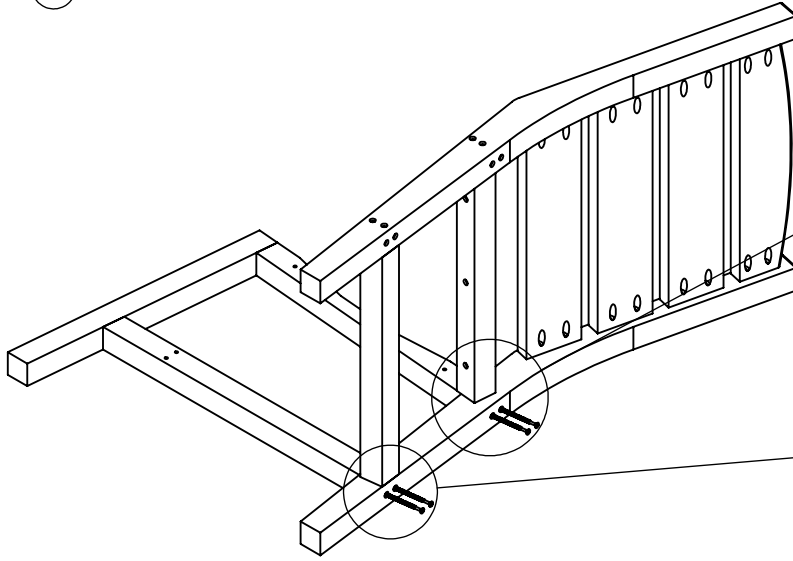
www.crpproducts.com

1

(A) x 1

(B) x 1

(F) x 4



NOTE: MAKE SURE TO FLUSH FRAME TO BACK CENTER STRINGER AS SHOWN.

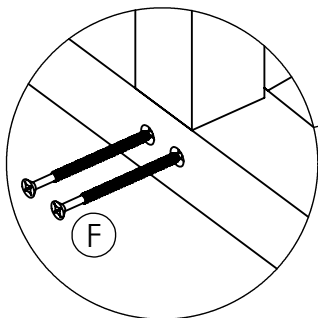
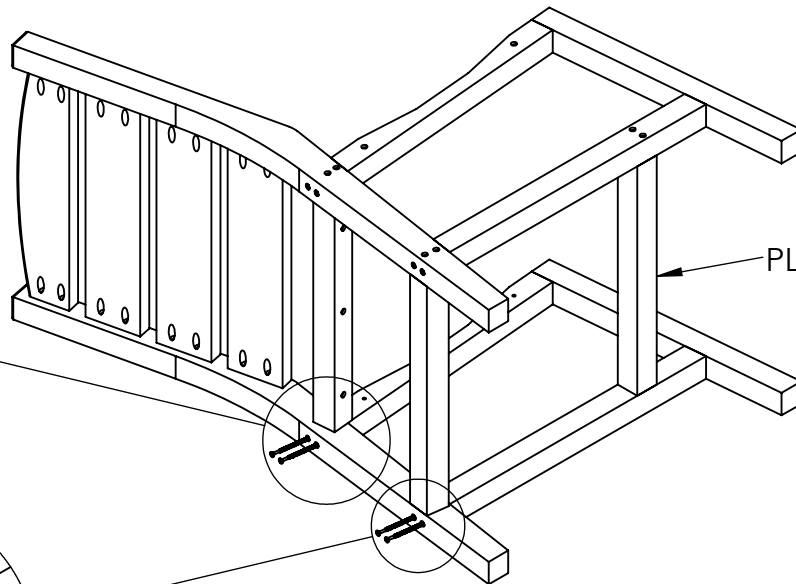
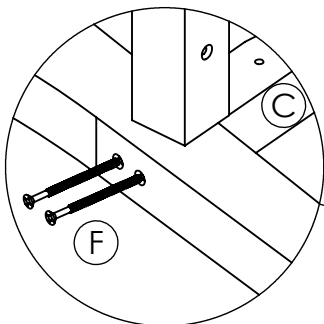
2

(C) x 1

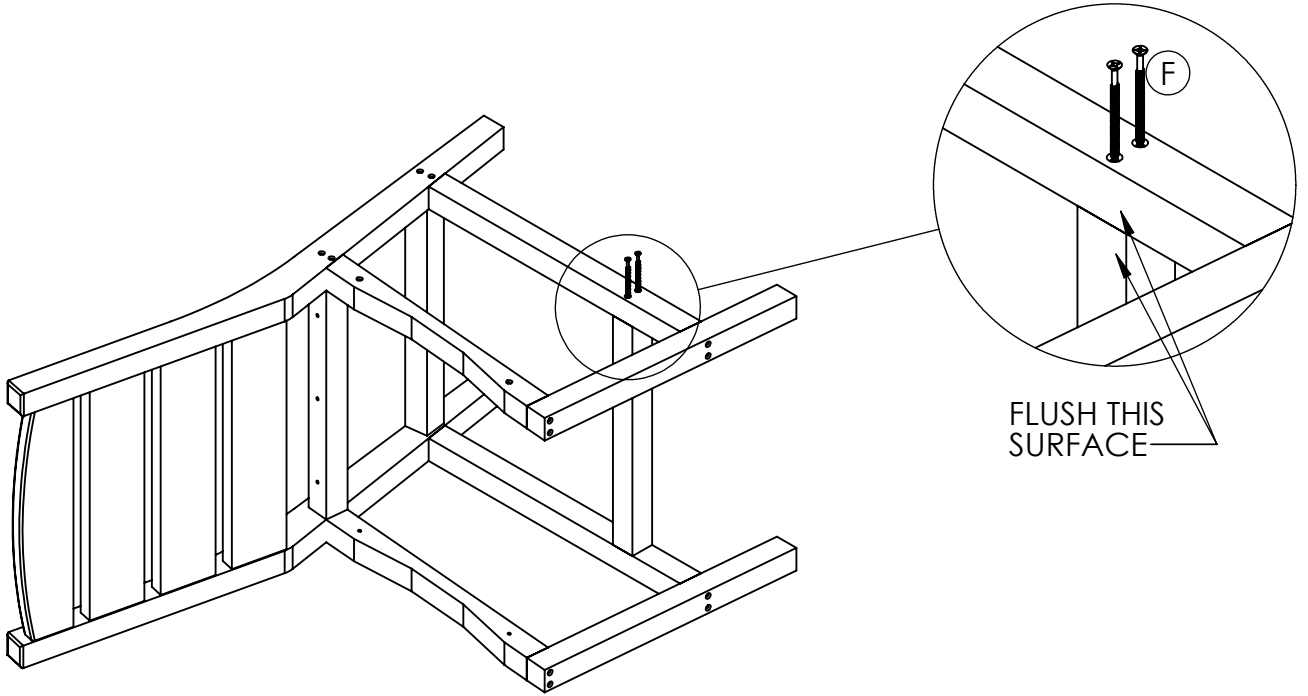
(D) x 1

(F) x 4

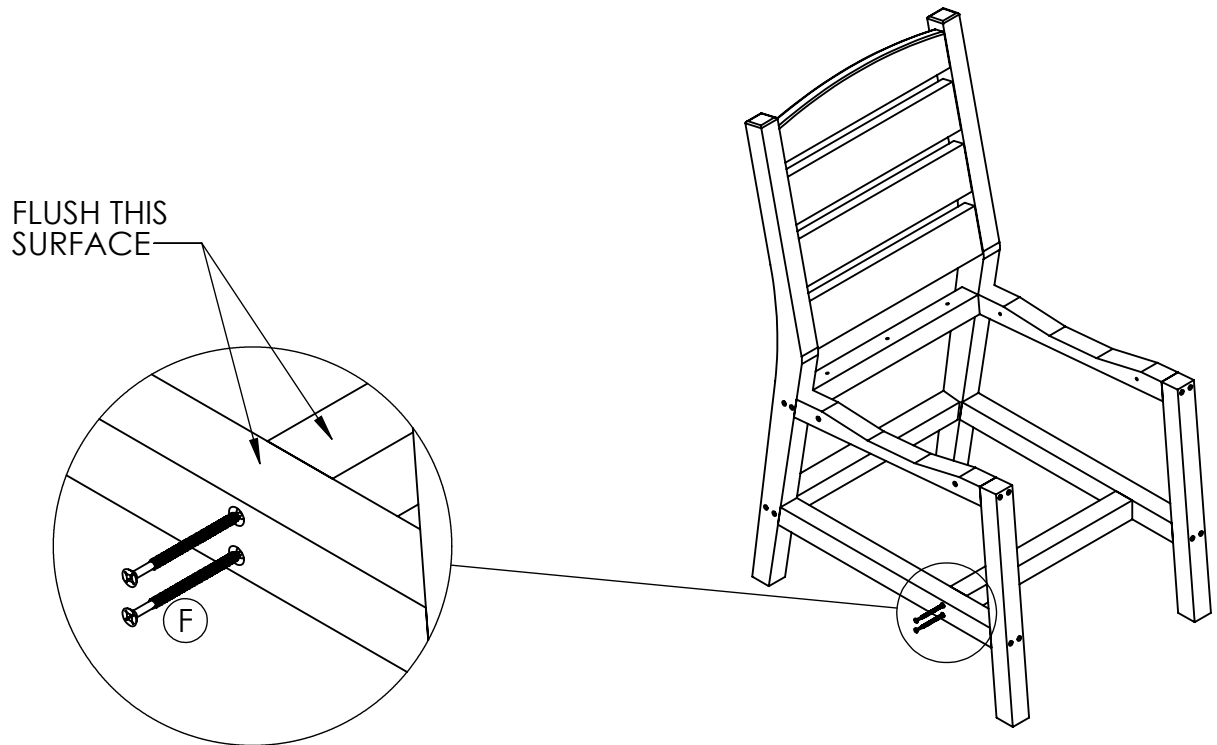
NOTE: MAKE SURE TO FLUSH FRAME TO BACK CENTER STRINGER AS SHOWN.



3 (F) x 2



4 (F) x 2

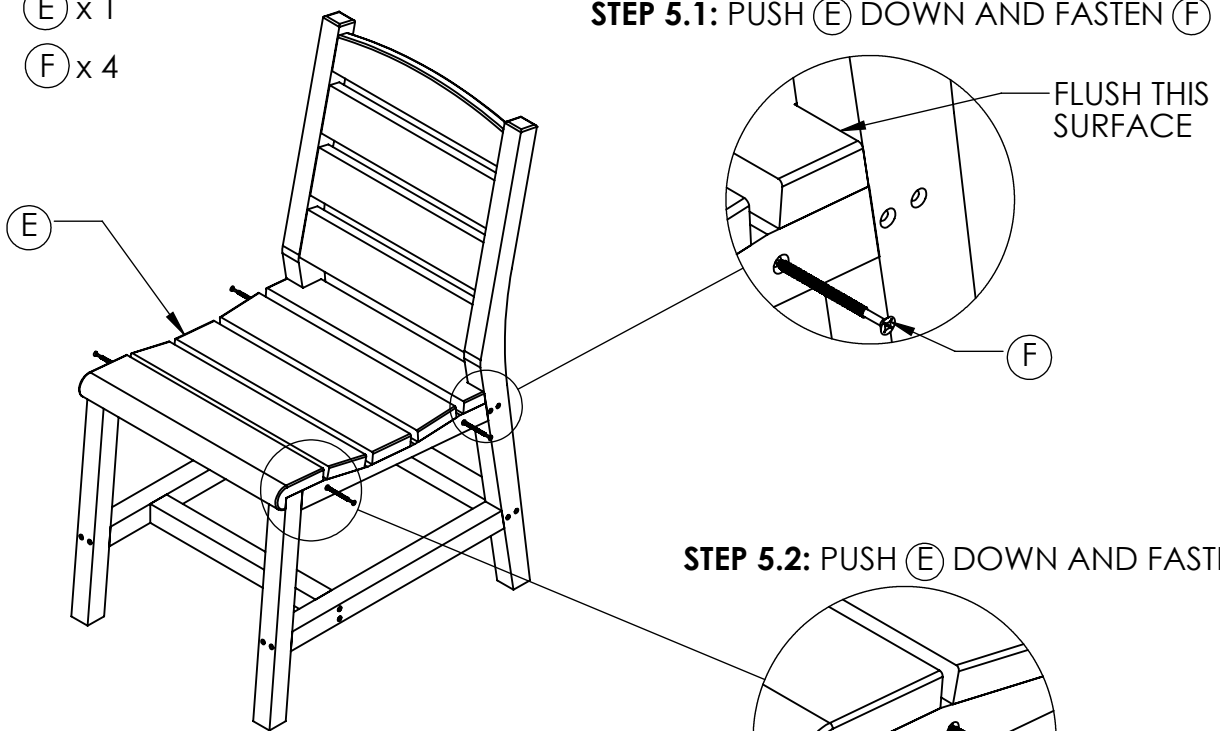


5

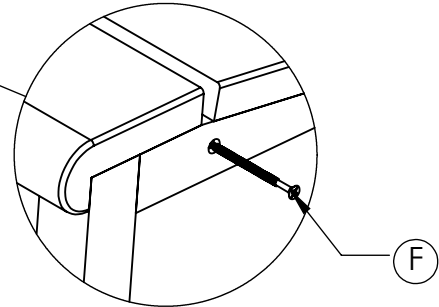
(E) x 1

(F) x 4

STEP 5.1: PUSH (E) DOWN AND FASTEN (F)



STEP 5.2: PUSH (E) DOWN AND FASTEN (F)



NOTE: REPEAT SAME FOR OTHER SIDE.

6

(G) x 3

PLACE ON CLEAN/SMOOTH SURFACE TO AVOID SCRATCH

