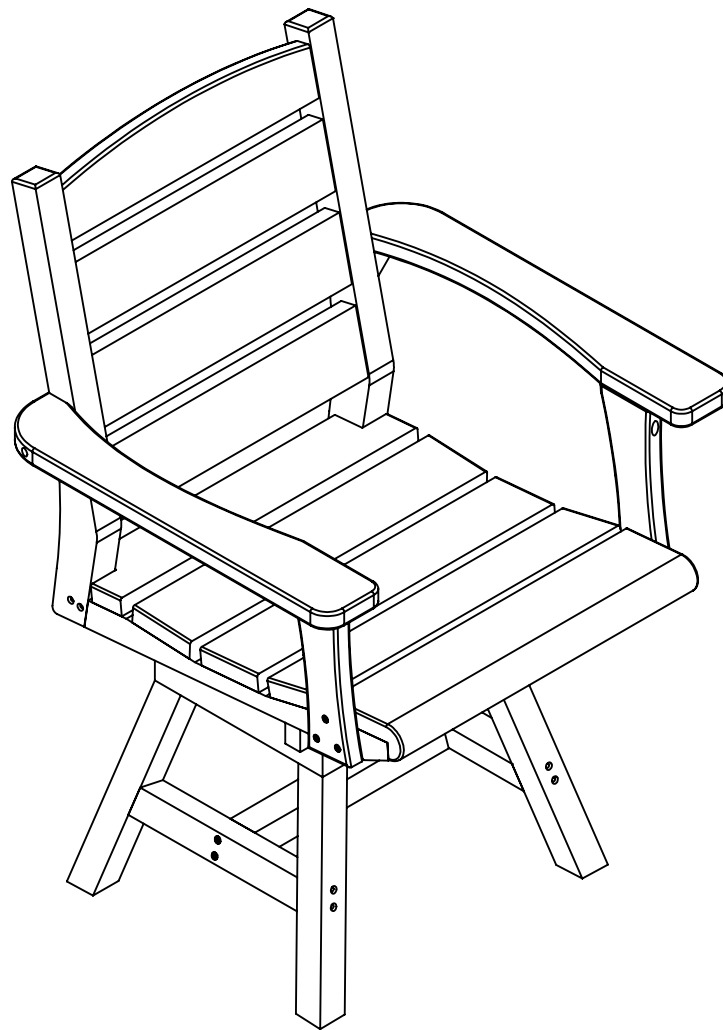


**C.R. PLASTIC
PRODUCTS**

we create sustainable outdoor living

C302



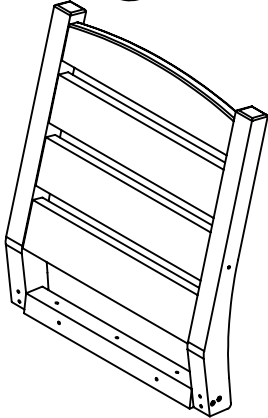


C.R. PLASTIC PRODUCTS

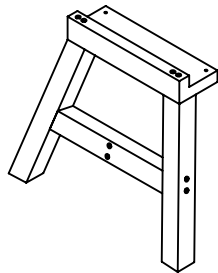


we create sustainable outdoor living

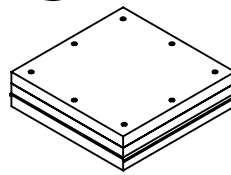
(A) X 1



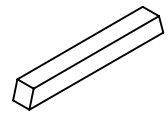
(B) X 2



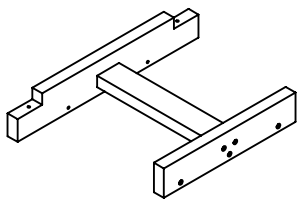
(C) X 1



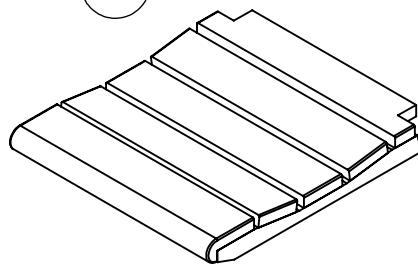
(D) X 1



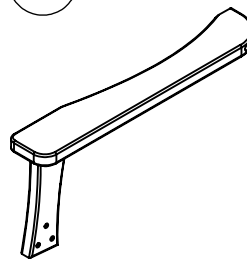
(E) X 1



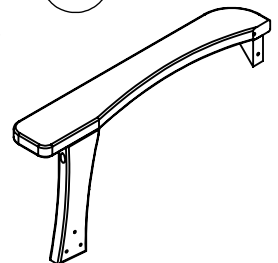
(F) X 1



(G) X 1



(H) X 1



#2



(J) X 12 2.50" / 63.5 mm



(K) X 11 2.0" / 51 mm



(L) X 15 1.50" / 38 mm



1-866-439-9521



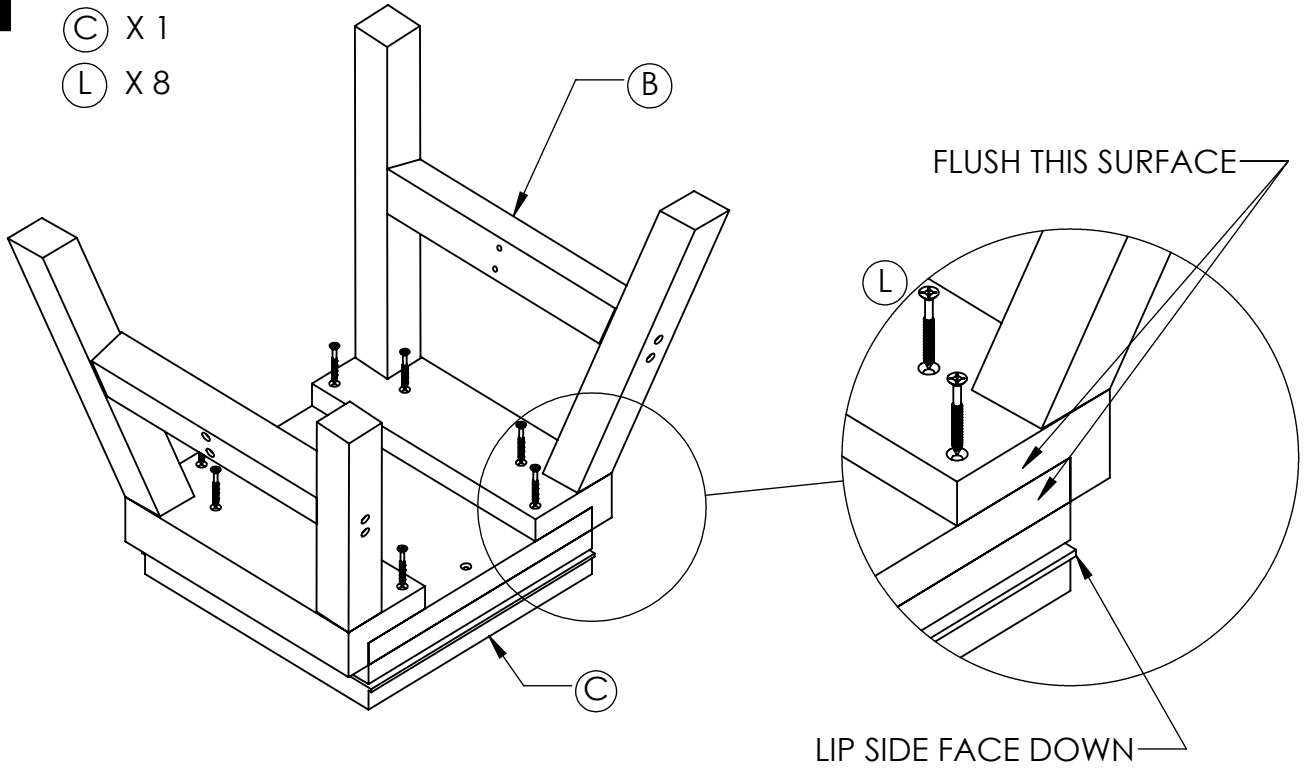
wecare@crplastics.com



www.crpproducts.com

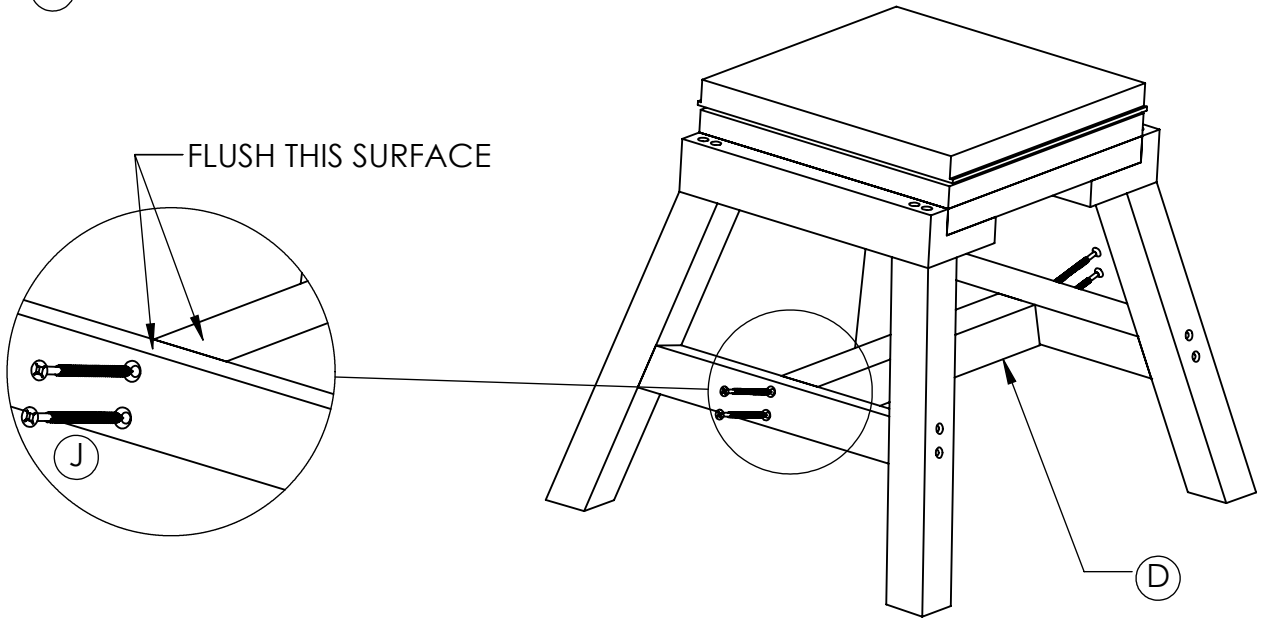
1

- (B) X 2
- (C) X 1
- (L) X 8



2

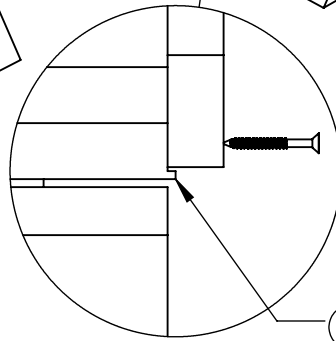
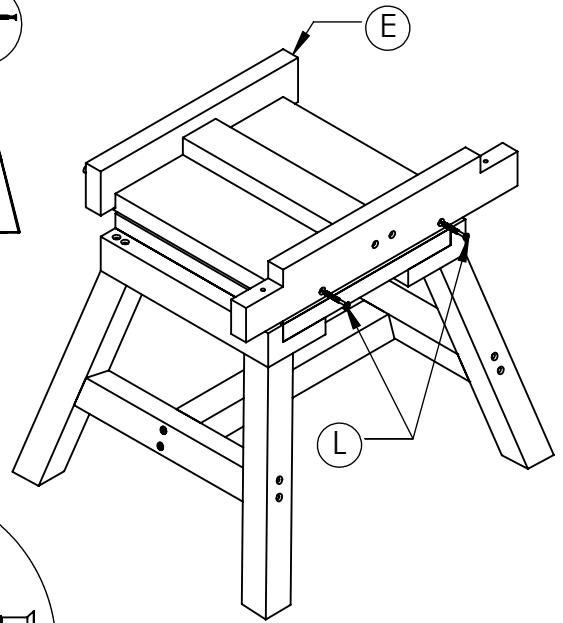
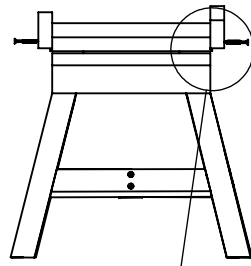
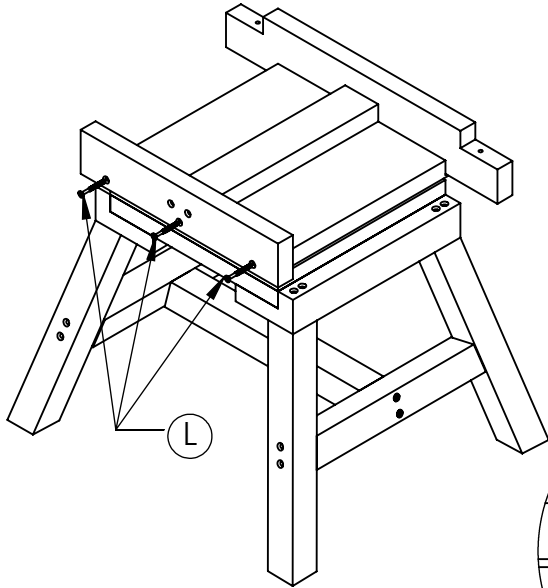
- (D) X 1
- (J) X 4



3

(E) X 1

(L) X 5



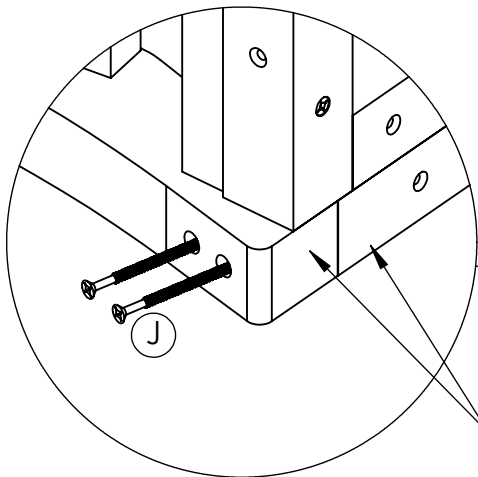
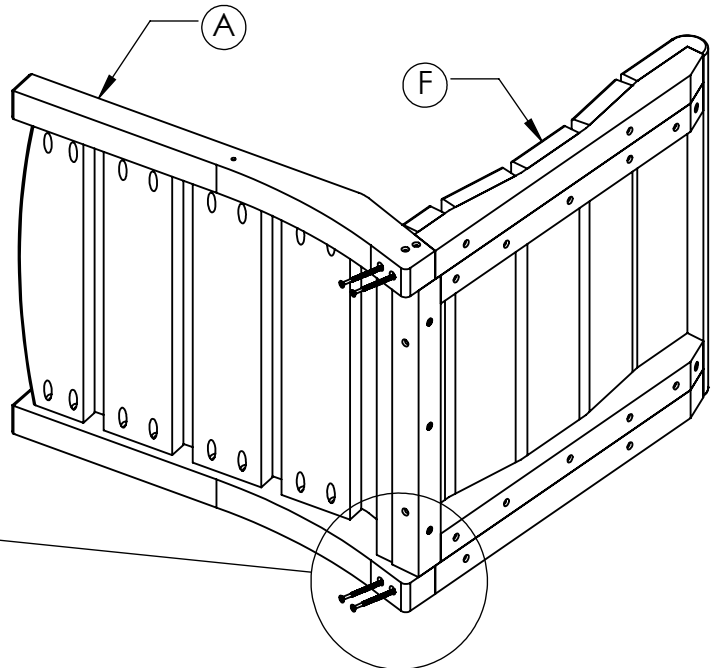
(E) SHOULD SIT ON LIP OF (C)

4

(A) X 1

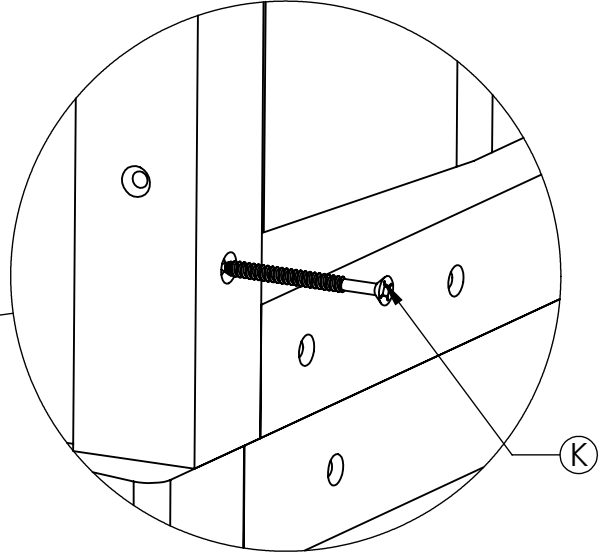
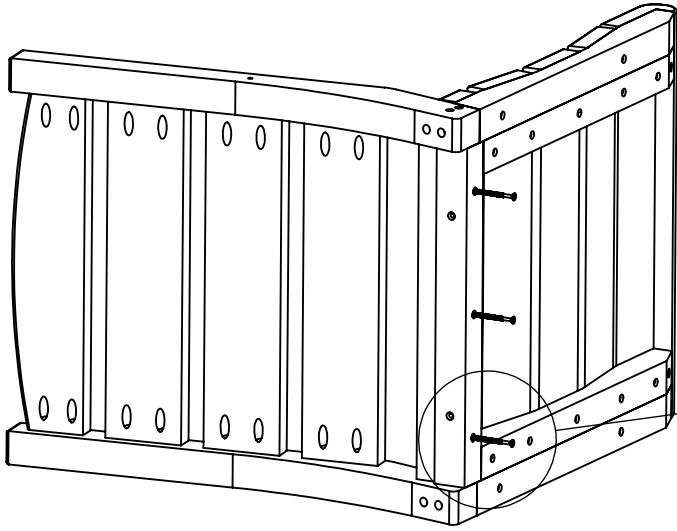
(F) X 1

(J) X 4

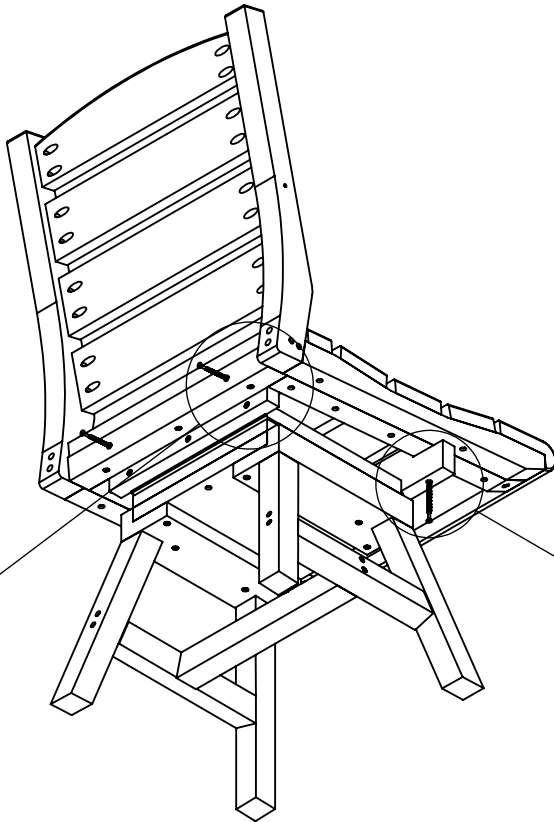


FLUSH THIS SURFACE

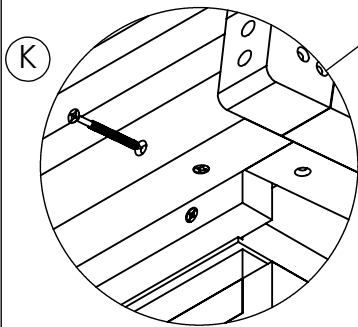
5 (K) X 3



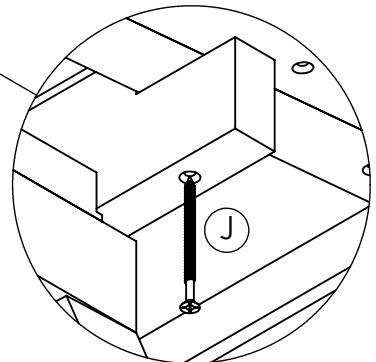
6 (K) X 2
(J) X 2



STEP 6.1:



STEP 6.2:

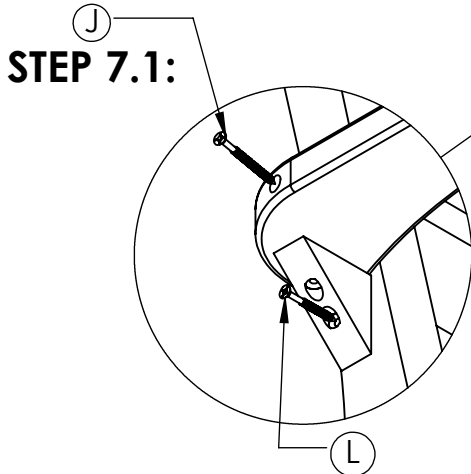
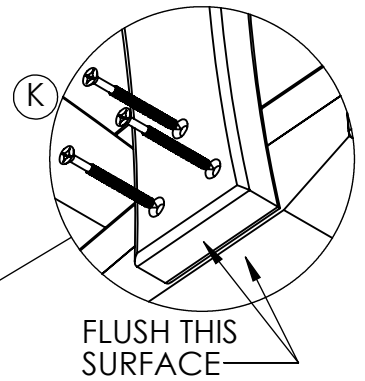


NOTE: ONE SCREW OTHER SIDE.

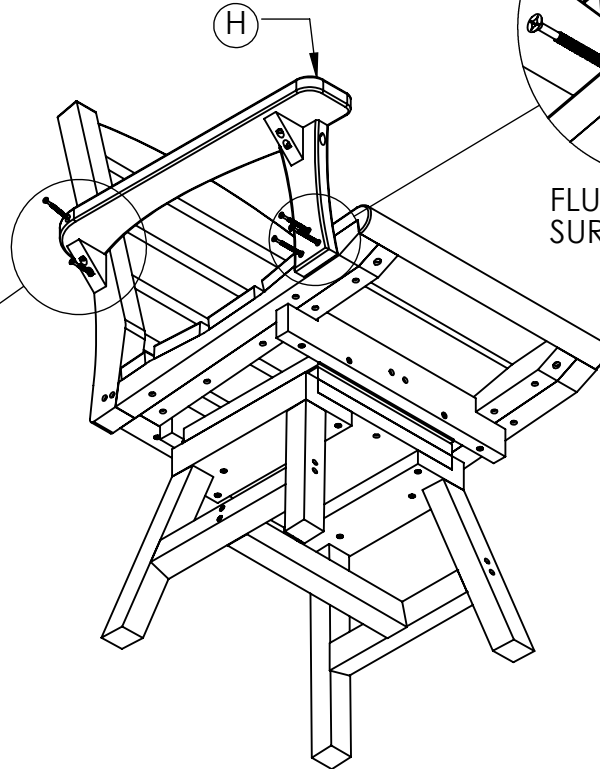
- 7** (H) X 1
 (J) X 1
 (K) X 3
 (L) X 1

STEP 7.2:

ALIGN (J) WITH PECK MARK ON THE SIDES OF (A) FOR ACCURATE ARM LOCATION

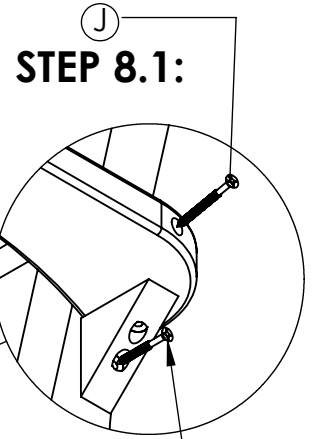


STEP 7.3:



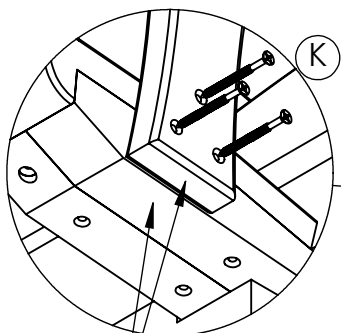
- 8** (G) X 1
 (J) X 1
 (K) X 3
 (L) X 1

ALIGN (J) WITH PECK MARK ON THE SIDES OF (A) FOR ACCURATE ARM LOCATION



STEP 8.3:

STEP 8.2:



FLUSH THIS SURFACE

