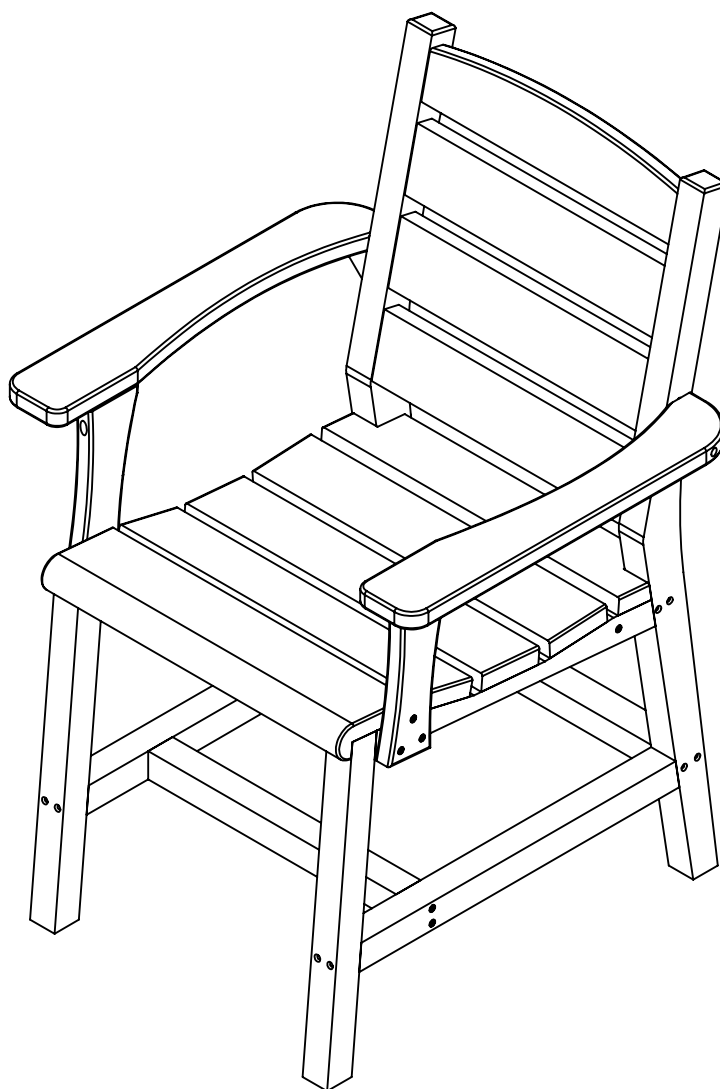


 **C.R. PLASTIC  
PRODUCTS** 

*we create* sustainable outdoor living

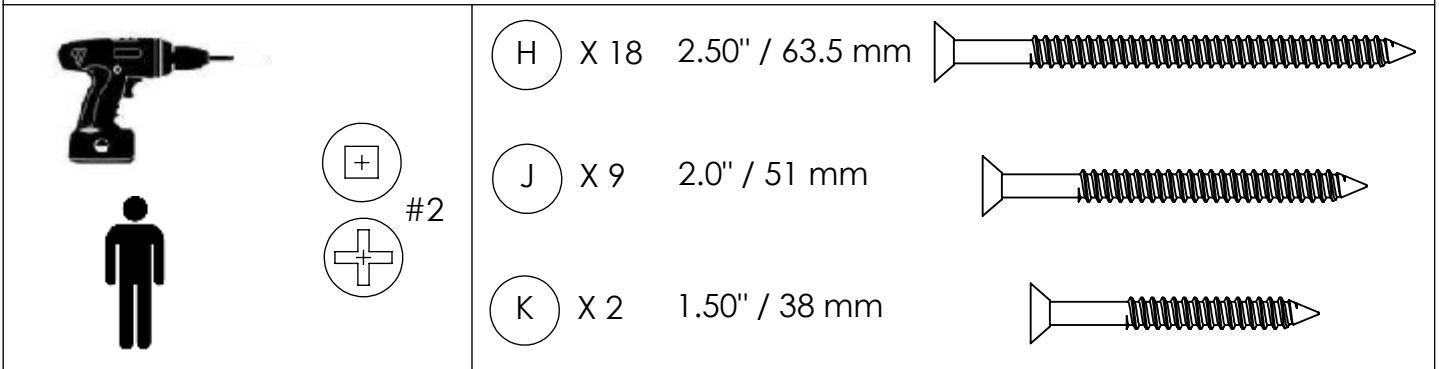
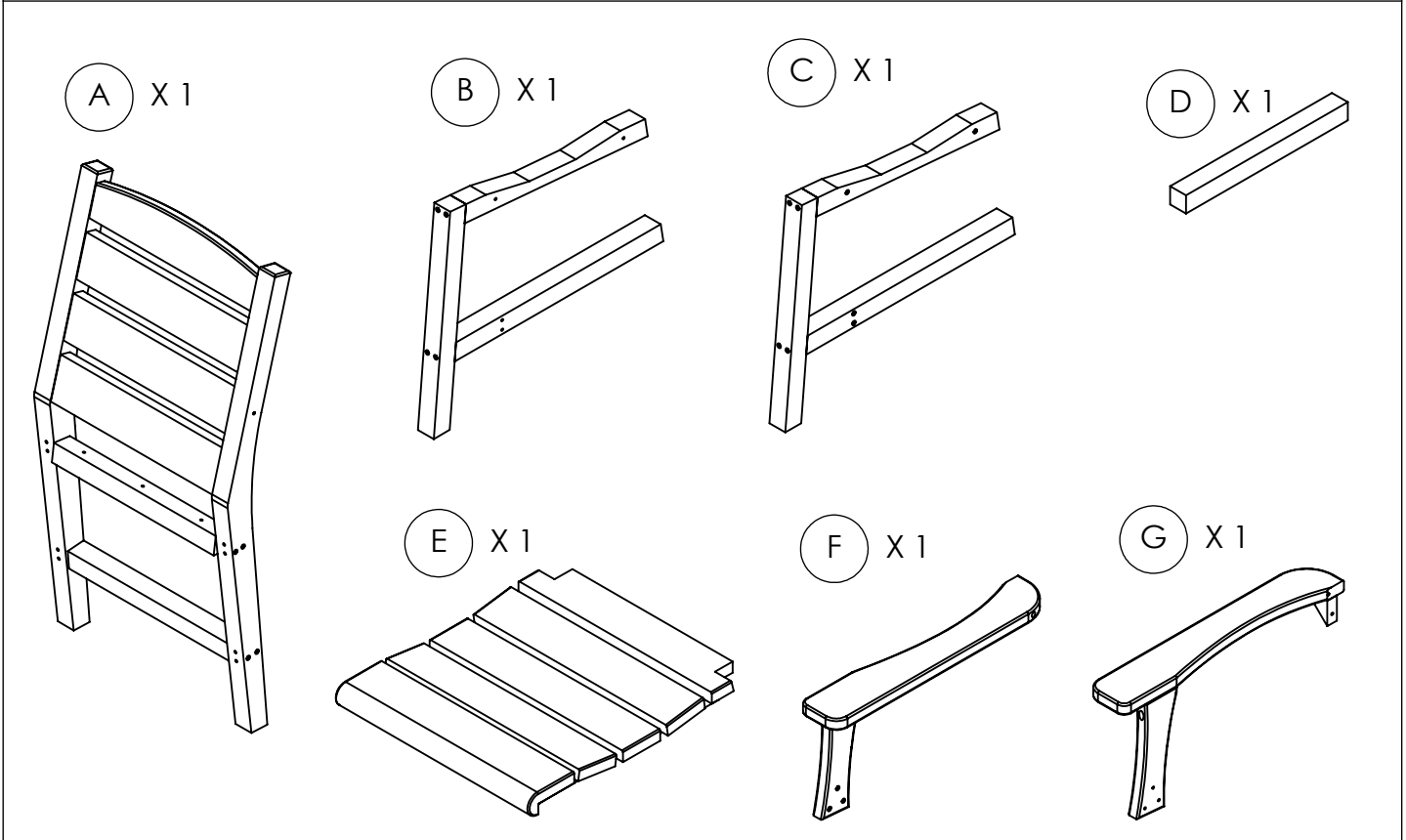
C303





# C.R. PLASTIC PRODUCTS

*we create* sustainable outdoor living



1-866-439-9521



wecare@crplastics.com



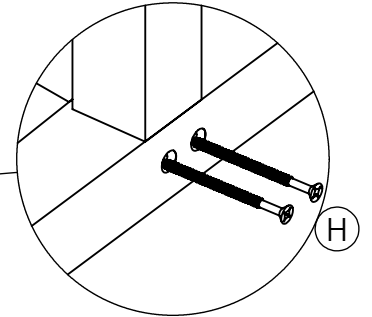
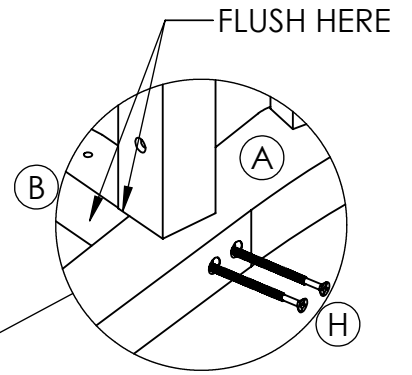
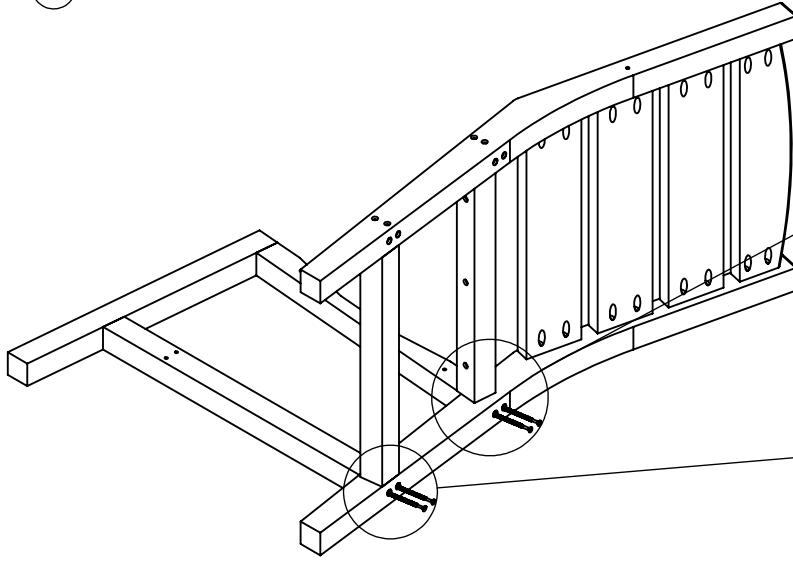
www.crpproducts.com

# 1

(A) x 1

(B) x 1

(H) x 4



NOTE: MAKE SURE TO FLUSH FRAME TO BACK CENTER STRINGER AS SHOWN.

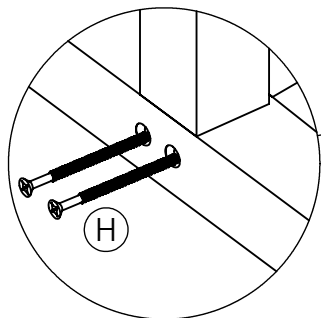
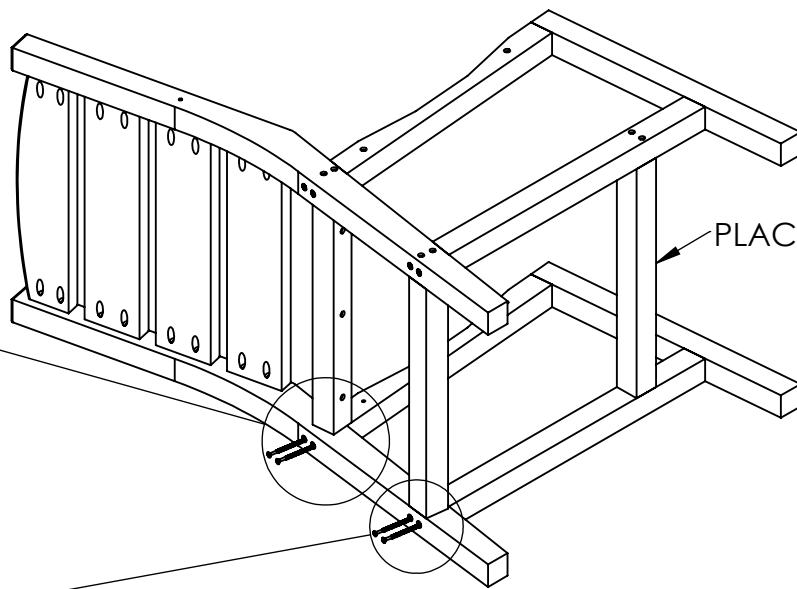
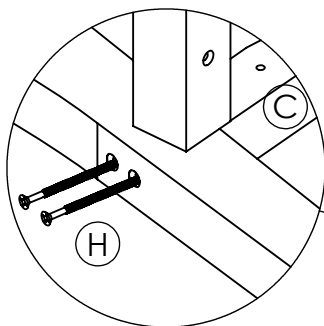
# 2

(C) x 1

(D) x 1

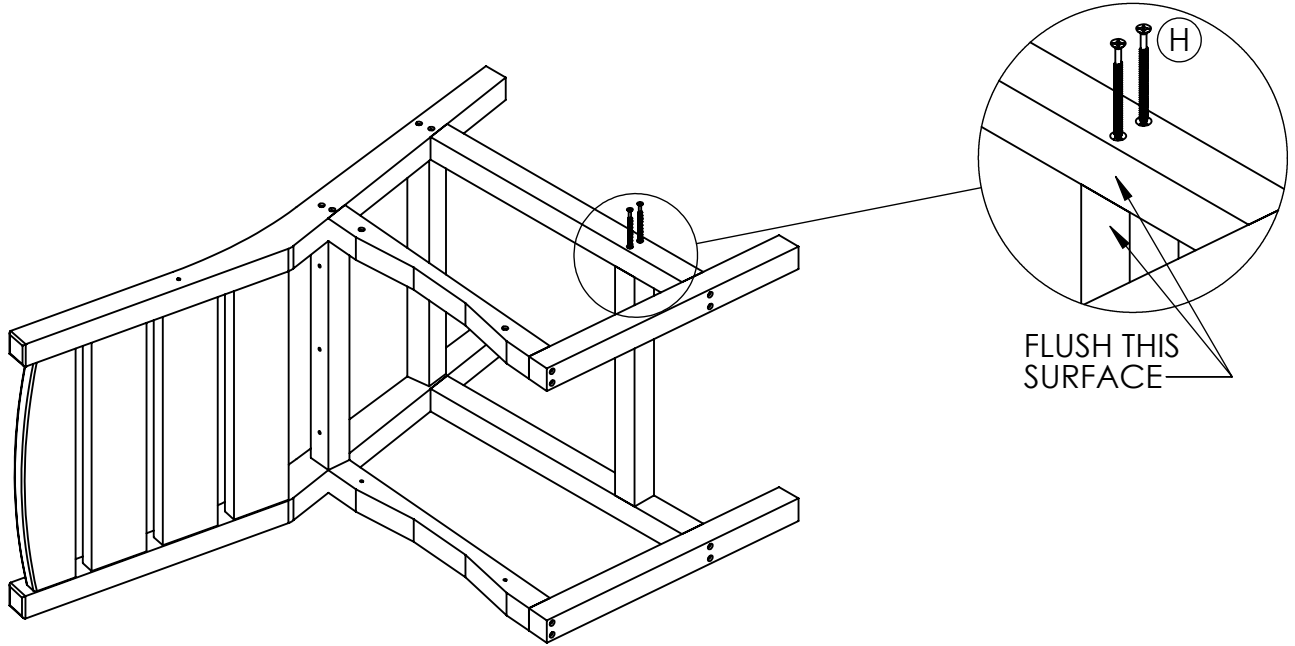
(H) x 4

NOTE: MAKE SURE TO FLUSH FRAME TO BACK CENTER STRINGER AS SHOWN.

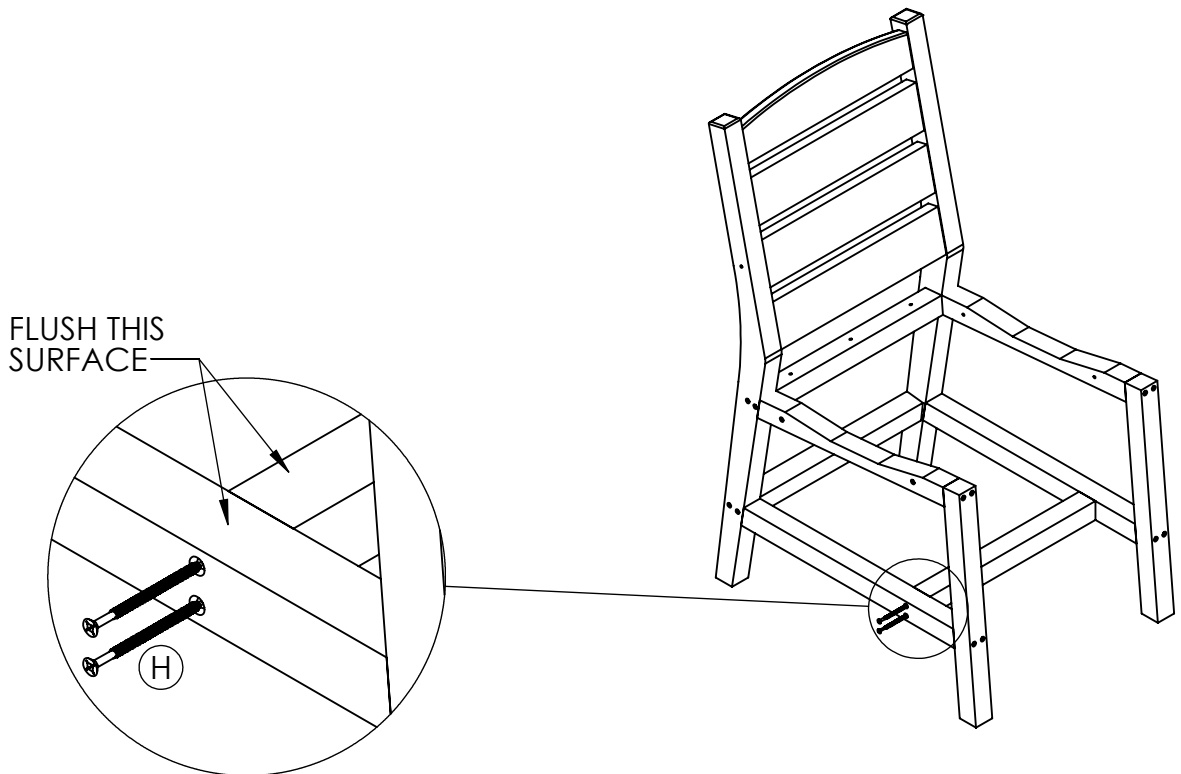


PLACE (D) LOOSE

**3** (H) x 2



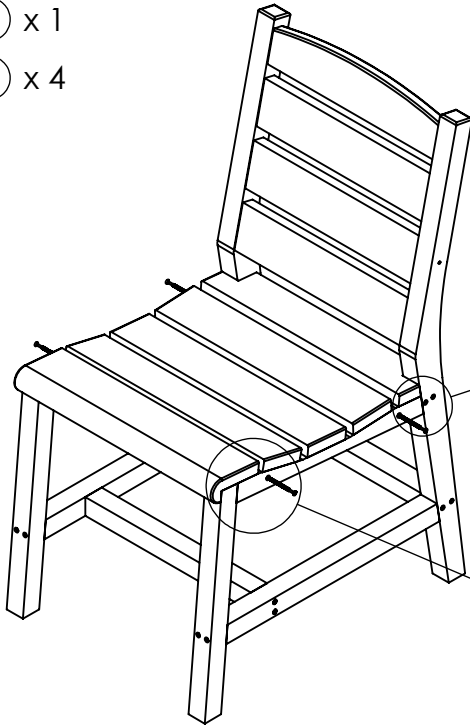
**4** (H) x 2



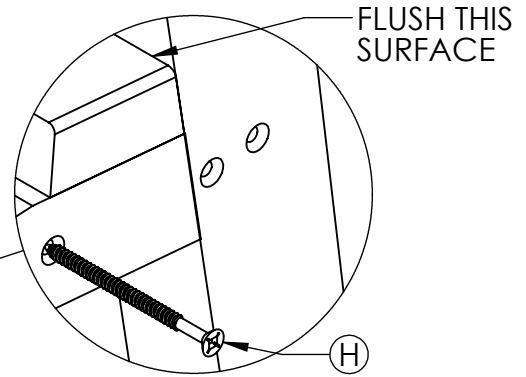
# 5

Ⓔ x 1

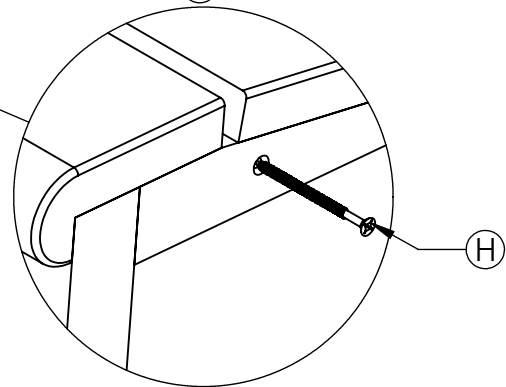
Ⓕ x 4



**STEP 5.1:** PUSH Ⓔ DOWN AND FASTEN Ⓕ



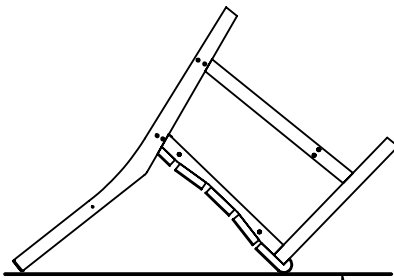
**STEP 5.2:** PUSH Ⓔ DOWN AND FASTEN Ⓕ



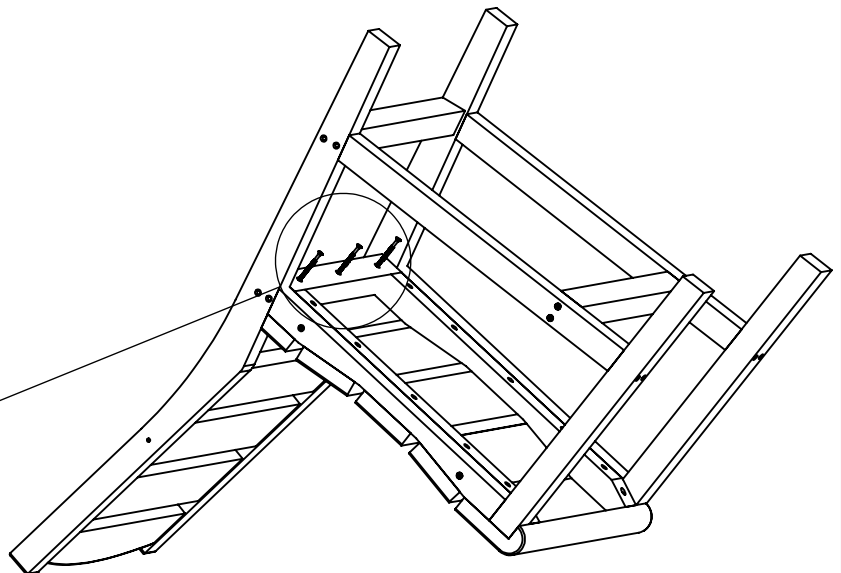
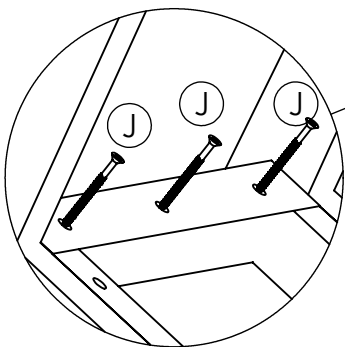
NOTE: REPEAT SAME FOR OTHER SIDE.

# 6

Ⓙ x 3

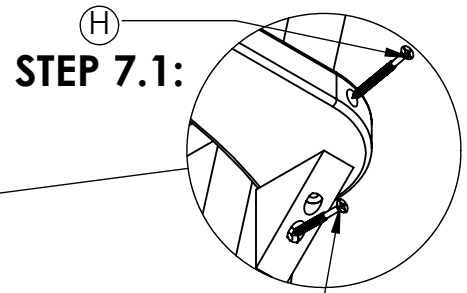
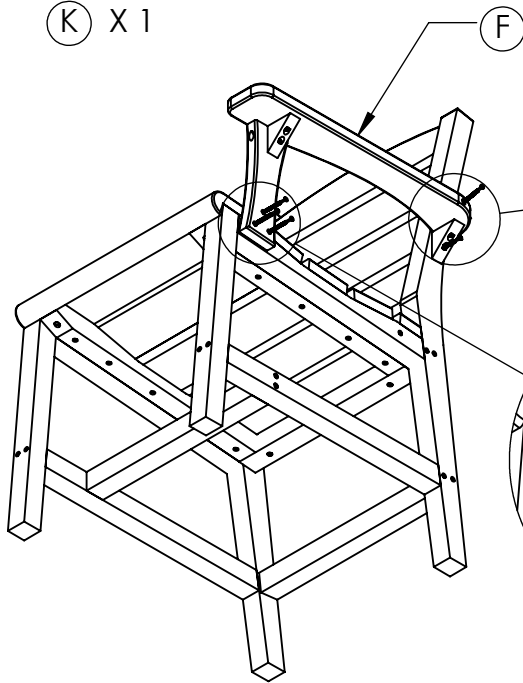


PLACE ON CLEAN/SMOOTH SURFACE TO AVOID SCRATCH

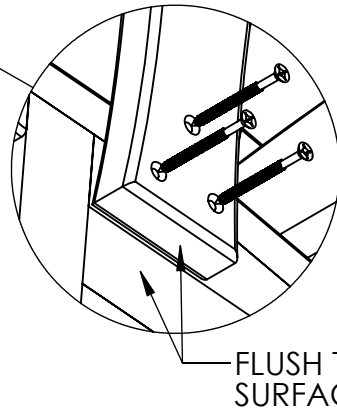


- 7** (F) X 1  
 (H) X 1  
 (J) X 3  
 (K) X 1

ALIGN (H) WITH PECK MARK ON THE SIDES OF (A) FOR ACCURATE ARM LOCATION.

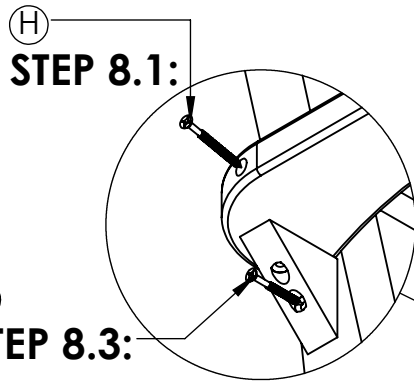


**STEP 7.3:**



- 8** (G) X 1  
 (H) X 1  
 (J) X 3  
 (K) X 1

ALIGN (H) WITH PECK MARK ON THE SIDES OF (A) FOR ACCURATE ARM LOCATION.



**STEP 8.3:**

