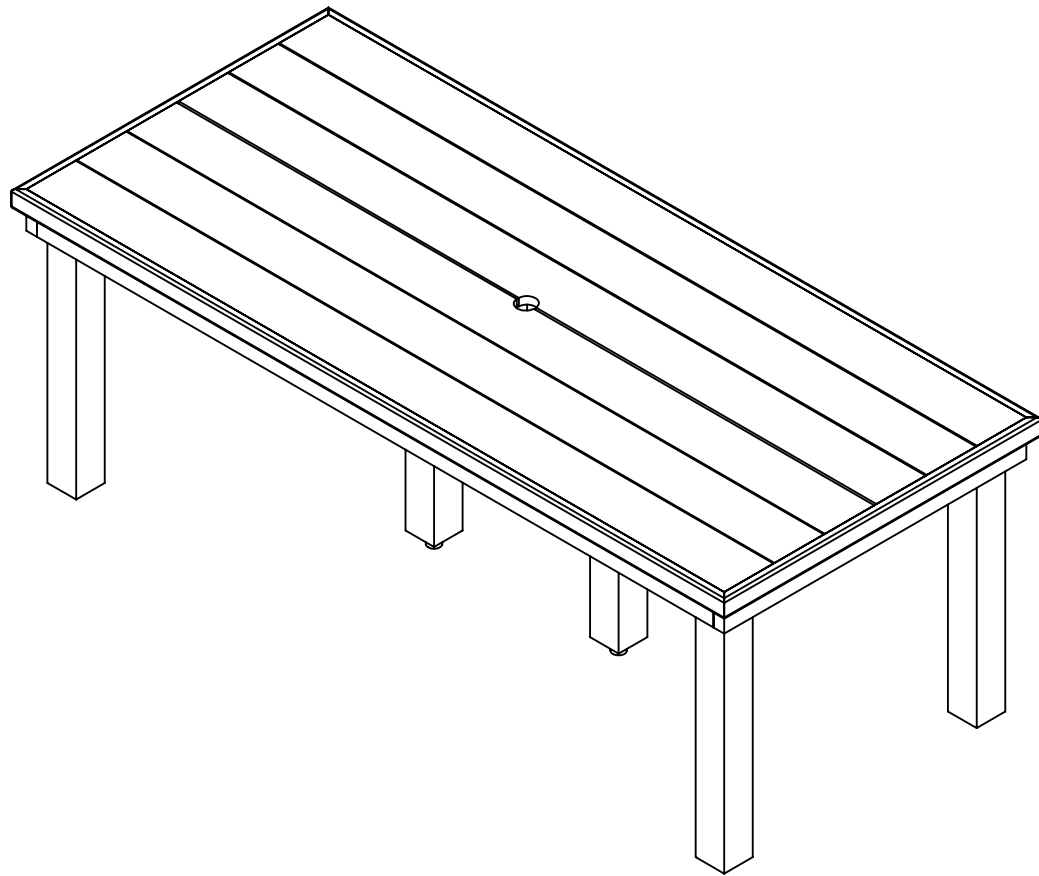


**C.R. PLASTIC
PRODUCTS**

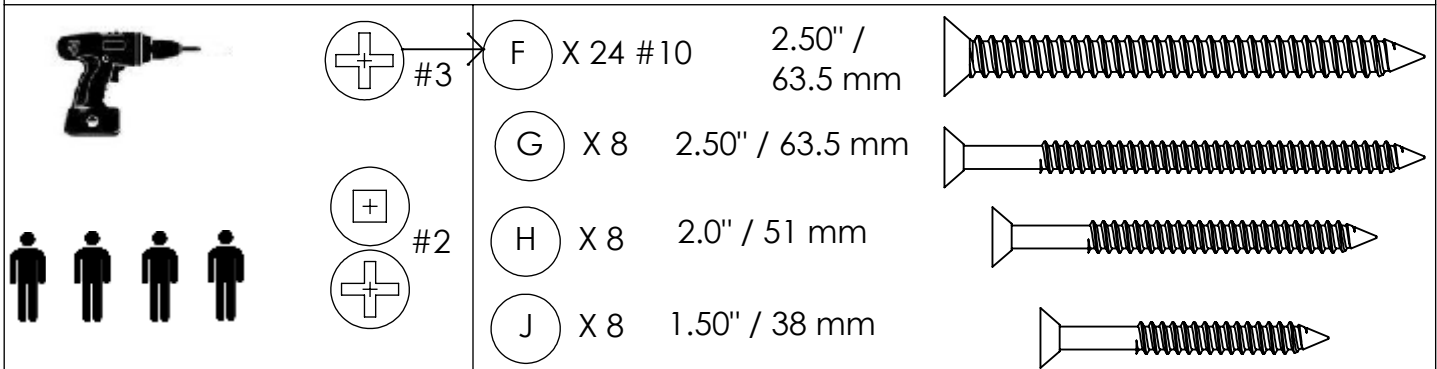
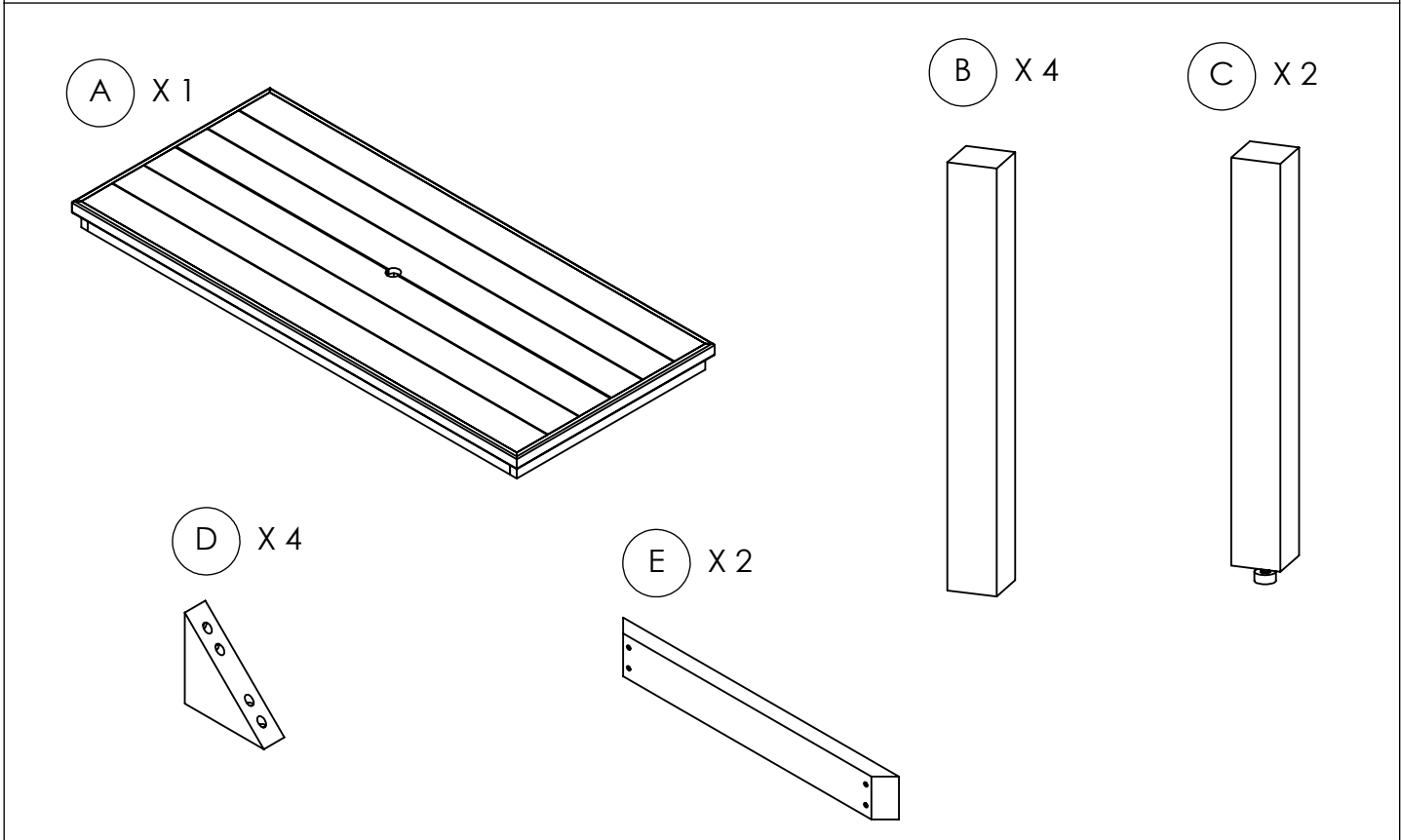
we create sustainable outdoor living

T301



C.R. PLASTIC PRODUCTS

we create sustainable outdoor living



1-866-439-9521



wecare@crplastics.com



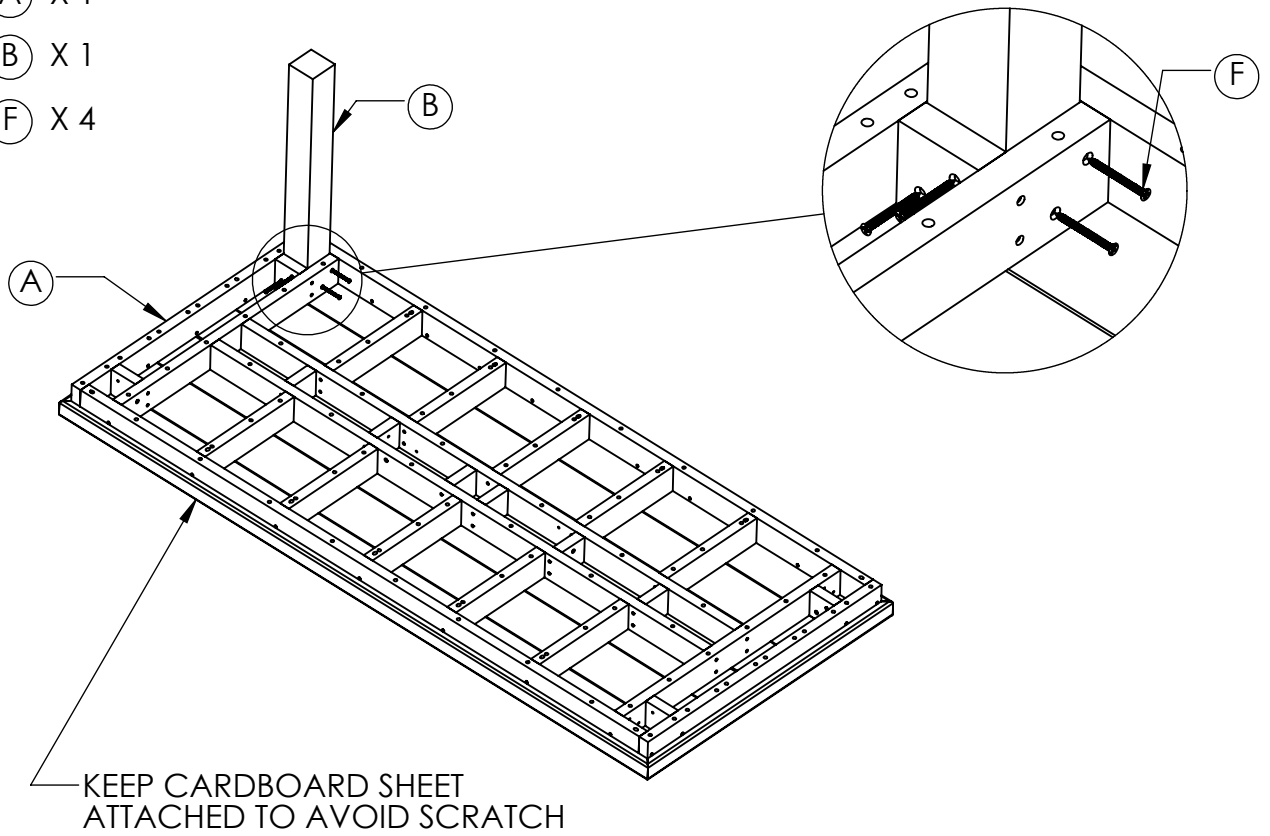
www.crpproducts.com

1

(A) X 1

(B) X 1

(F) X 4

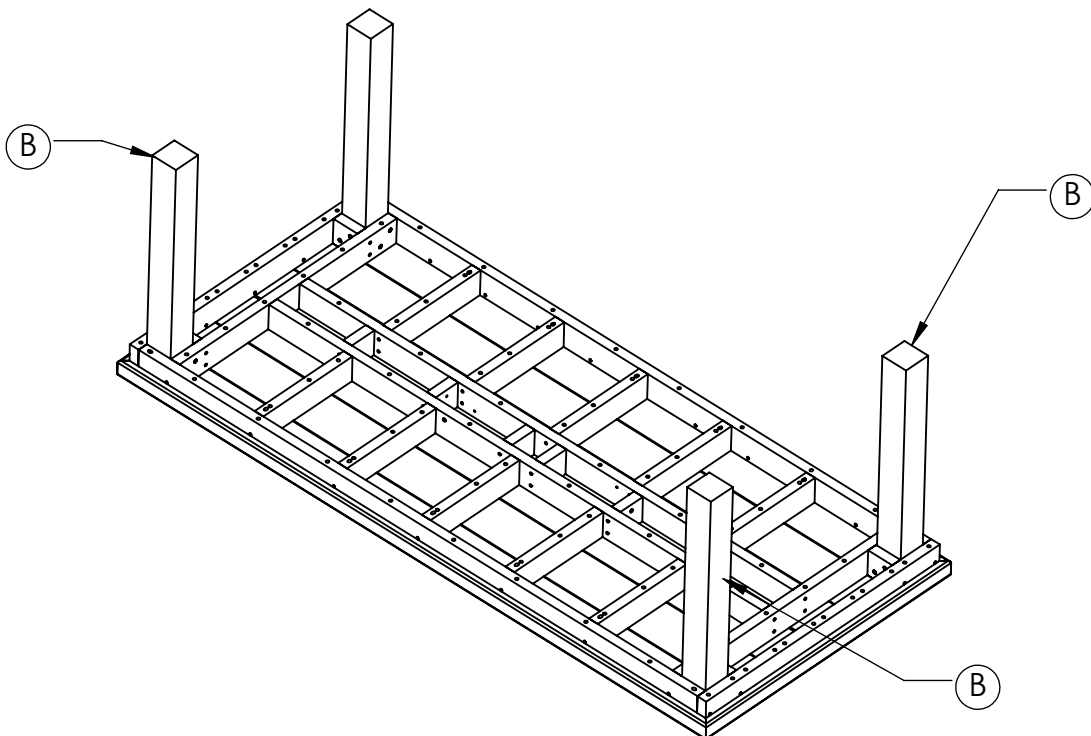


2

(B) X 3

(F) X 12

NOTE: REPEAT STEP#1 TO ASSEMBLE OTHER 3 LEGS.



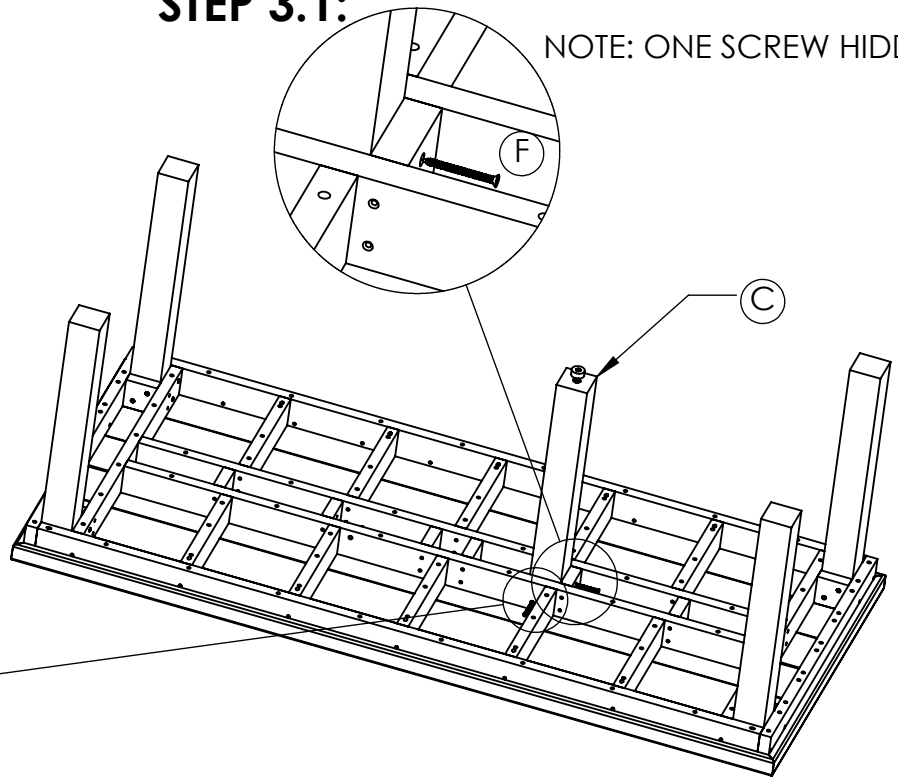
3

ⓐ X 1

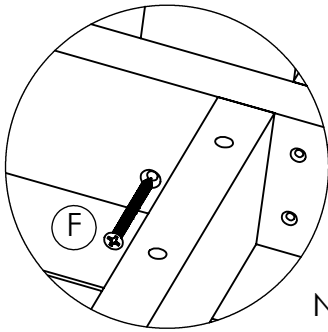
ⓕ X 4

STEP 3.1:

NOTE: ONE SCREW HIDDEN.



STEP 3.2:



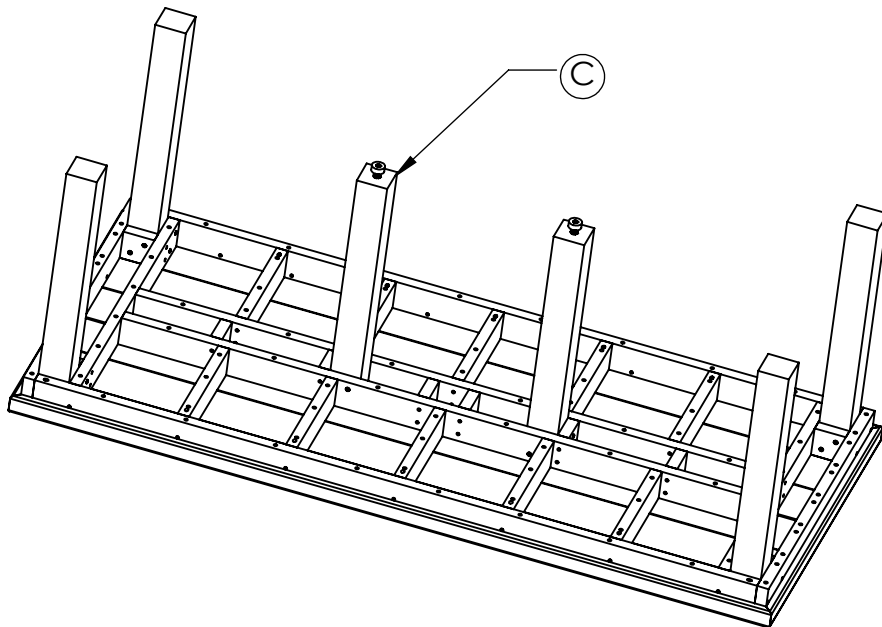
NOTE: ONE SCREW ON EACH SIDE.

4

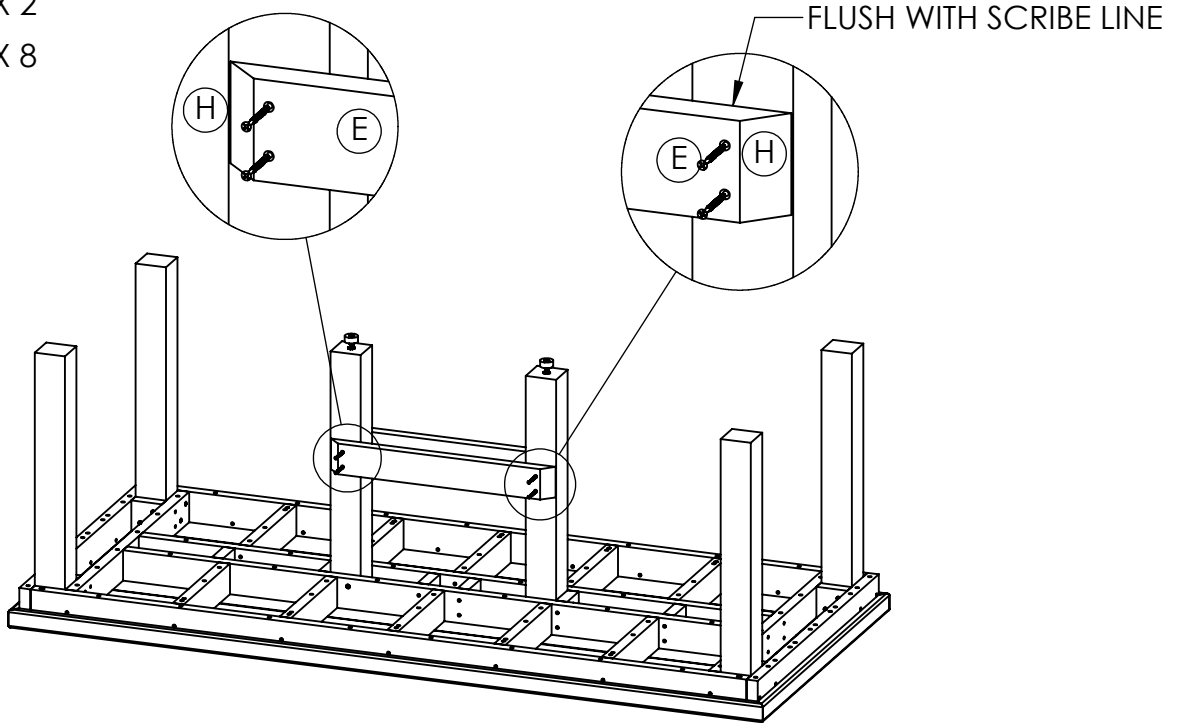
ⓐ X 1

ⓕ X 4

NOTE: REPEAT STEP#3 TO ASSEMBLE OTHER CENTER LEG.

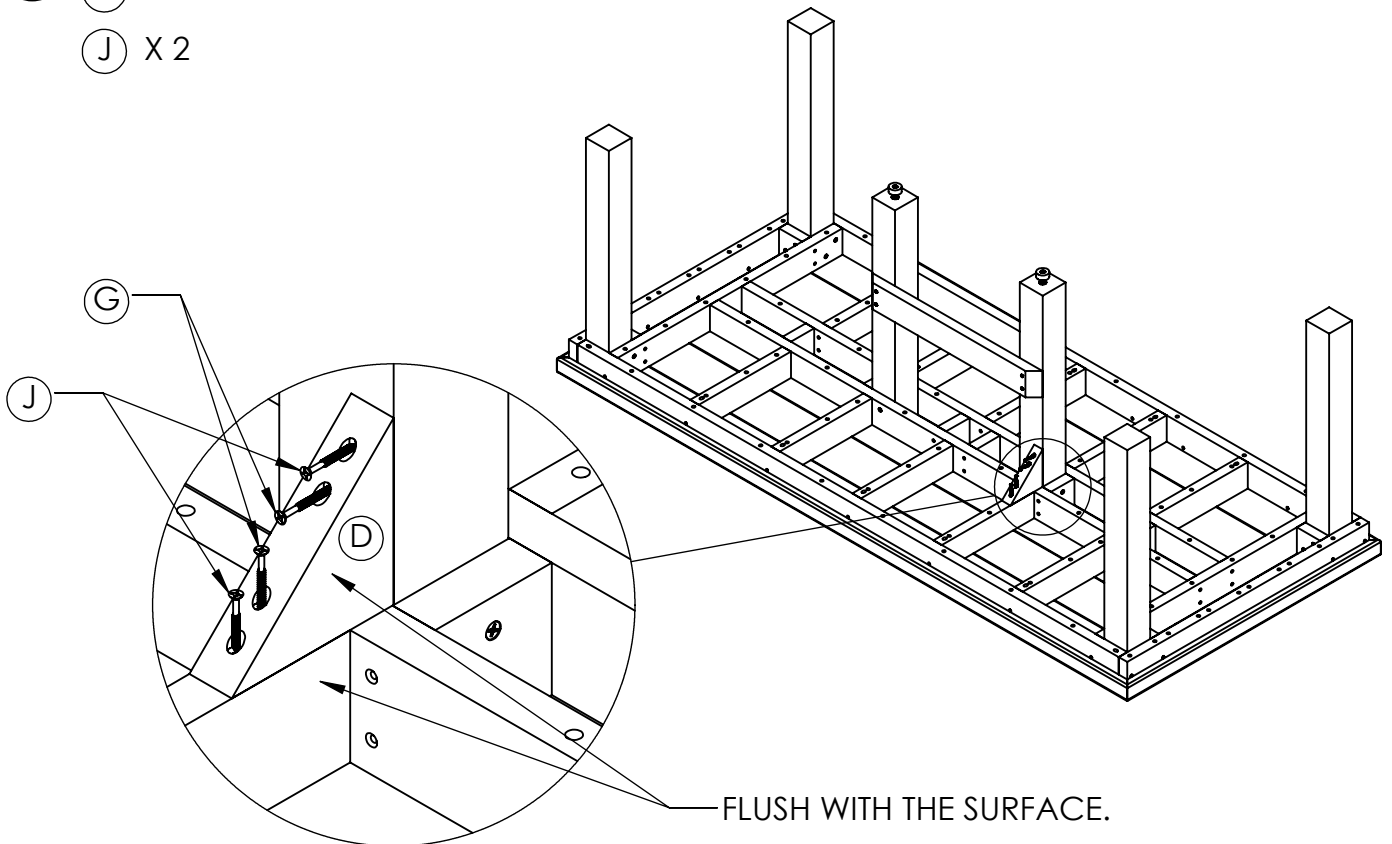


5 (E) X 2
(H) X 8



NOTE: REPEAT SIMILAR PROCESS TO ASSEMBLE (E) OTHER SIDE.

6 (D) X 1
(G) X 2
(J) X 2



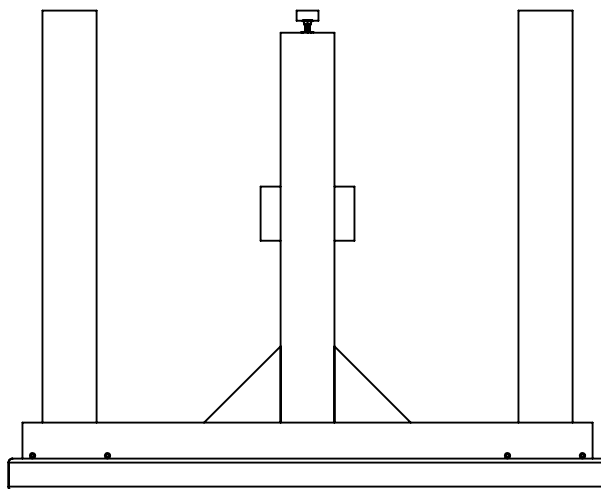
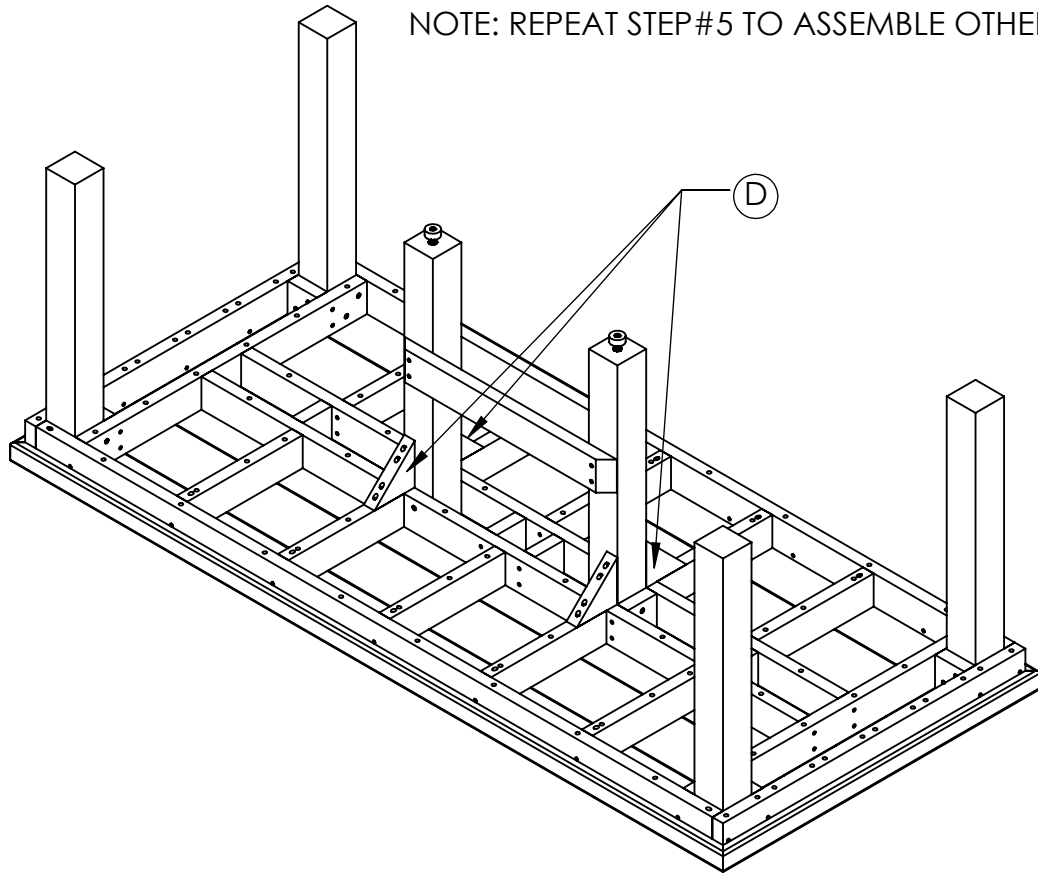
7

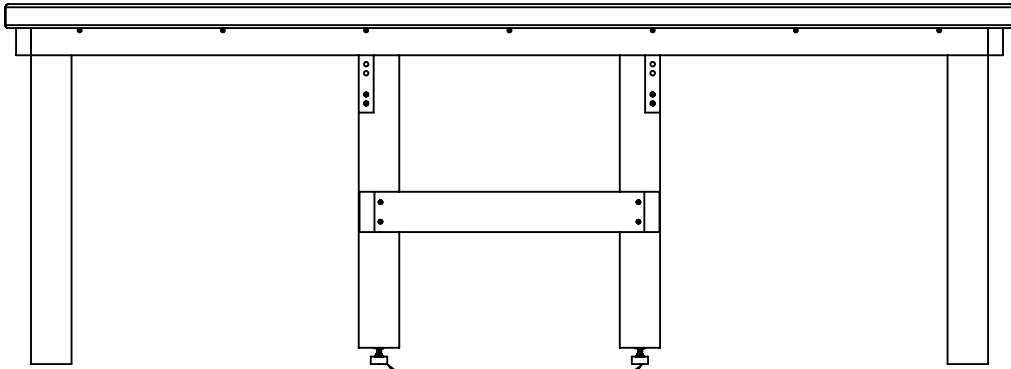
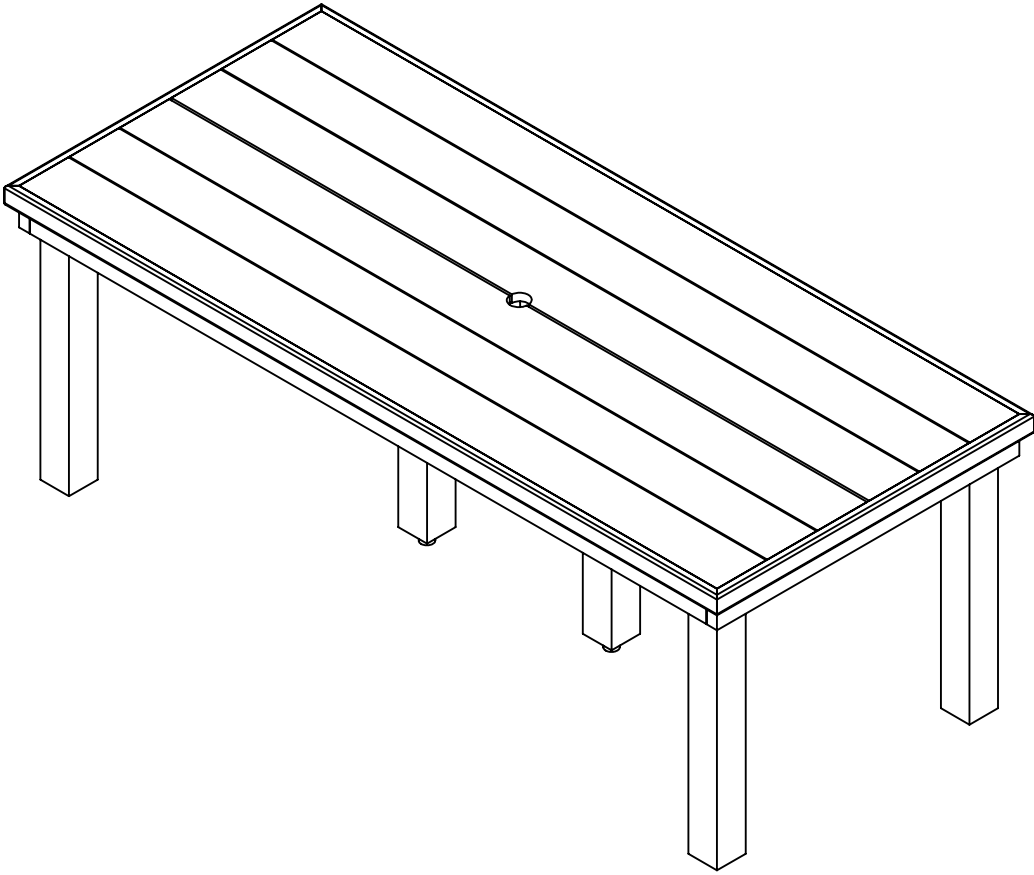
ⓓ X 3

ⓖ X 6

ⓙ X 6

NOTE: REPEAT STEP #5 TO ASSEMBLE OTHER GUSSETS.





USE LEVELER TO LEVEL THE TABLE
ON UNEVEN FLOORING.

