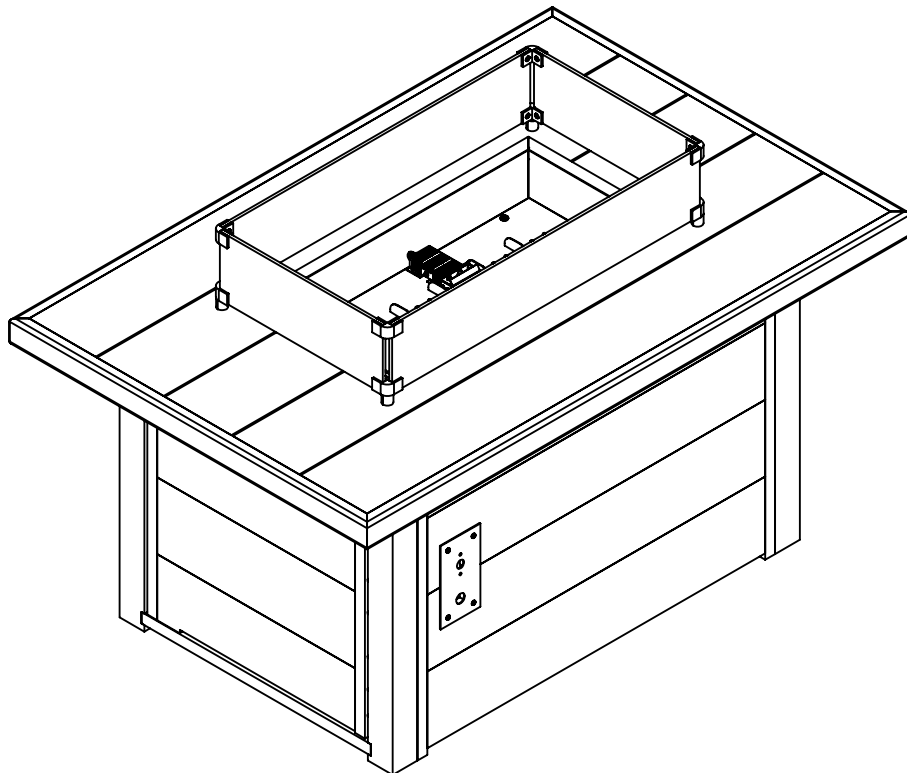


C.R. PLASTIC PRODUCTS

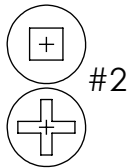
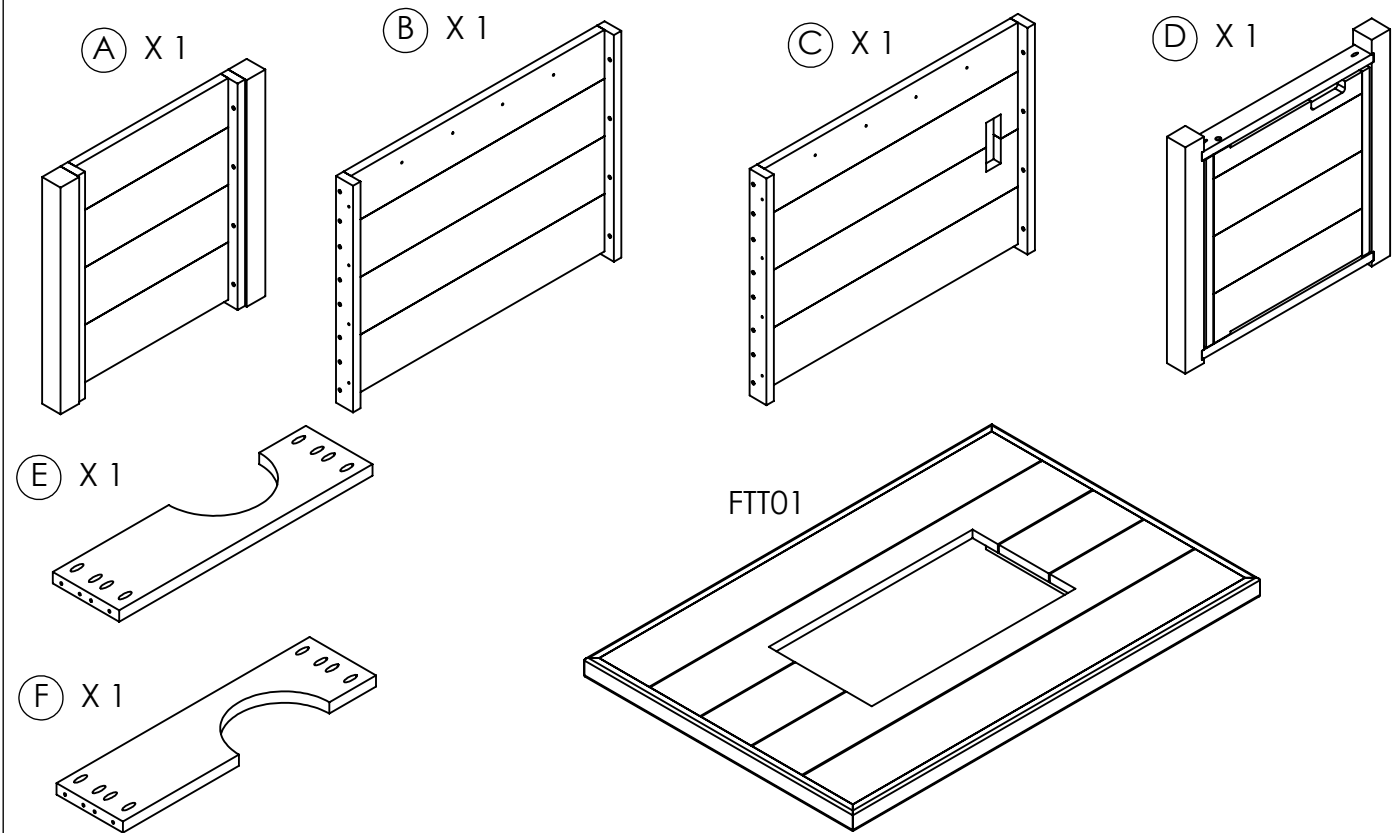
we create sustainable outdoor living

FT01



C.R. PLASTIC PRODUCTS

we create sustainable outdoor living



(G) X 44 1.5" / 38 mm



(H) X 4 0.75" / 19 mm



1-866-439-9521



wecare@crplastics.com



www.crpproducts.com

1

(A) X 1

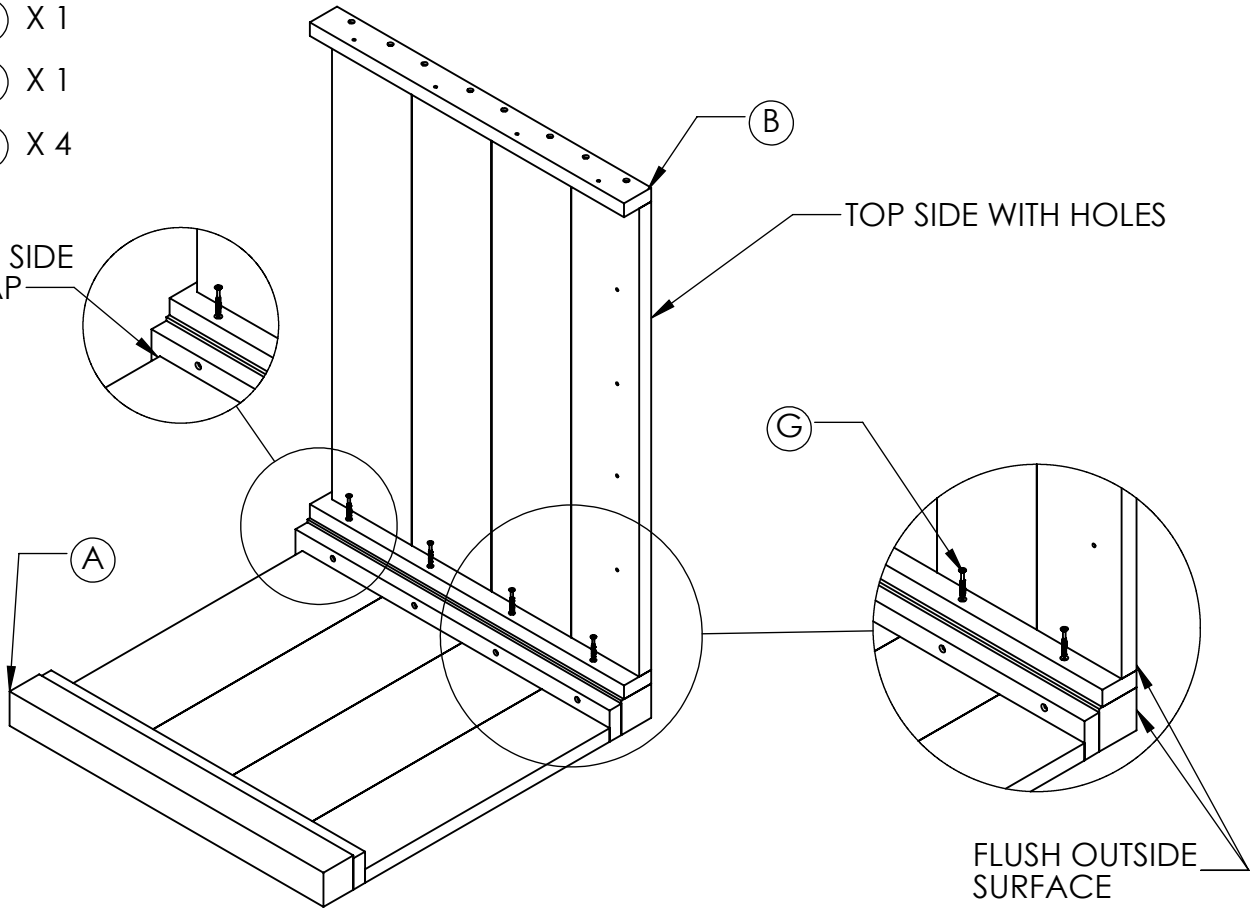
(B) X 1

(G) X 4

BOTTOM SIDE WITH GAP

TOP SIDE WITH HOLES

FLUSH OUTSIDE SURFACE

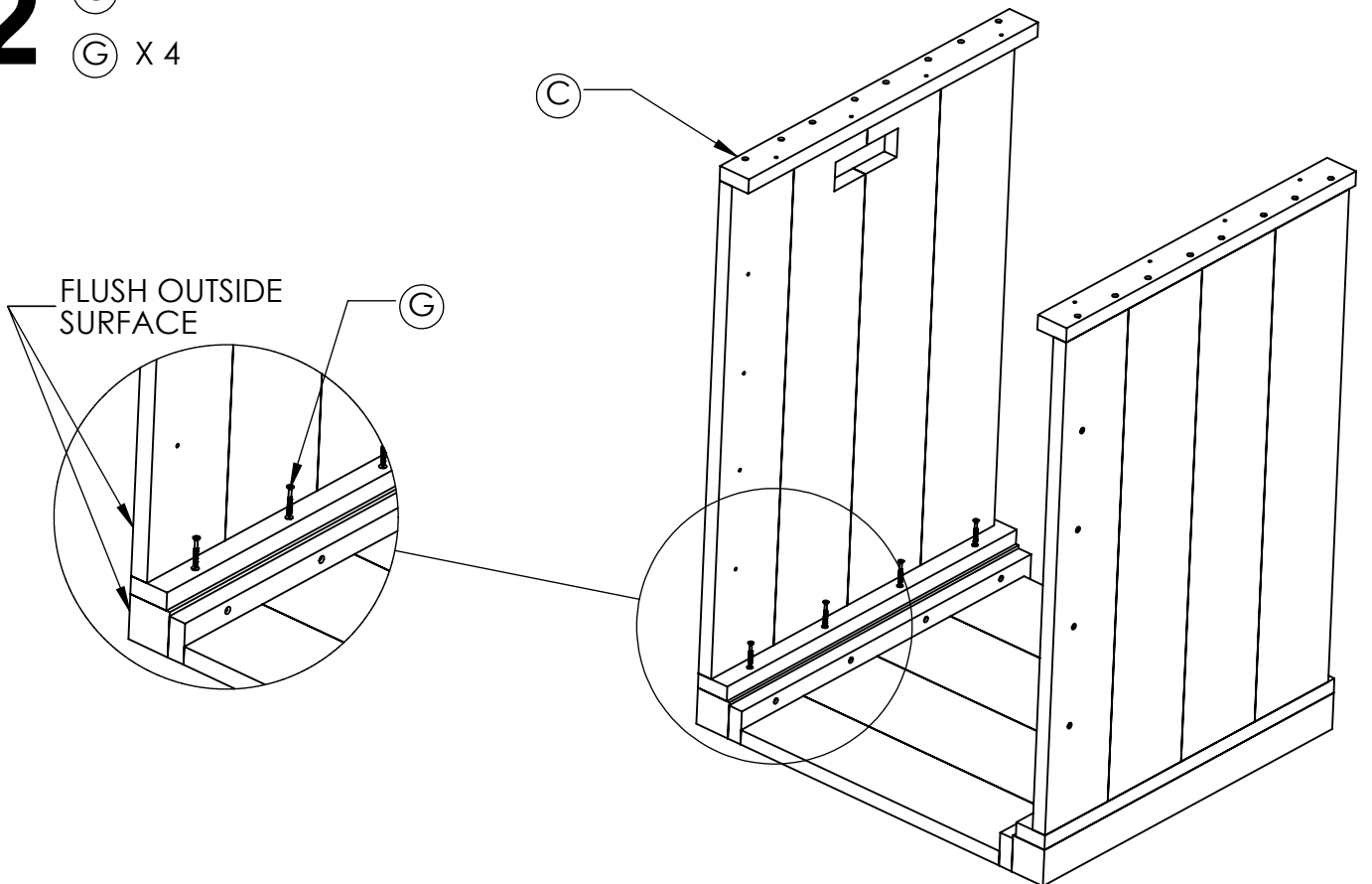


2

(C) X 1

(G) X 4

FLUSH OUTSIDE SURFACE



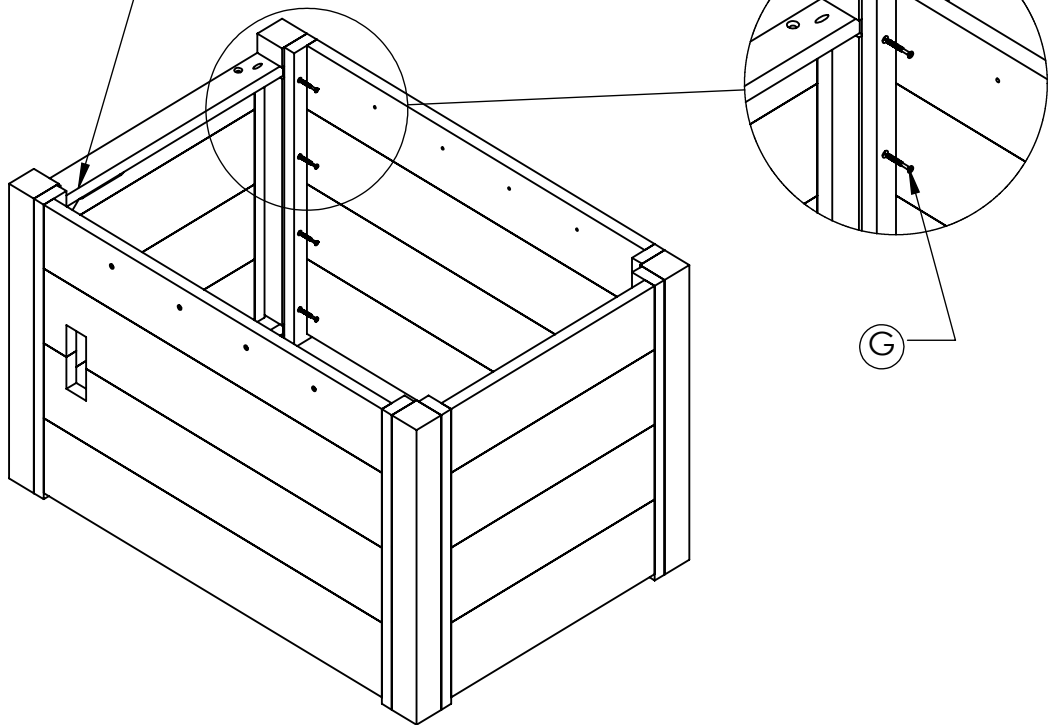
3

ⓓ X 1

ⓖ X 8

ⓖ X 4 HIDDEN SCREWS
THIS SIDE

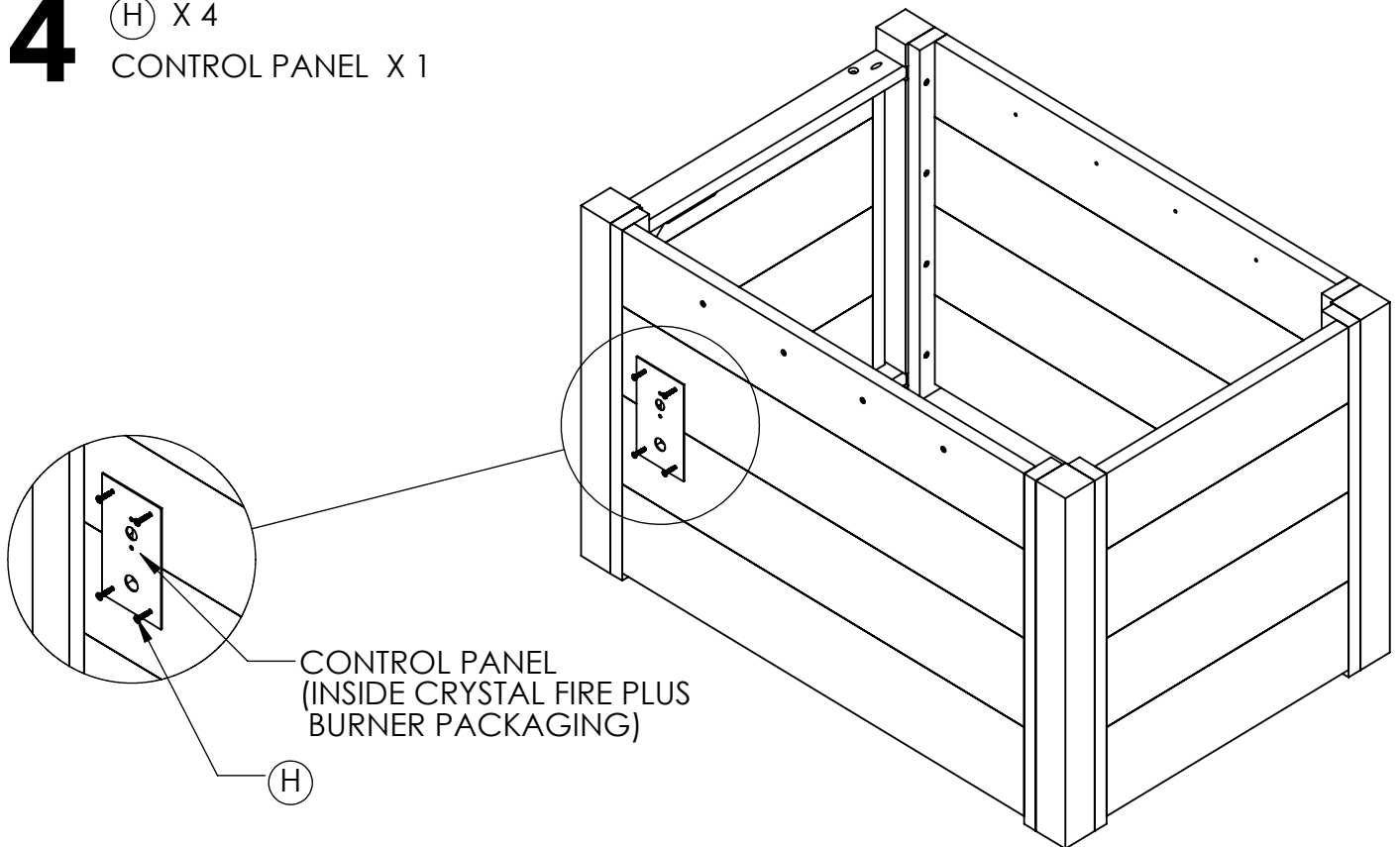
FLUSH OUTSIDE
SURFACE



4

ⓓ X 4

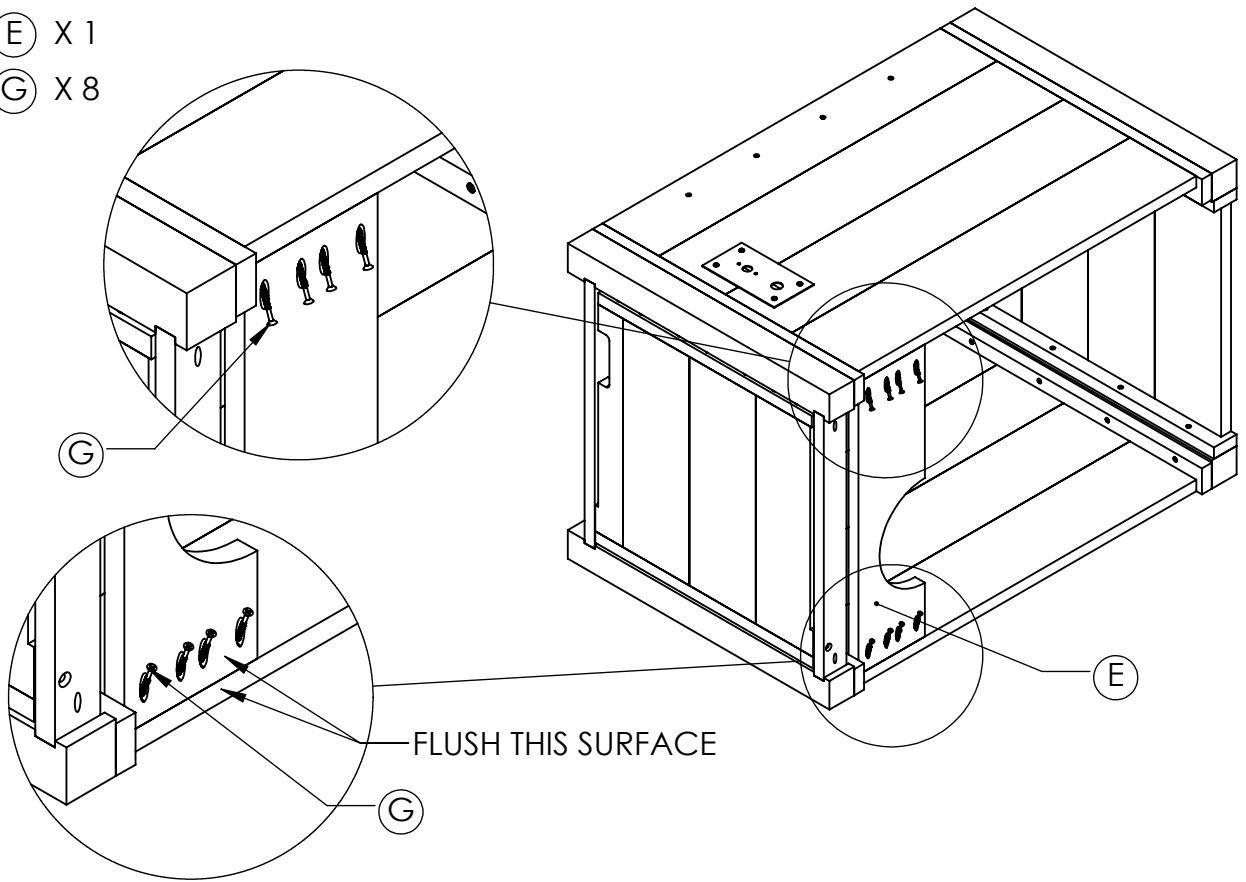
CONTROL PANEL X 1



5

(E) X 1

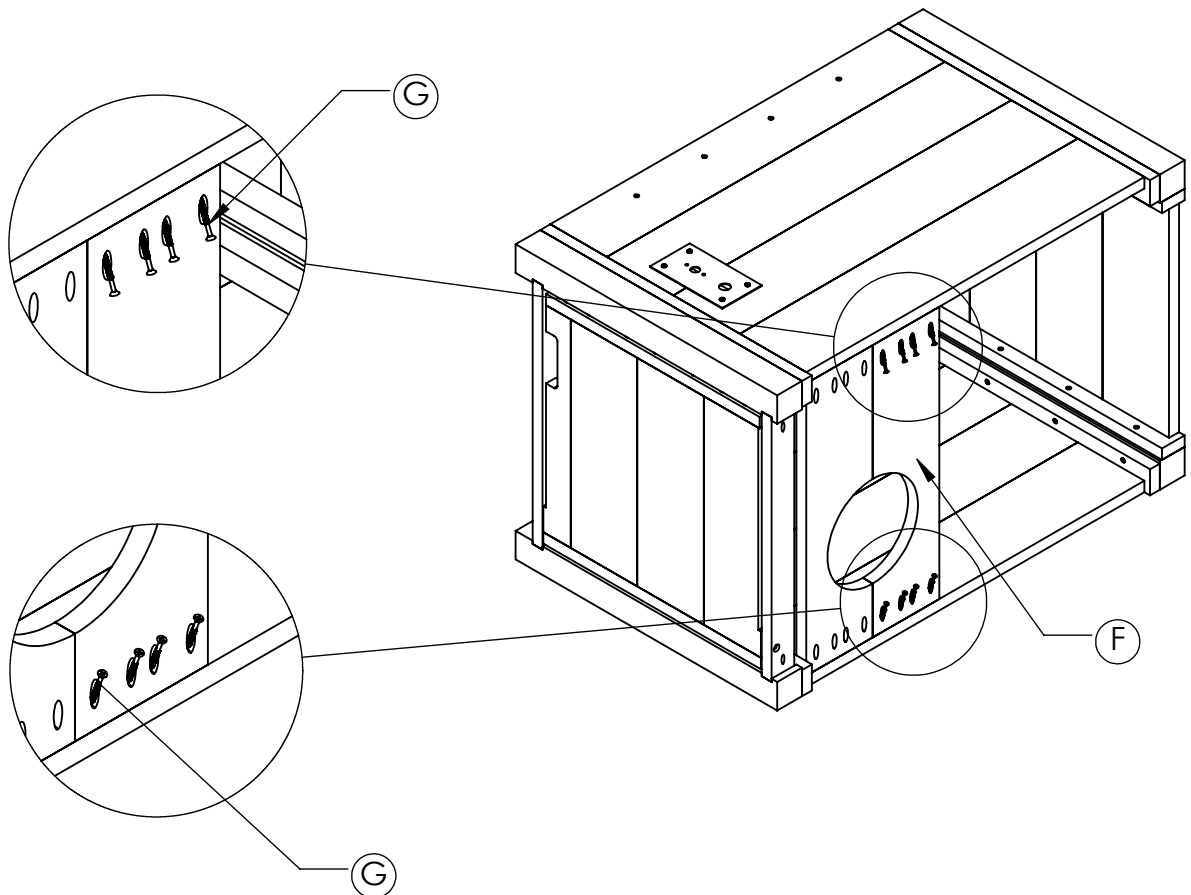
(G) X 8



6

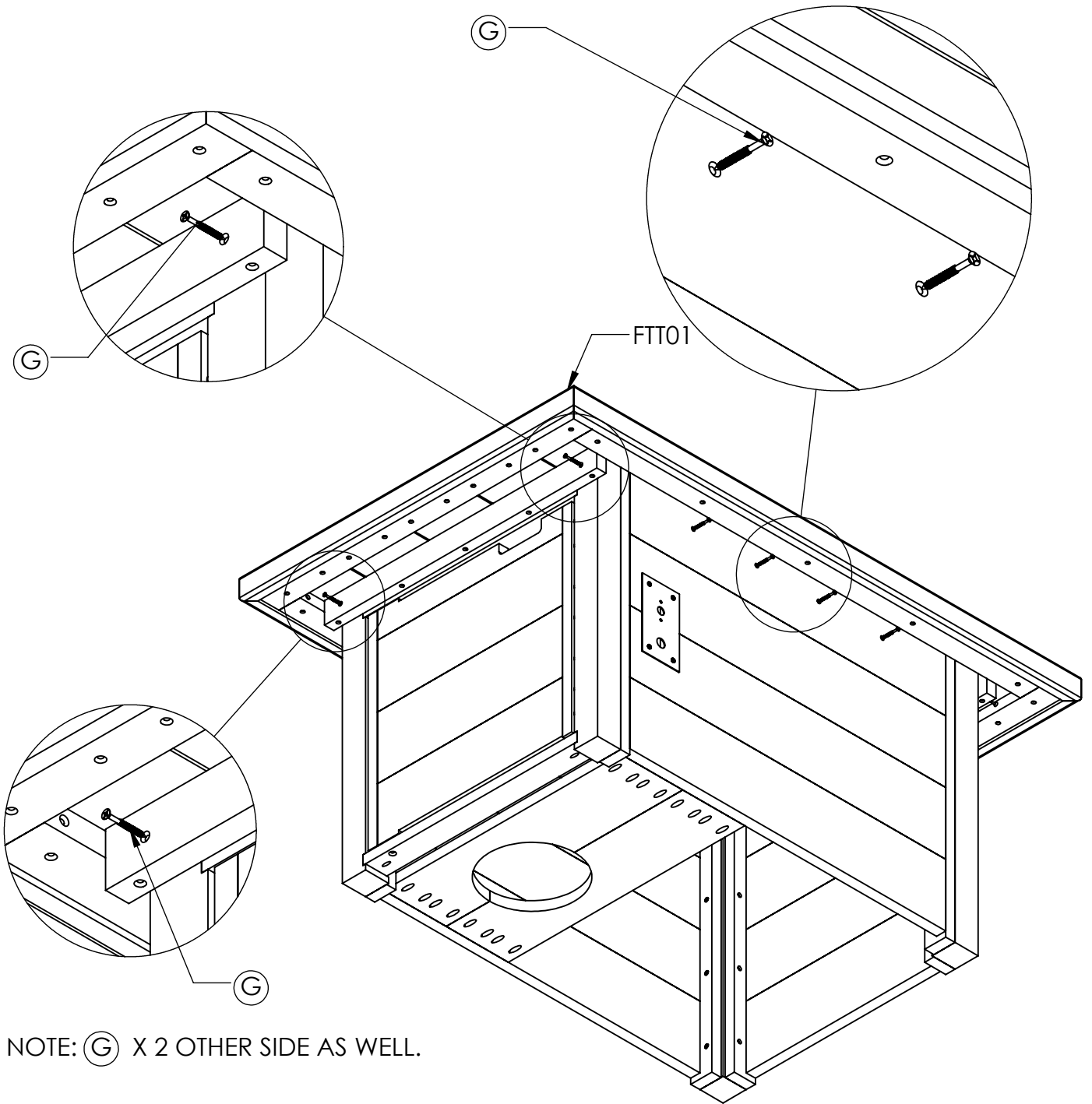
(F) X 1

(G) X 8



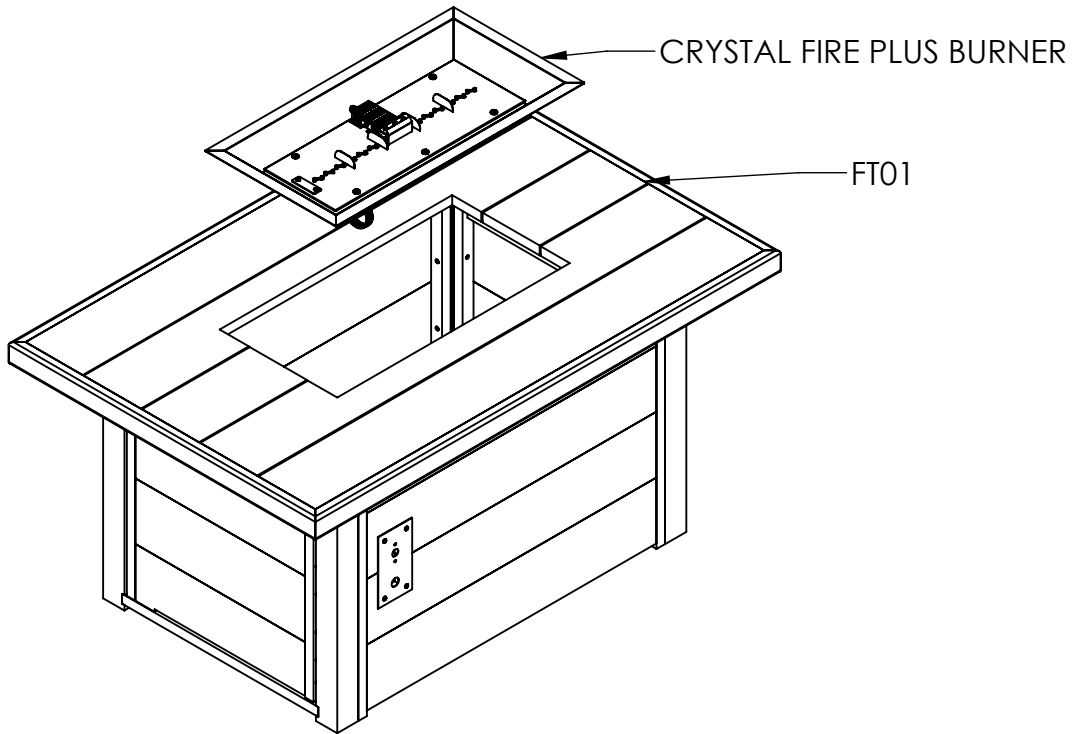
7 FTT01 X 1
Ⓞ X 12

NOTE: Ⓞ X 4 OTHER SIDE AS WELL.



8

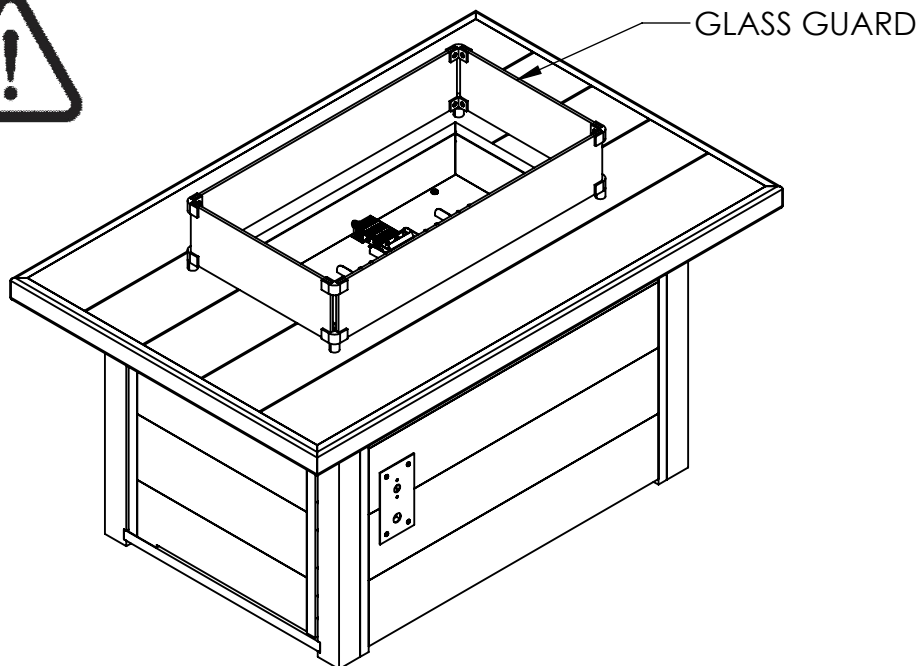
NOTE: SEE CRYSTAL FIRE PLUS MANUAL FOR BURNER ASSEMBLY AND INSTALLATION.



9

NOTE: SEE GLASS GUARD ASSEMBLY INSTRUCTION.

**IMPORTANT:
GLASS GUARD REQUIRED.**



10

NOTE: SEE CRYSTAL FILE BURNER QUICK START GUIDE WITH PROPANE CYLINDER OR NATURAL GAS CONVERSION.

