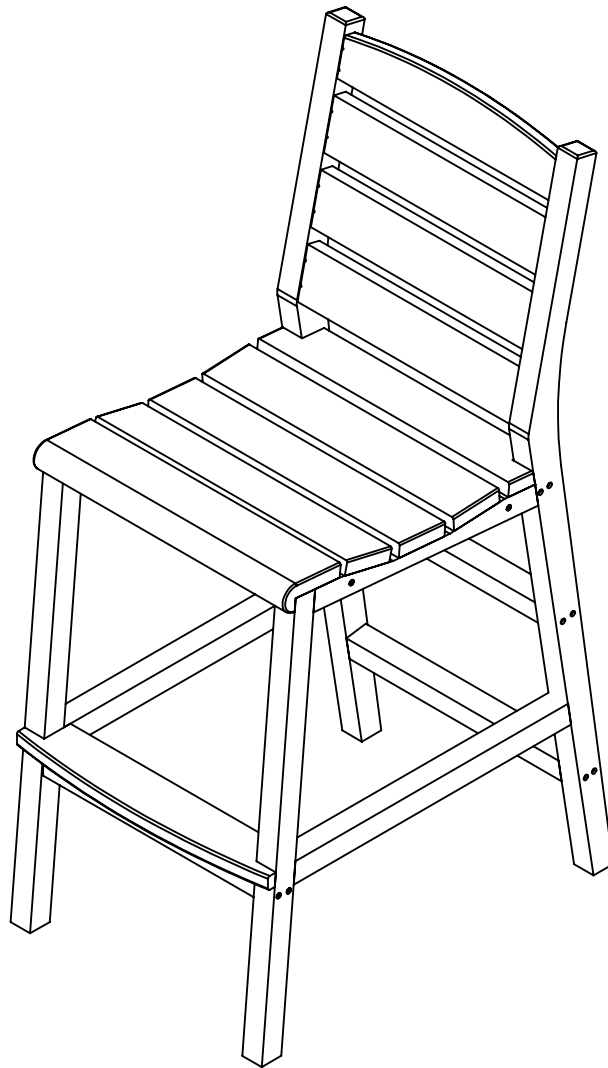


 **C.R. PLASTIC
PRODUCTS** 

we create sustainable outdoor living

C311

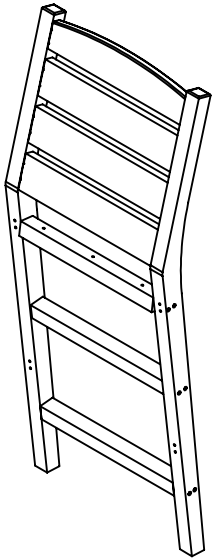




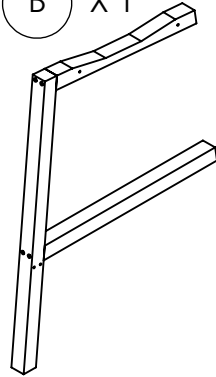
C.R. PLASTIC PRODUCTS

we create sustainable outdoor living

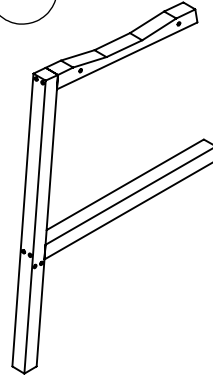
(A) X 1



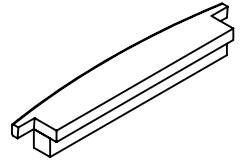
(B) X 1



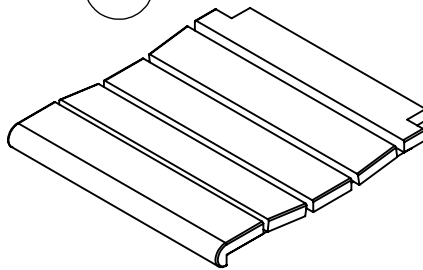
(C) X 1



(D) X 1



(E) X 1



#2



(F) X 16 2.50" / 63.5 mm



(G) X 3 2.0" / 51 mm



SCREW SIZE SCALE 1:1



1-866-439-9521



wecare@crplastics.com



www.crpproducts.com

1

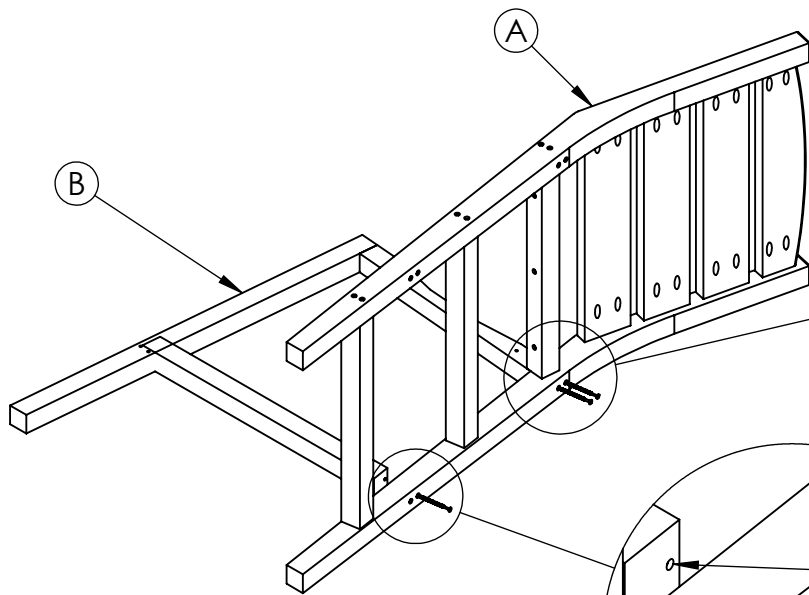
(A) x 1

(B) x 1

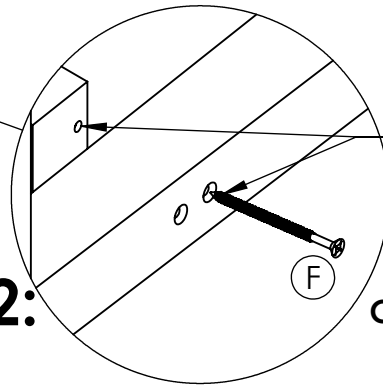
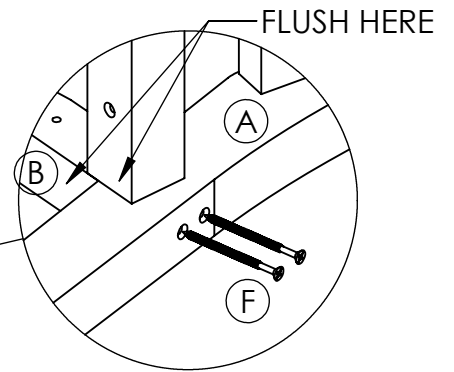
(F) x 4



MAKE SURE TO FLUSH FRAME TO BACK CENTER STRINGER AS SHOWN.

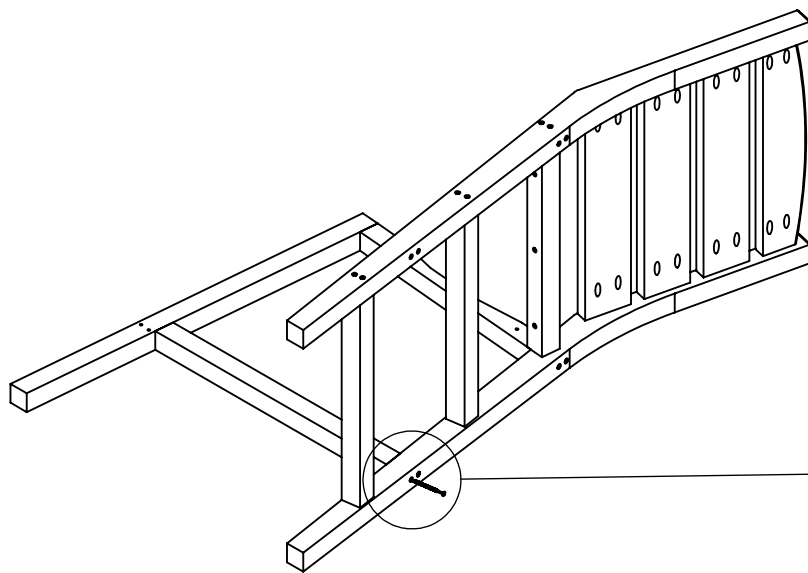


STEP 1.1:

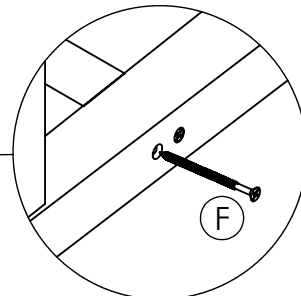


STEP 1.2:


**MAKE SURE TO USE
CORRECT COUNTERSINK**



STEP 1.3:



2

ⓐ x 1

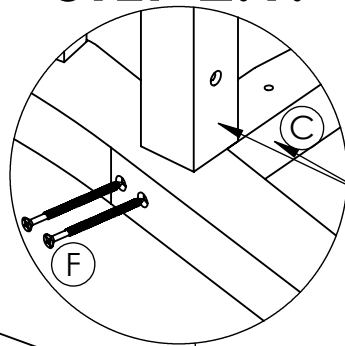
ⓓ x 1

ⓕ x 4

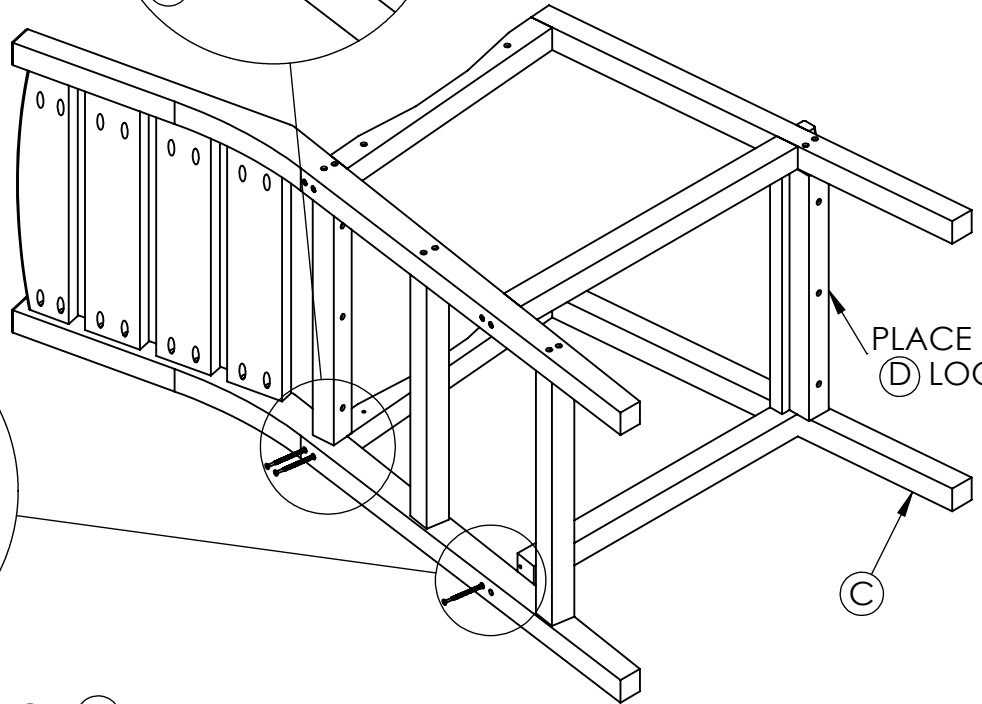
STEP 2.1:



MAKE SURE TO FLUSH FRAME TO BACK CENTER STRINGER AS SHOWN.

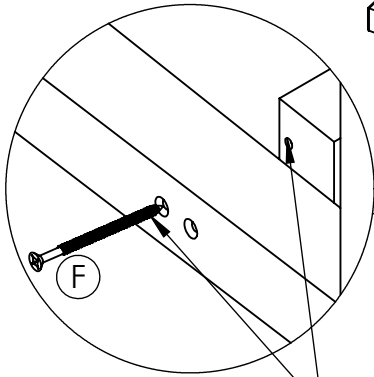


FLUSH HERE



PLACE ⓓ LOOSE

C



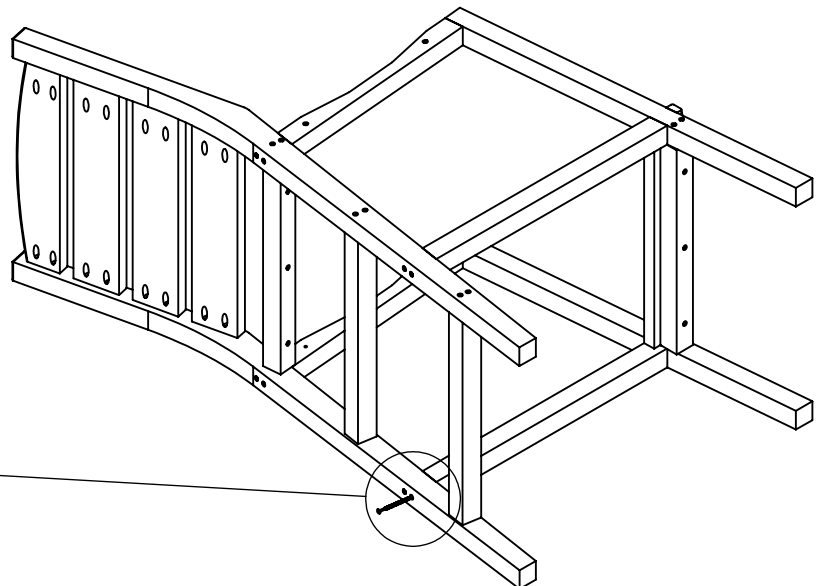
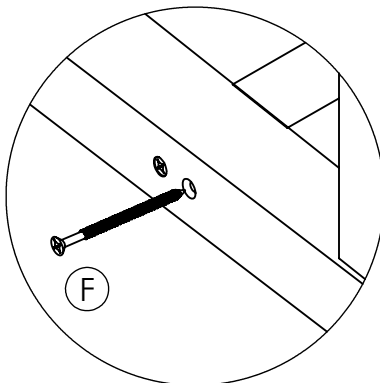
ALIGN ⓕ HERE

STEP 2.2:



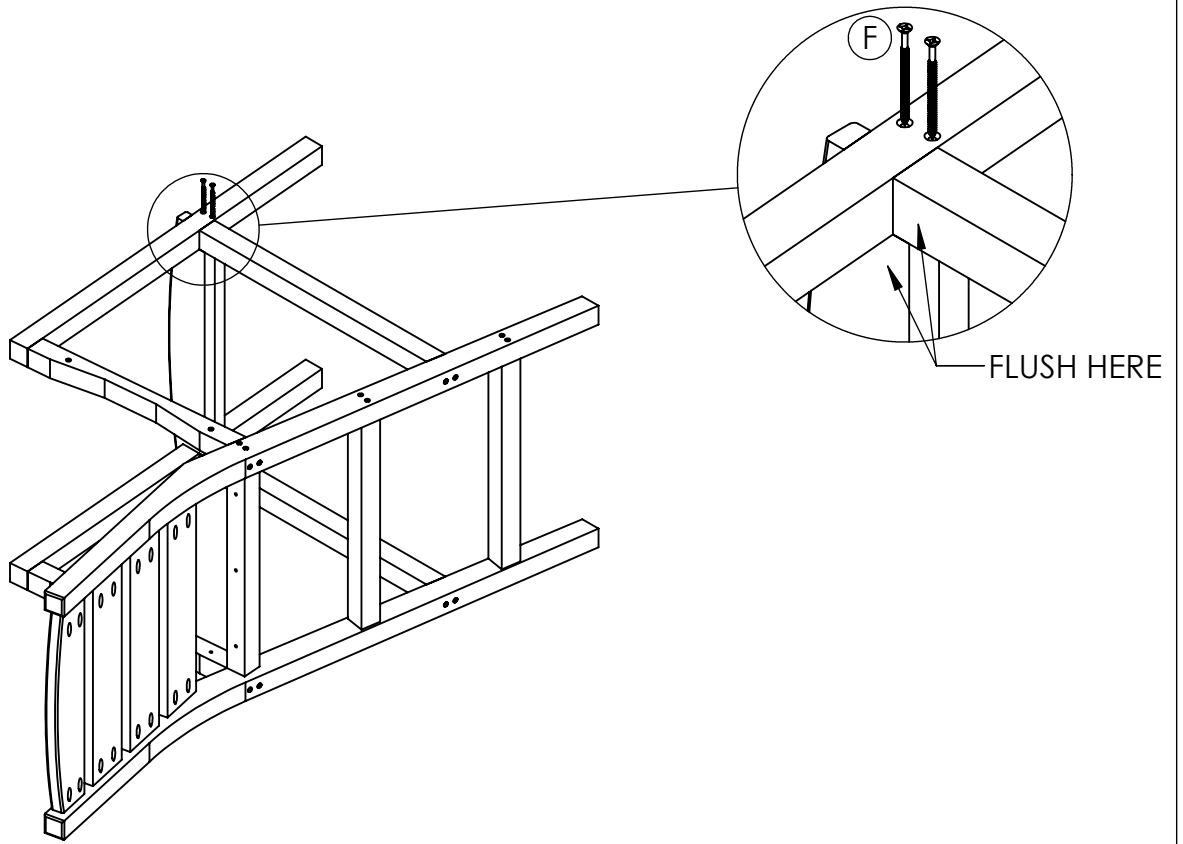
MAKE SURE TO USE
CORRECT COUNTERSINK

STEP 2.3:



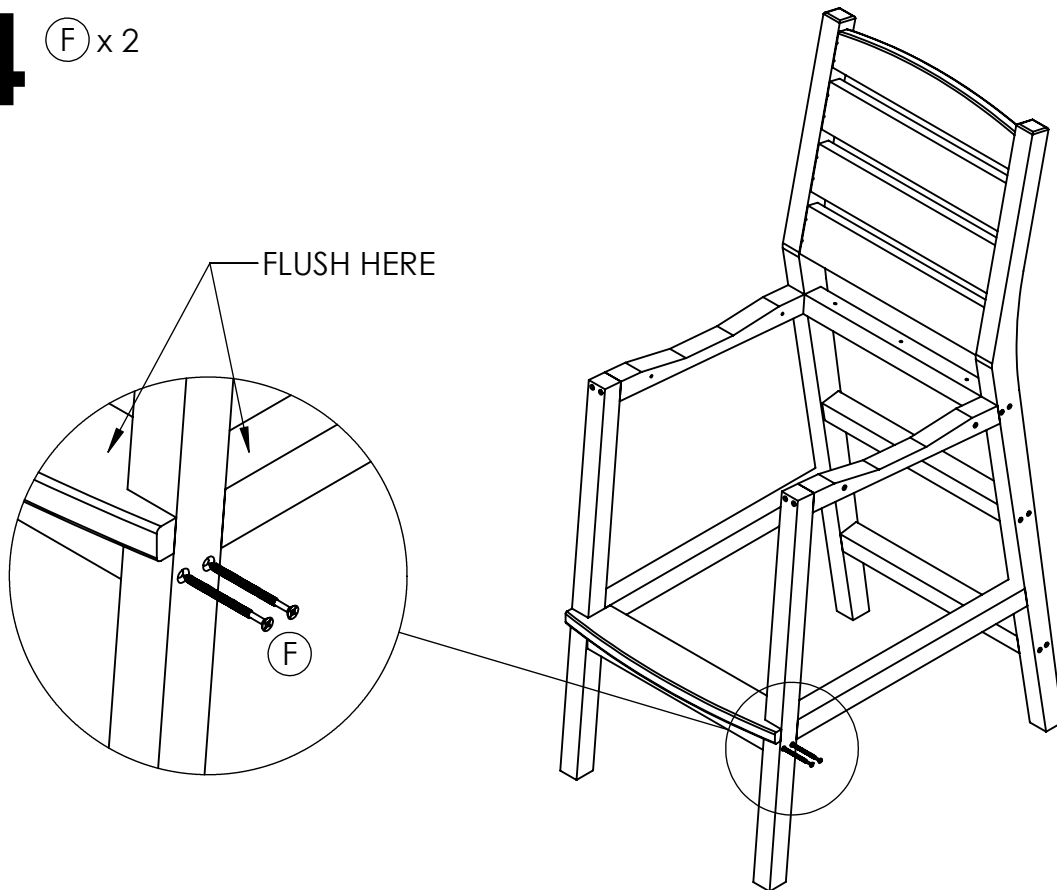
3

(F) x 2



4

(F) x 2



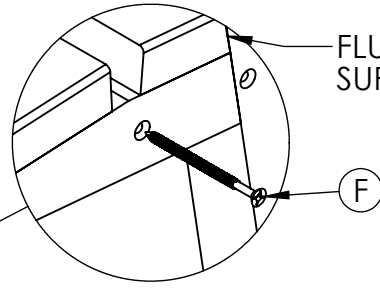
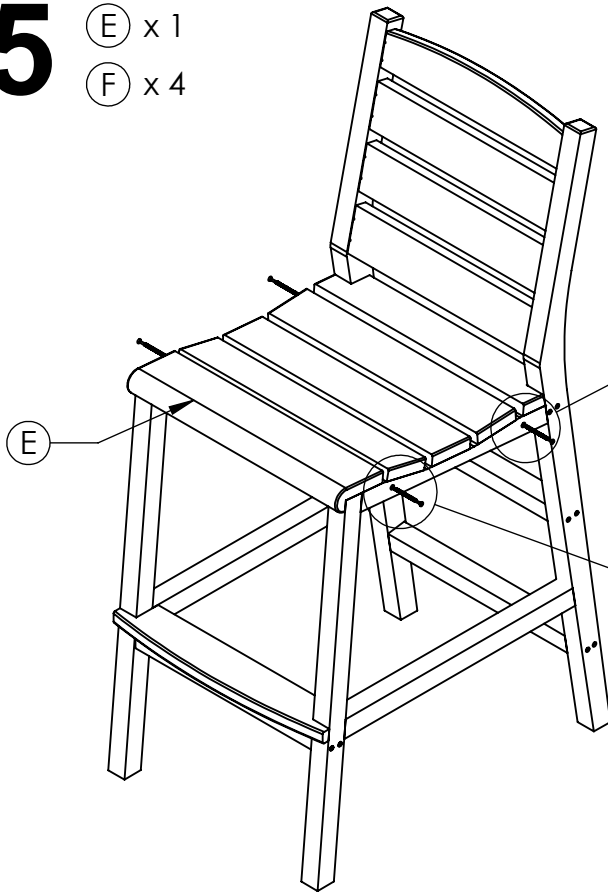
5

ⓔ x 1

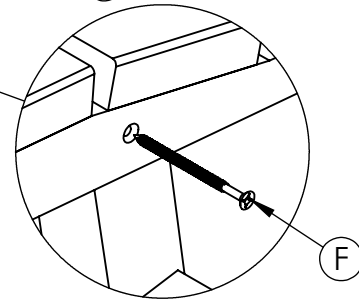
ⓕ x 4

STEP 5.1:
PUSH ⓔ DOWN AND FASTEN ⓕ

FLUSH THIS
SURFACE



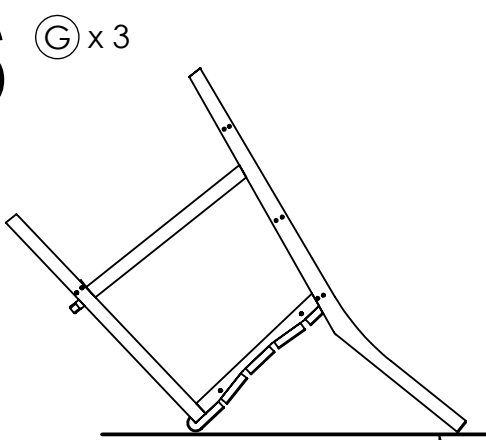
STEP 5.2:
PUSH ⓔ DOWN AND FASTEN ⓕ



NOTE: REPEAT SAME FOR OTHER SIDE.

6

ⓖ x 3



PLACE ON CLEAN/SMOOTH
SURFACE TO AVOID SCRATCH

