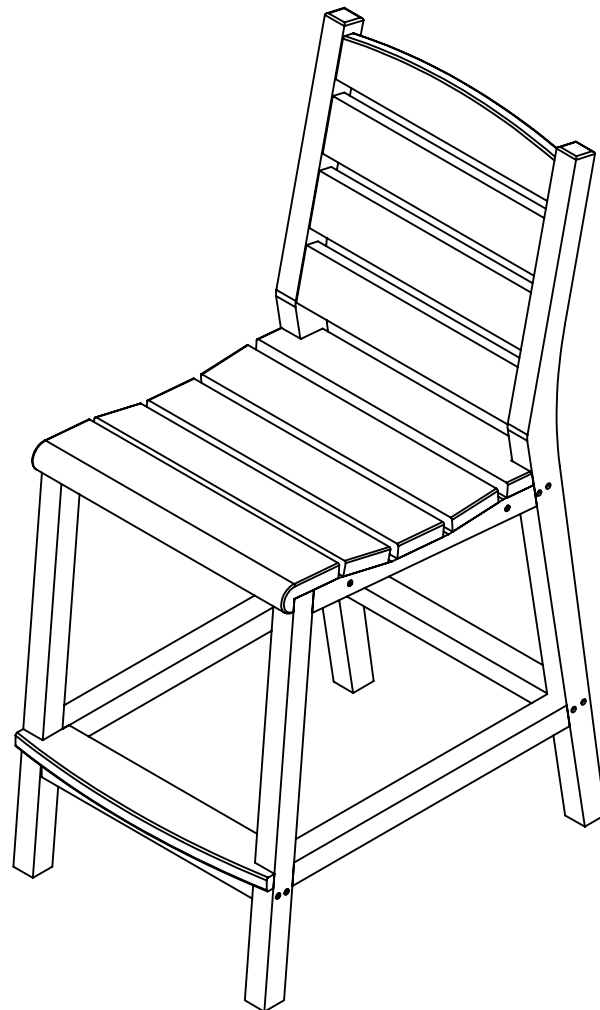


**C.R. PLASTIC
PRODUCTS**

we create sustainable outdoor living

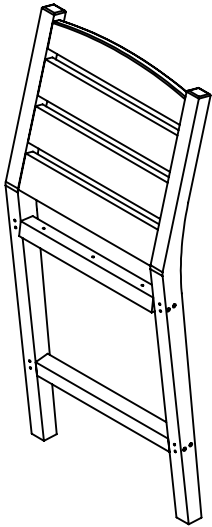
C311C



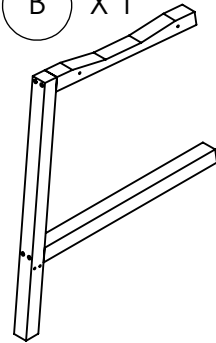
C.R. PLASTIC PRODUCTS

we create sustainable outdoor living

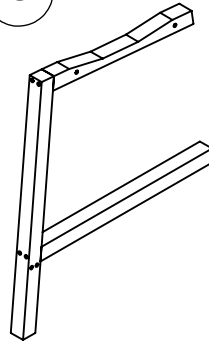
A X 1



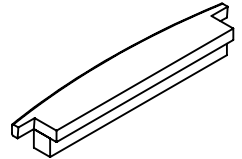
B X 1



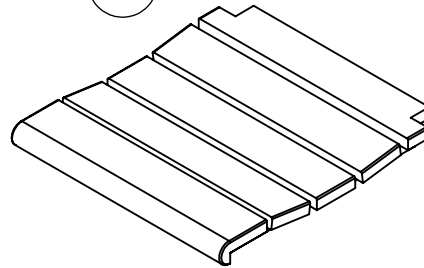
C X 1



D X 1



E X 1



#2



F X 16 2.50" / 63.5 mm



G X 3 2.0" / 51 mm



SCREW SIZE SCALE 1:1



1-866-439-9521



wecare@crplastics.com



www.crpproducts.com

1

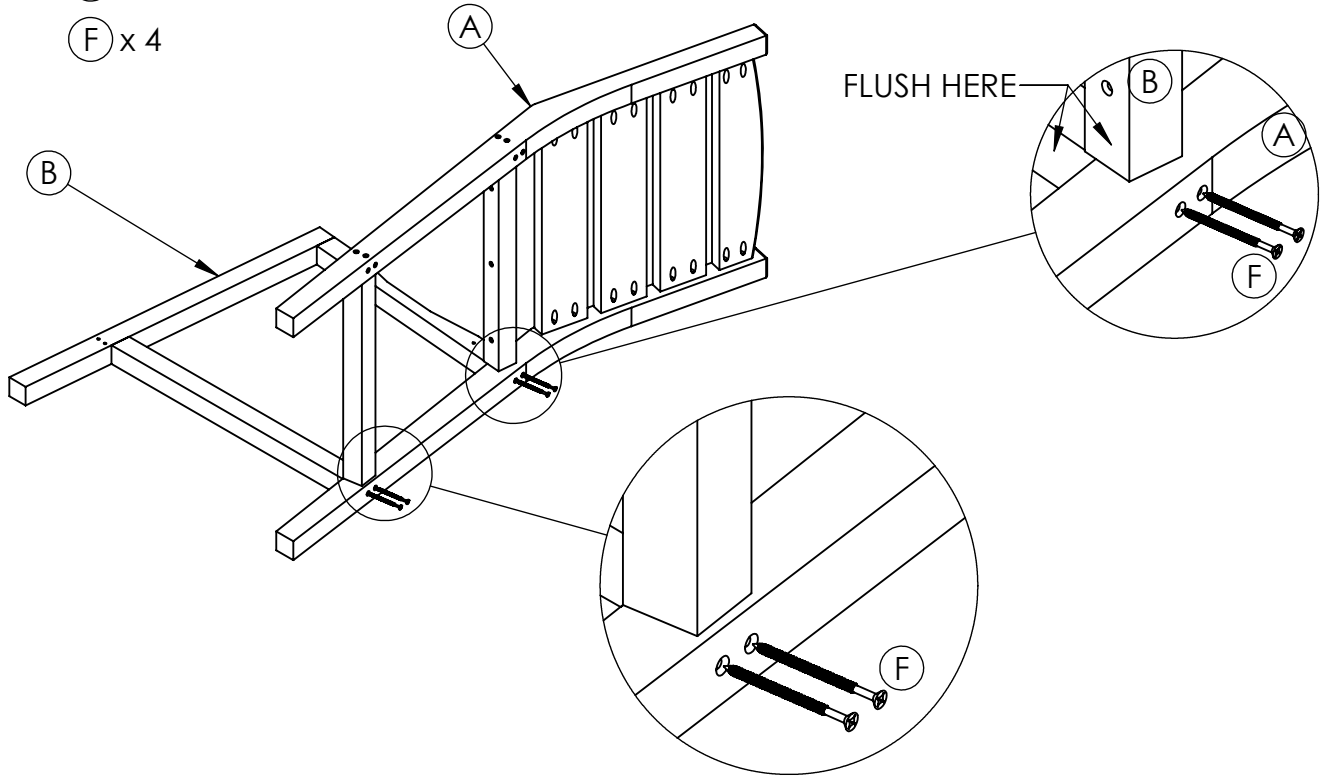
(A) x 1

(B) x 1

(F) x 4



NOTE: MAKE SURE TO FLUSH FRAME TO BACK CENTER STRINGER AS SHOWN.



2

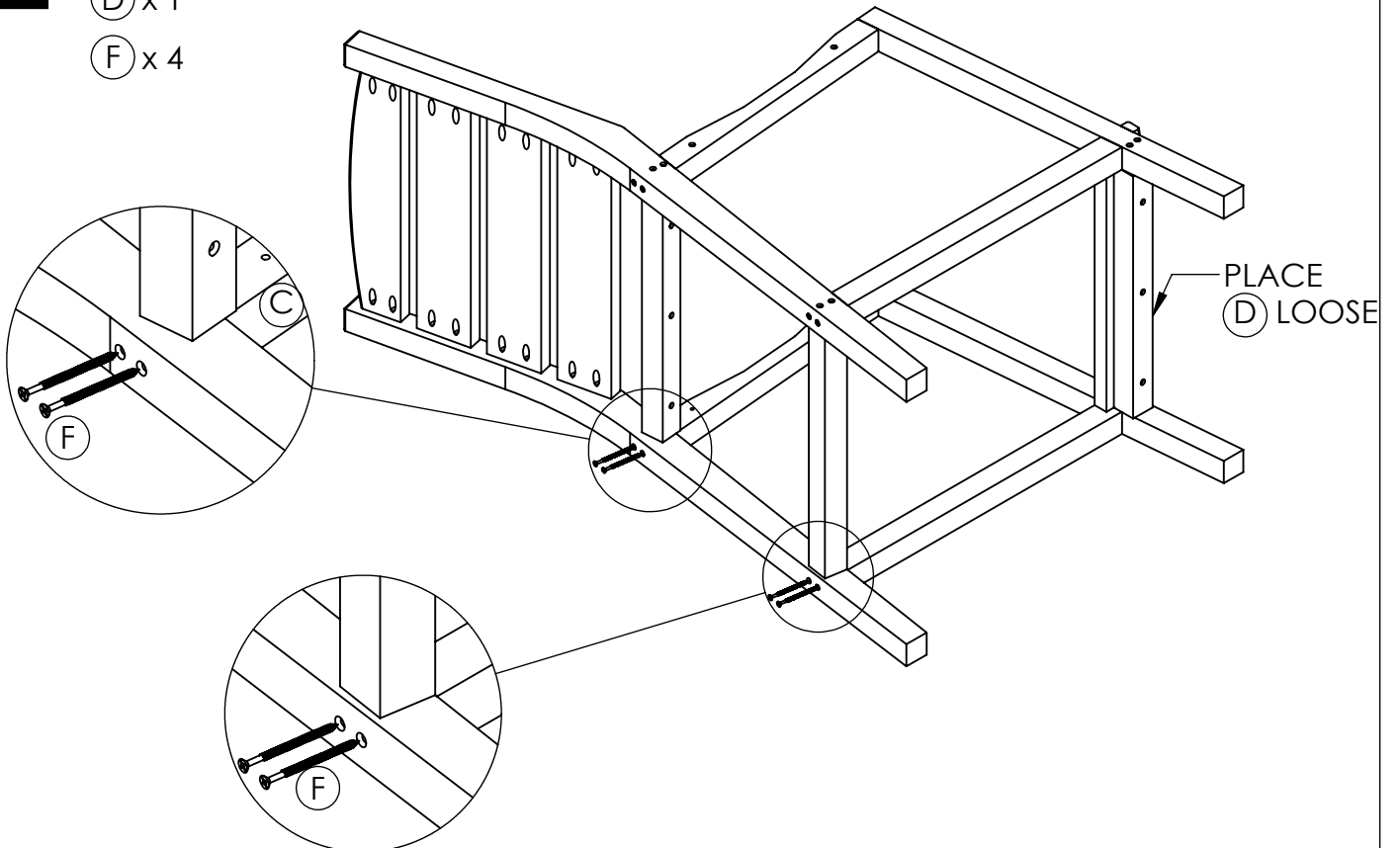
(C) x 1

(D) x 1

(F) x 4

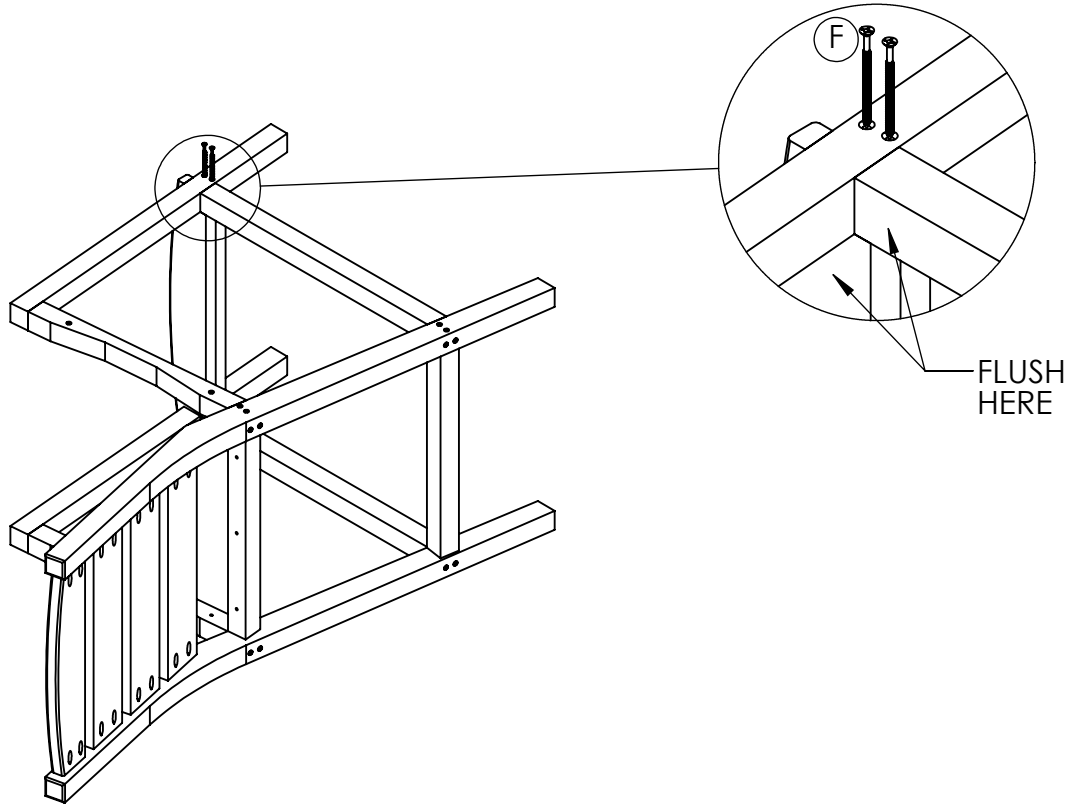


NOTE: MAKE SURE TO FLUSH FRAME TO BACK CENTER STRINGER AS SHOWN.



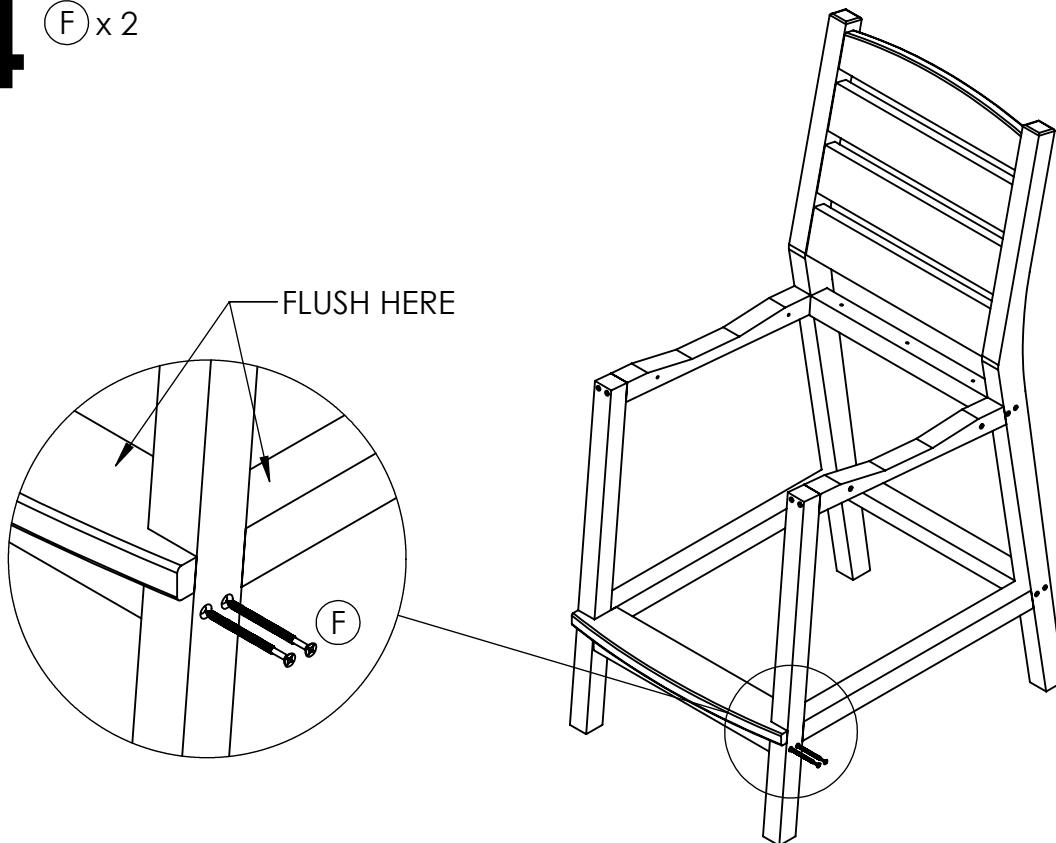
3

(F) x 2



4

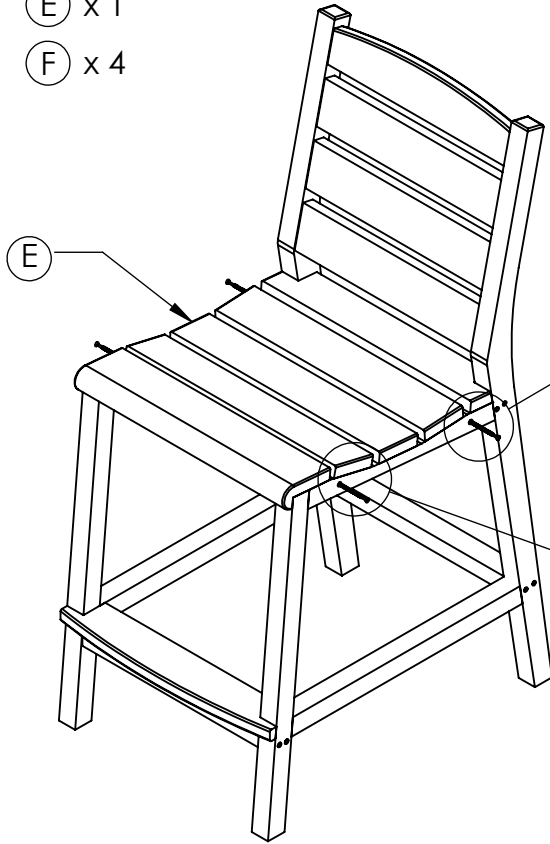
(F) x 2



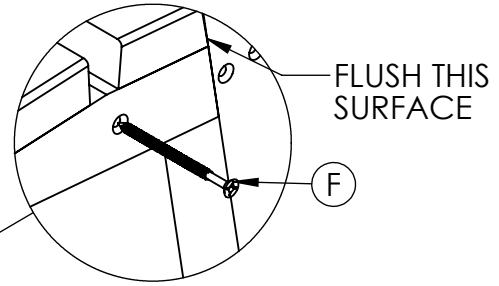
5

Ⓔ x 1

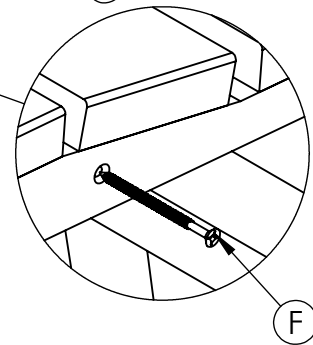
Ⓕ x 4



STEP 5.1:
PUSH Ⓔ DOWN AND FASTEN Ⓕ



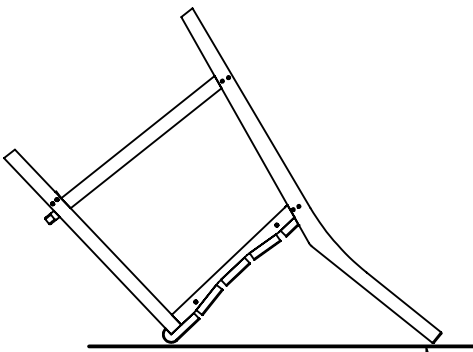
STEP 5.2:
PUSH Ⓔ DOWN AND FASTEN Ⓕ



NOTE: REPEAT SAME FOR OTHER SIDE.

6

Ⓖ x 3



PLACE ON CLEAN/SMOOTH
SURFACE TO AVOID SCRATCH

