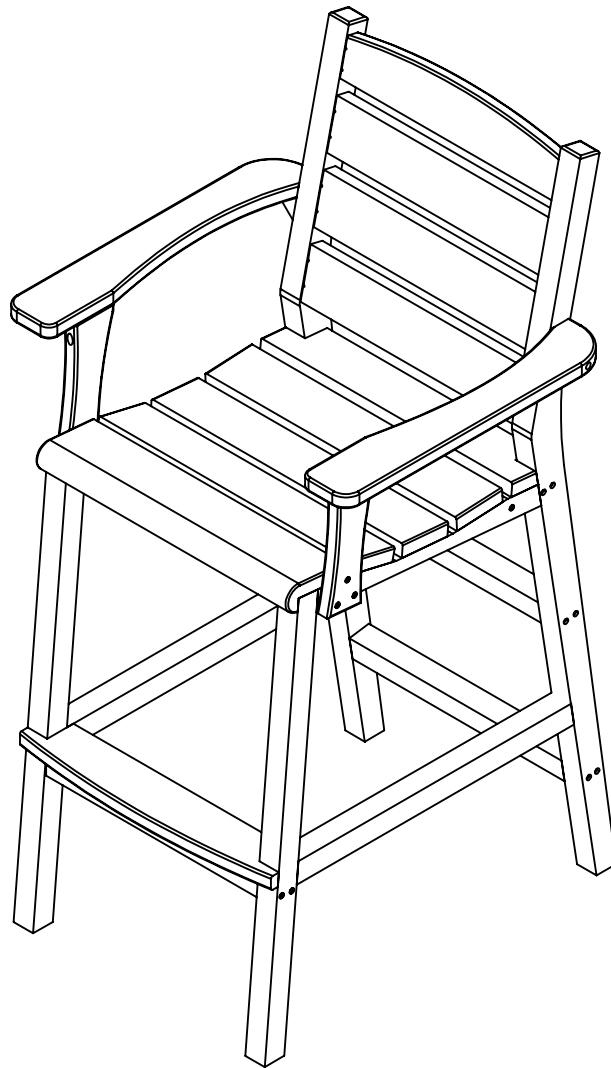


**C.R. PLASTIC
PRODUCTS**

we create sustainable outdoor living

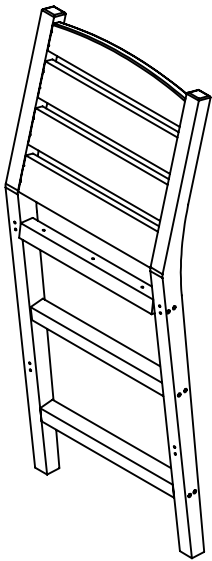
C313



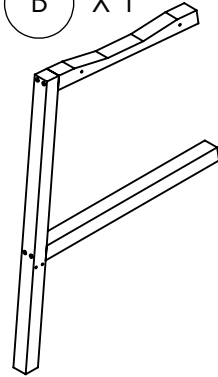
C.R. PLASTIC PRODUCTS

we create sustainable outdoor living

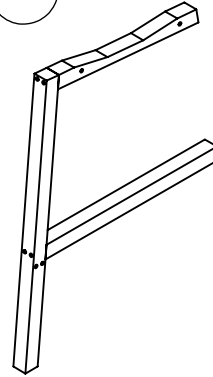
A X1



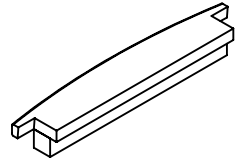
B X1



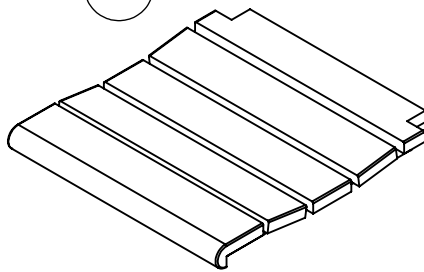
C X1



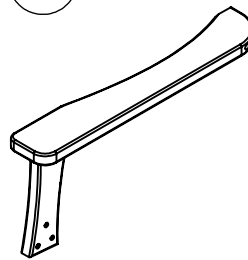
D X1



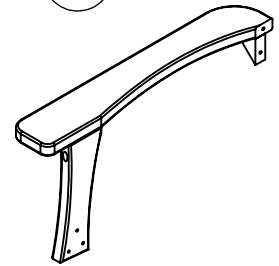
E X1



F X1



G X1



#2

H X 18 2.50" / 63.5 mm

J X 9 2.0" / 51 mm

K X 2 1.50" / 38 mm



SCREW SIZE SCALE 1:1



1-866-439-9521



wecare@crplastics.com



www.crpproducts.com

1

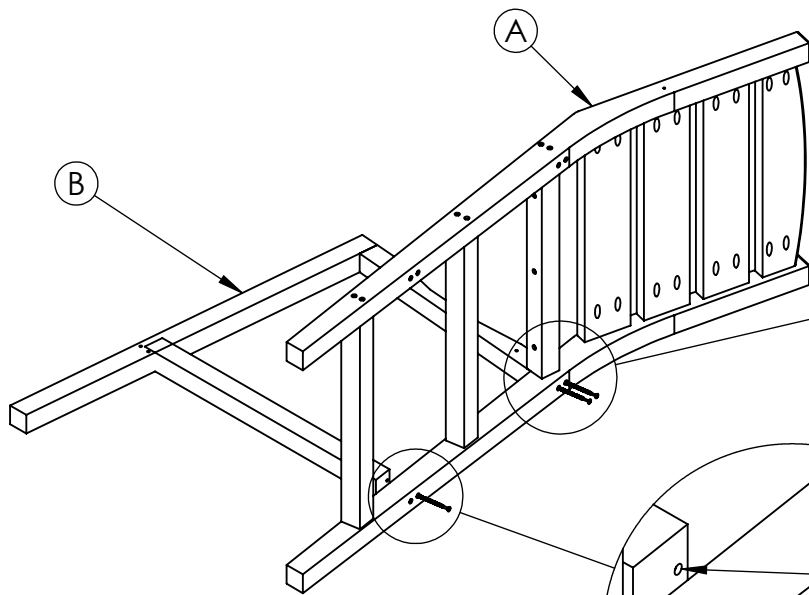
(A) x 1

(B) x 1

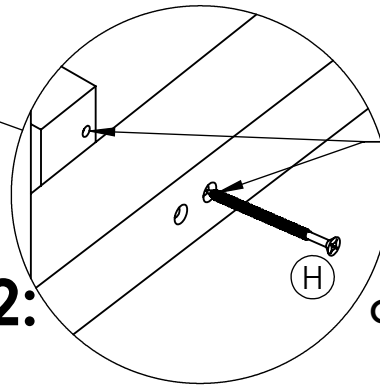
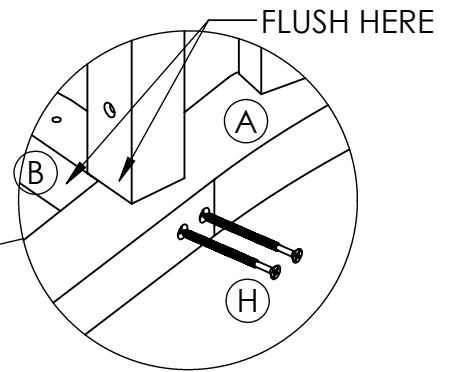
(H) x 4



NOTE: MAKE SURE TO FLUSH FRAME TO BACK CENTER STRINGER AS SHOWN.

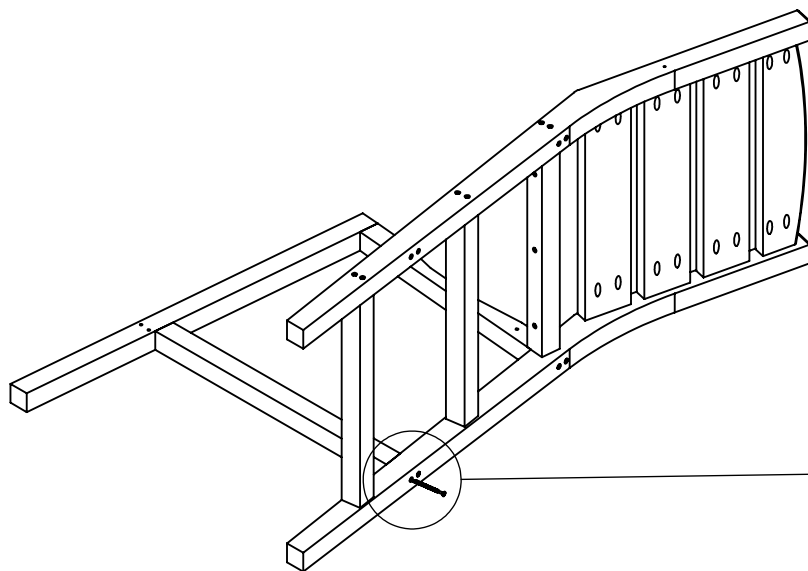


STEP 1.1:

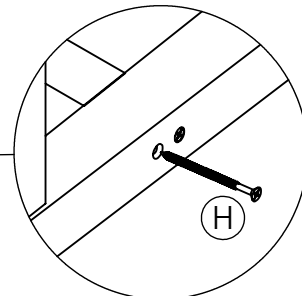


STEP 1.2:


MAKE SURE TO USE
CORRECT COUNTERSINK



STEP 1.3:



2

ⓐ x 1

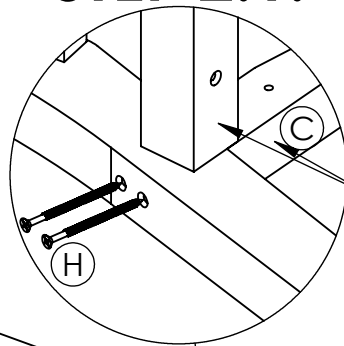
ⓓ x 1

ⓓ x 4

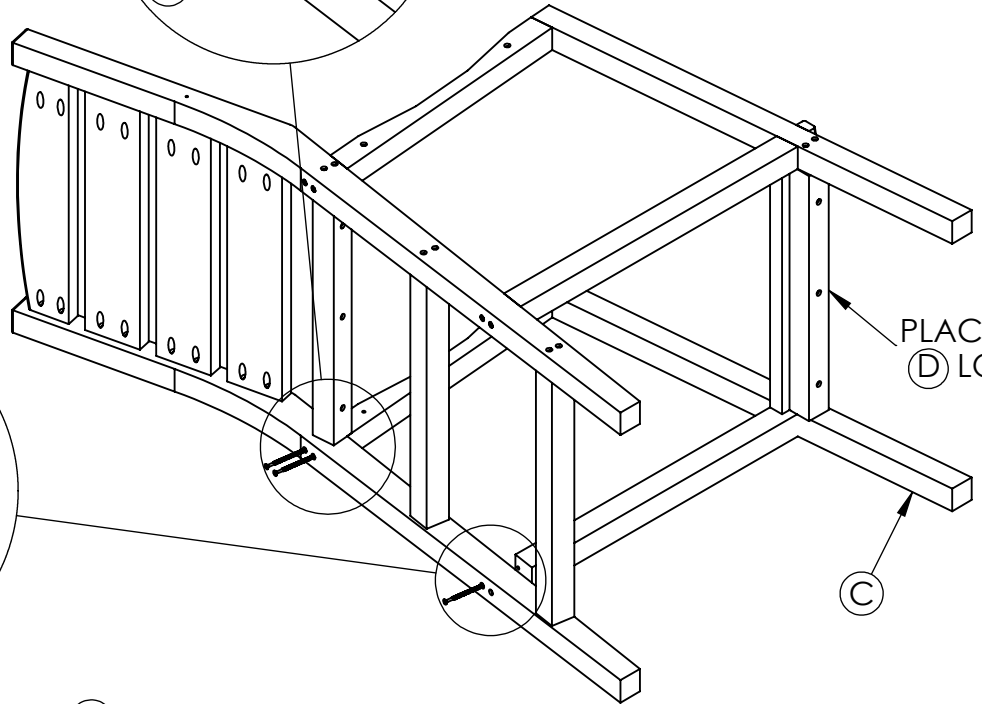
STEP 2.1:



MAKE SURE TO FLUSH FRAME TO BACK CENTER STRINGER AS SHOWN.

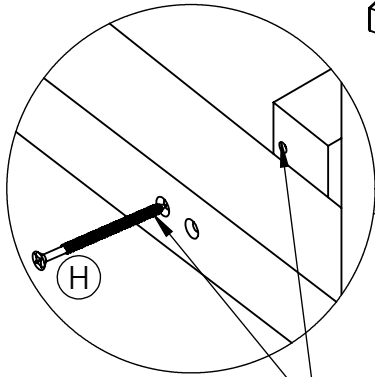


FLUSH HERE



PLACE
ⓓ LOOSE

ⓐ



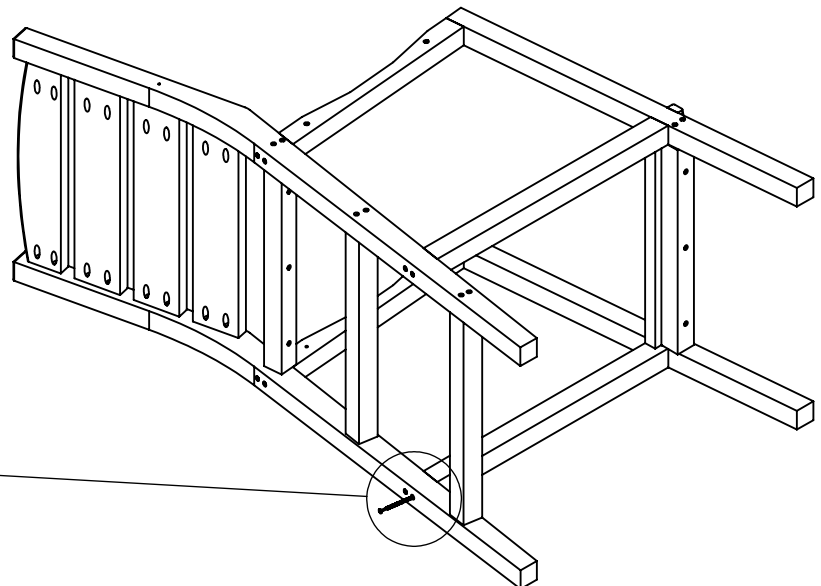
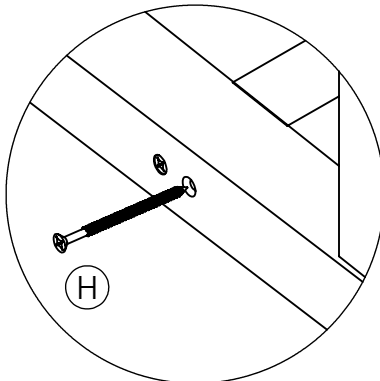
ALIGN ⓓ HERE

STEP 2.2:

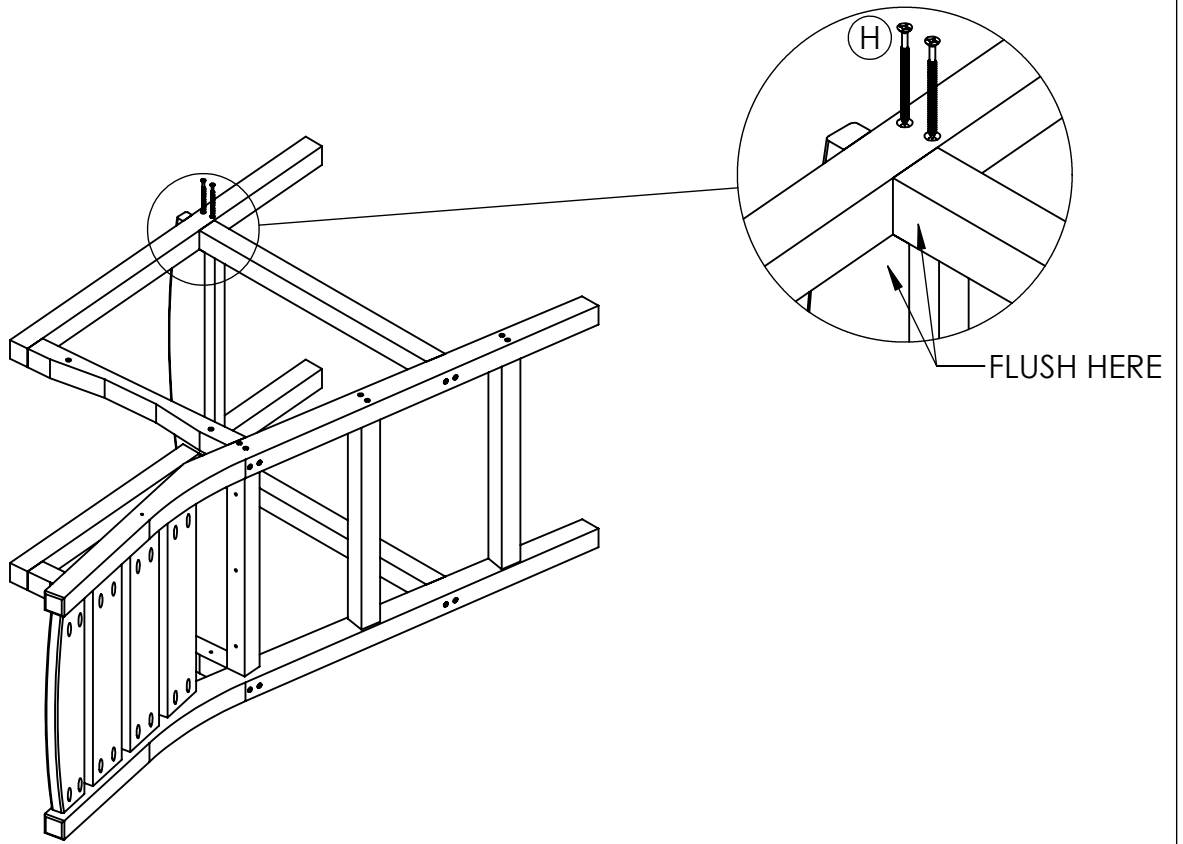


MAKE SURE TO USE
CORRECT COUNTERSINK

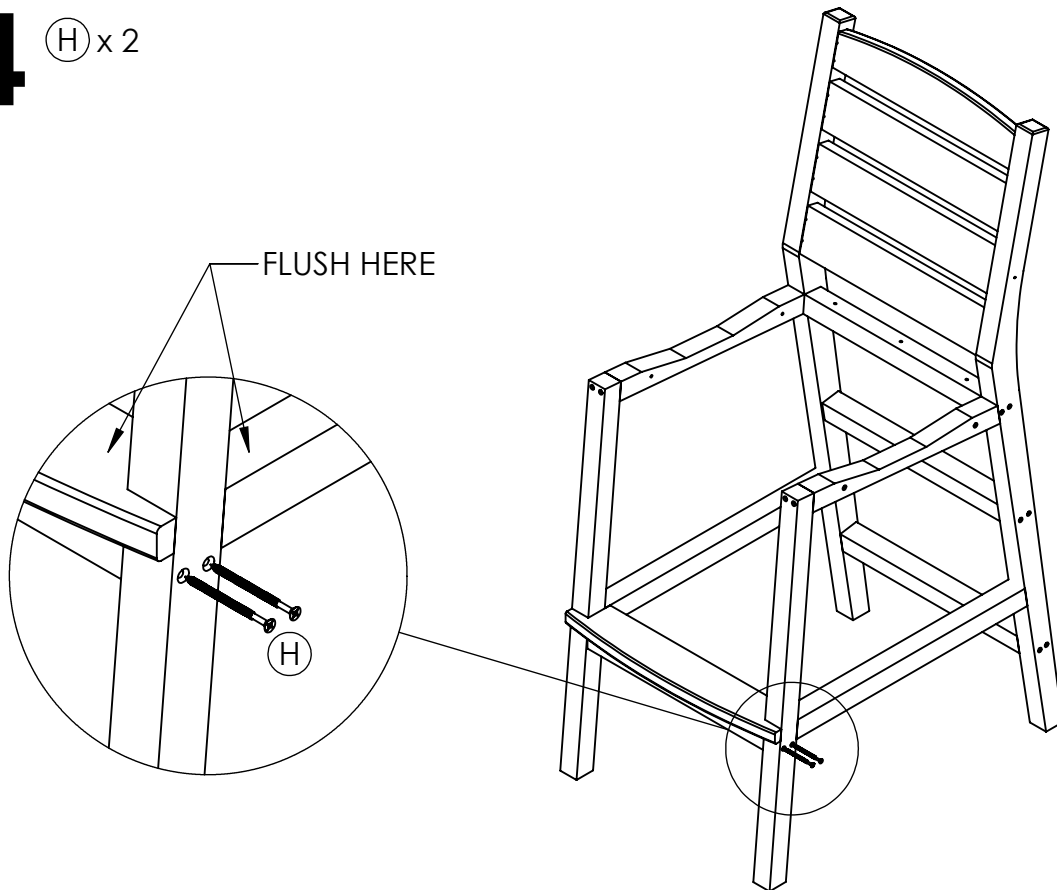
STEP 2.3:



3 (H) x 2



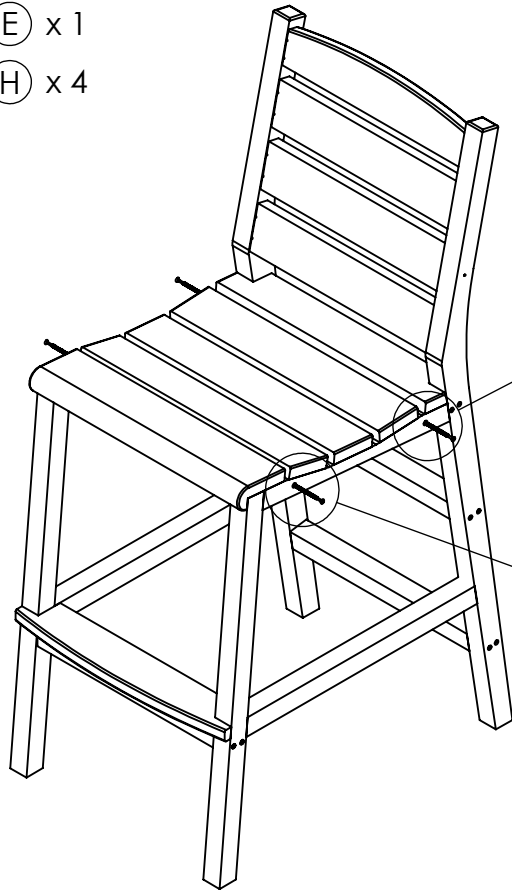
4 (H) x 2



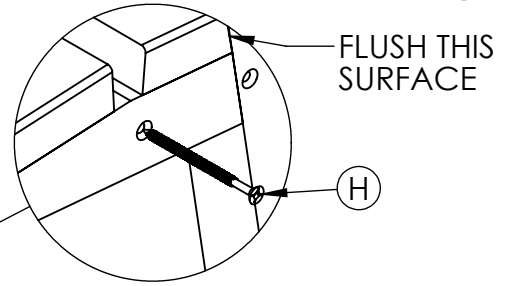
5

Ⓔ x 1

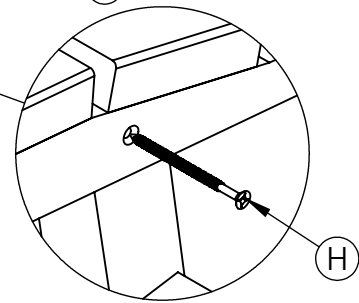
Ⓗ x 4



STEP 5.1:
PUSH Ⓔ DOWN AND FASTEN Ⓗ



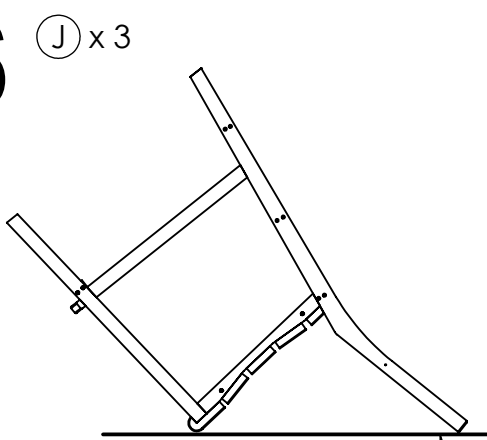
STEP 5.2:
PUSH Ⓔ DOWN AND FASTEN Ⓗ



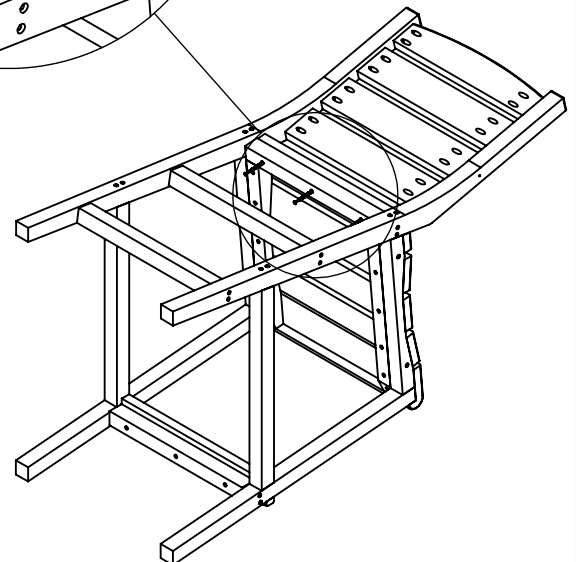
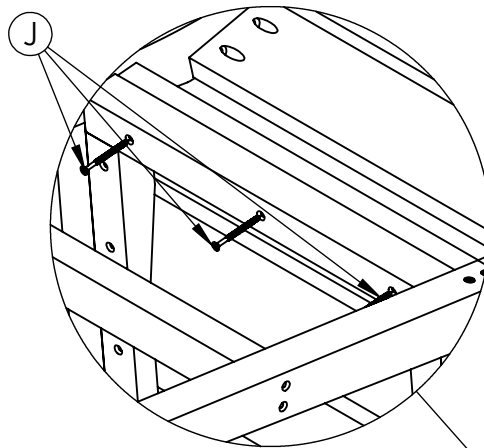
NOTE: REPEAT SAME FOR OTHER SIDE.

6

Ⓙ x 3



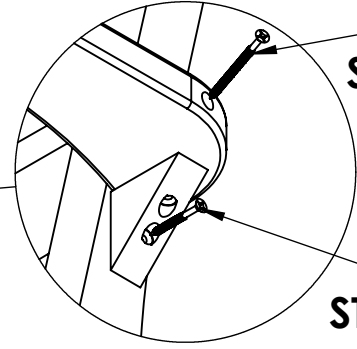
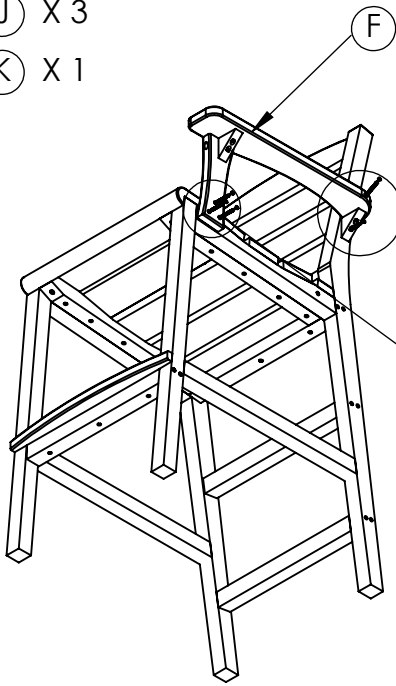
PLACE ON CLEAN/SMOOTH
SURFACE TO AVOID SCRATCH



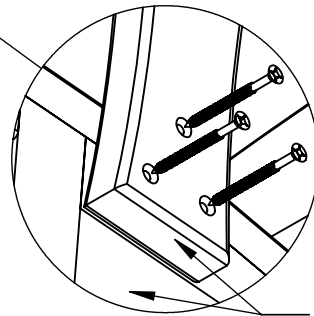
7

- (F) X 1
- (H) X 1
- (J) X 3
- (K) X 1

ALIGN (H) WITH PECK MARK ON THE SIDES OF (A) FOR ACCURATE ARM LOCATION.



STEP 7.1:



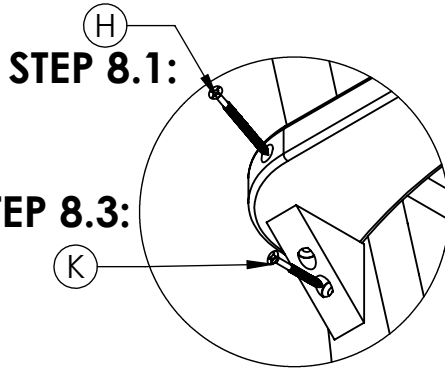
STEP 7.2:

FLUSH HERE

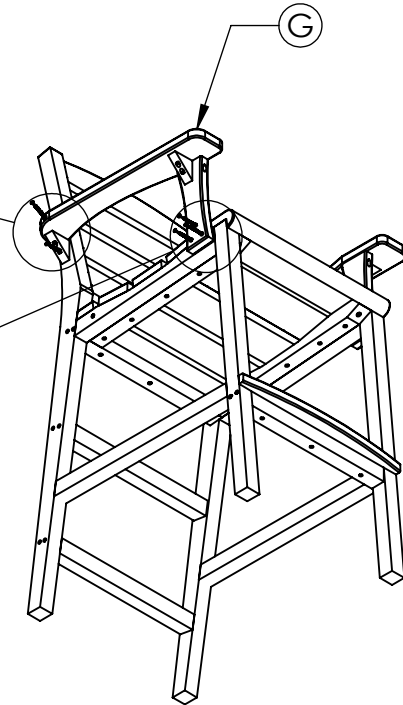
8

- (G) X 1
- (H) X 1
- (J) X 3
- (K) X 1

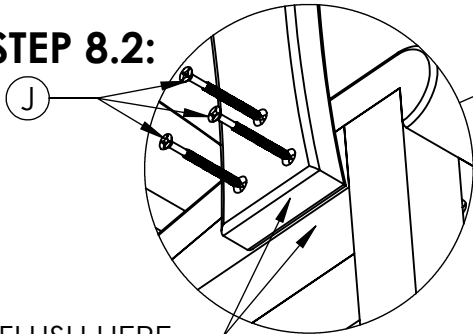
ALIGN (H) WITH PECK MARK ON THE SIDES OF (A) FOR ACCURATE ARM LOCATION.



STEP 8.3:



STEP 8.2:



FLUSH HERE

