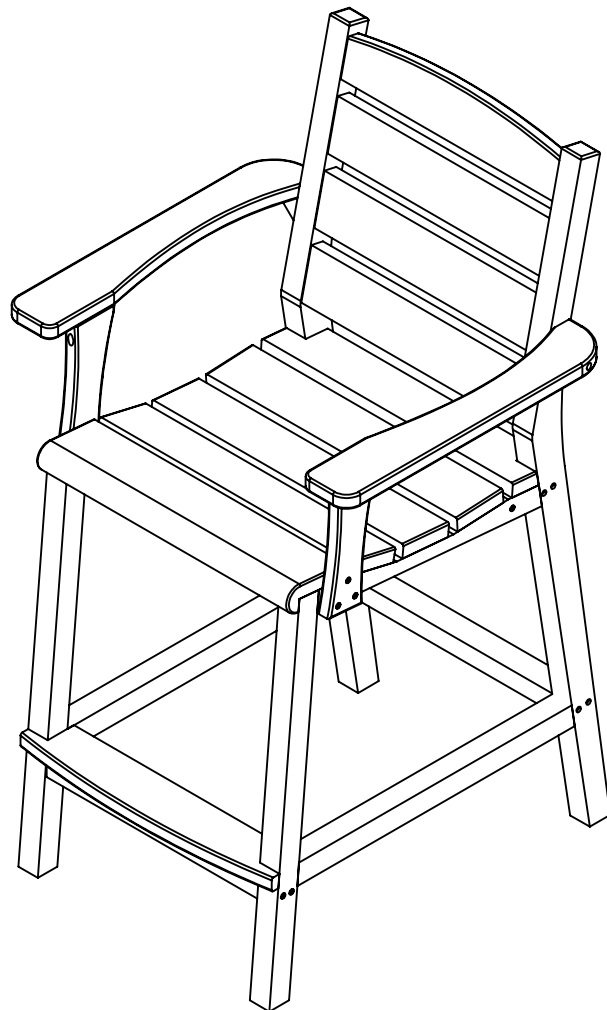


**C.R. PLASTIC  
PRODUCTS**

*we create* sustainable outdoor living

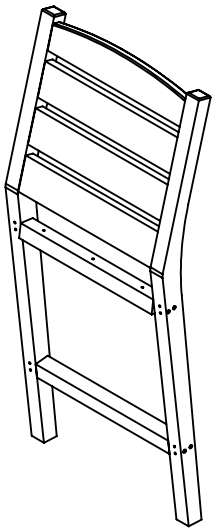
C313C



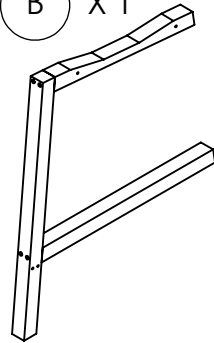
# C.R. PLASTIC PRODUCTS

*we create* sustainable outdoor living

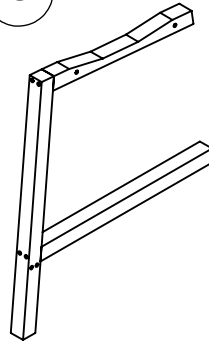
A X1



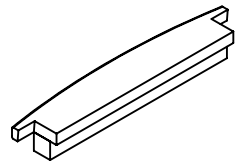
B X1



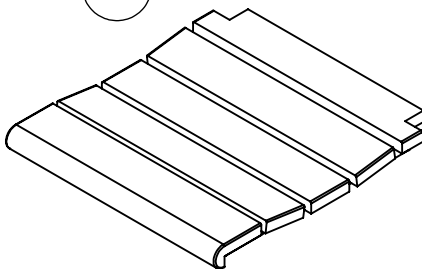
C X1



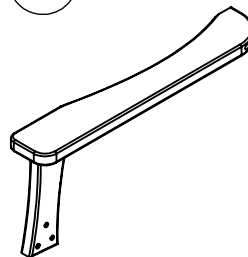
D X1



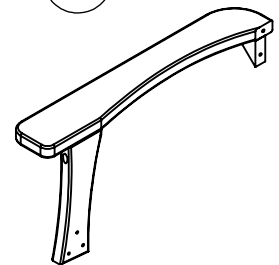
E X1



F X1



G X1



#2

H X 18 2.50" / 63.5 mm

J X 9 2.0" / 51 mm

K X 2 1.50" / 38 mm



SCREW SIZE SCALE 1:1



1-866-439-9521



wecare@crplastics.com



www.crpproducts.com

# 1

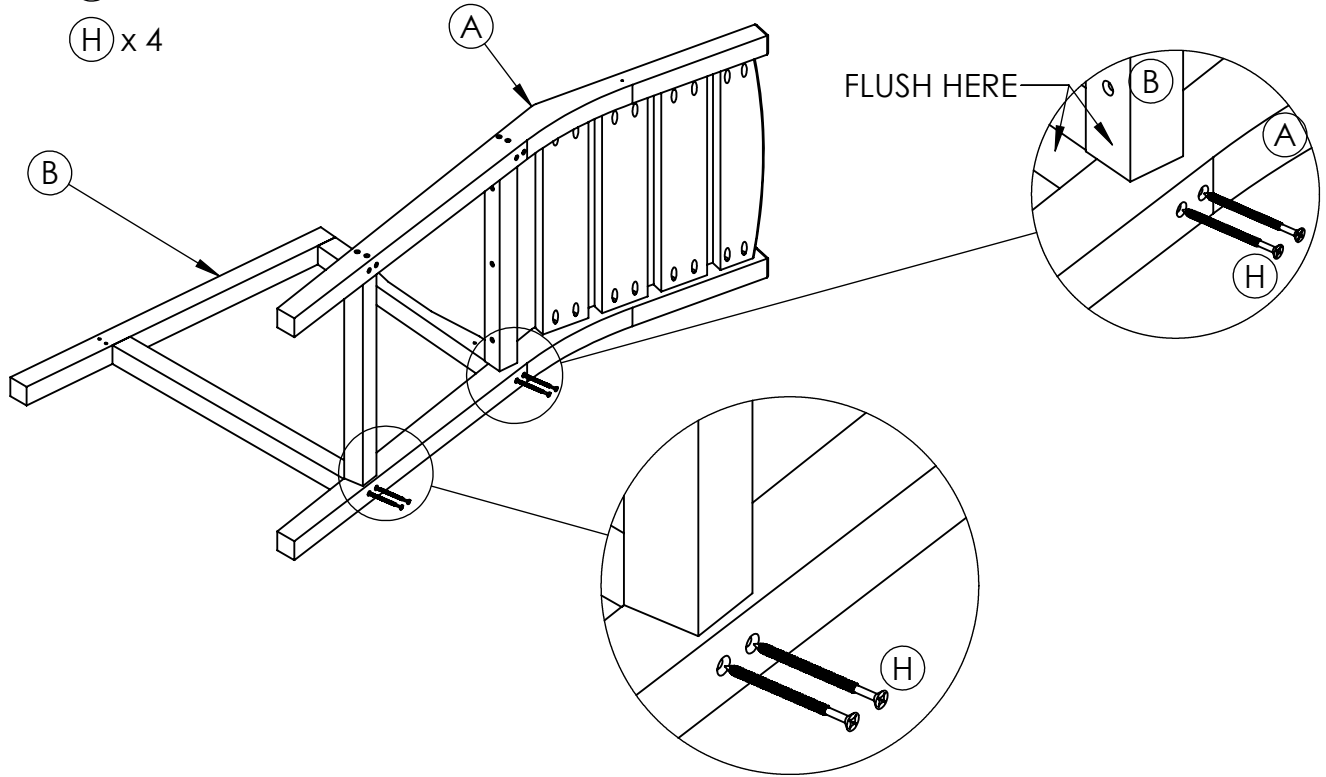
(A) x 1

(B) x 1

(H) x 4



NOTE: MAKE SURE TO FLUSH FRAME TO BACK CENTER STRINGER AS SHOWN.



# 2

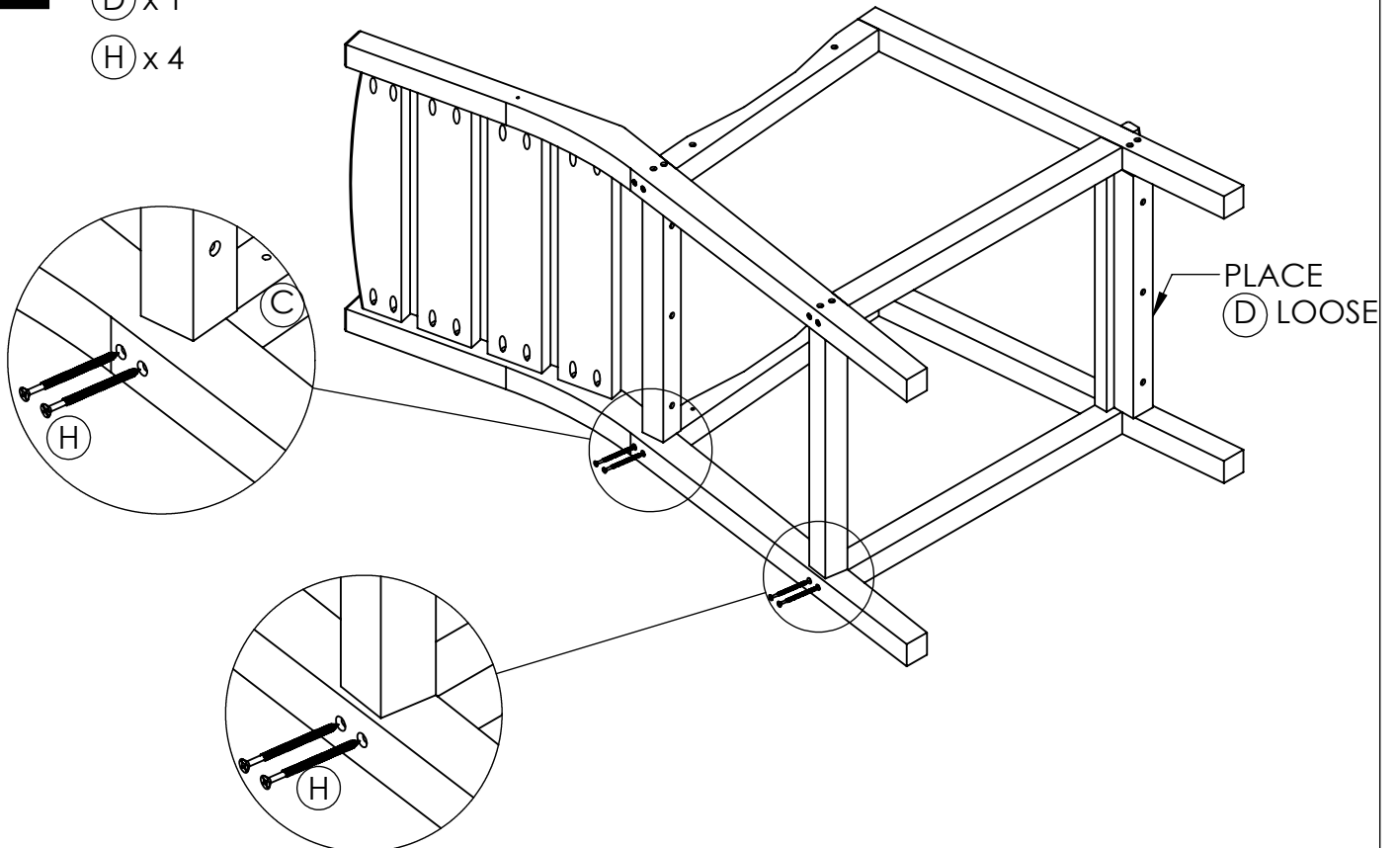
(C) x 1

(D) x 1

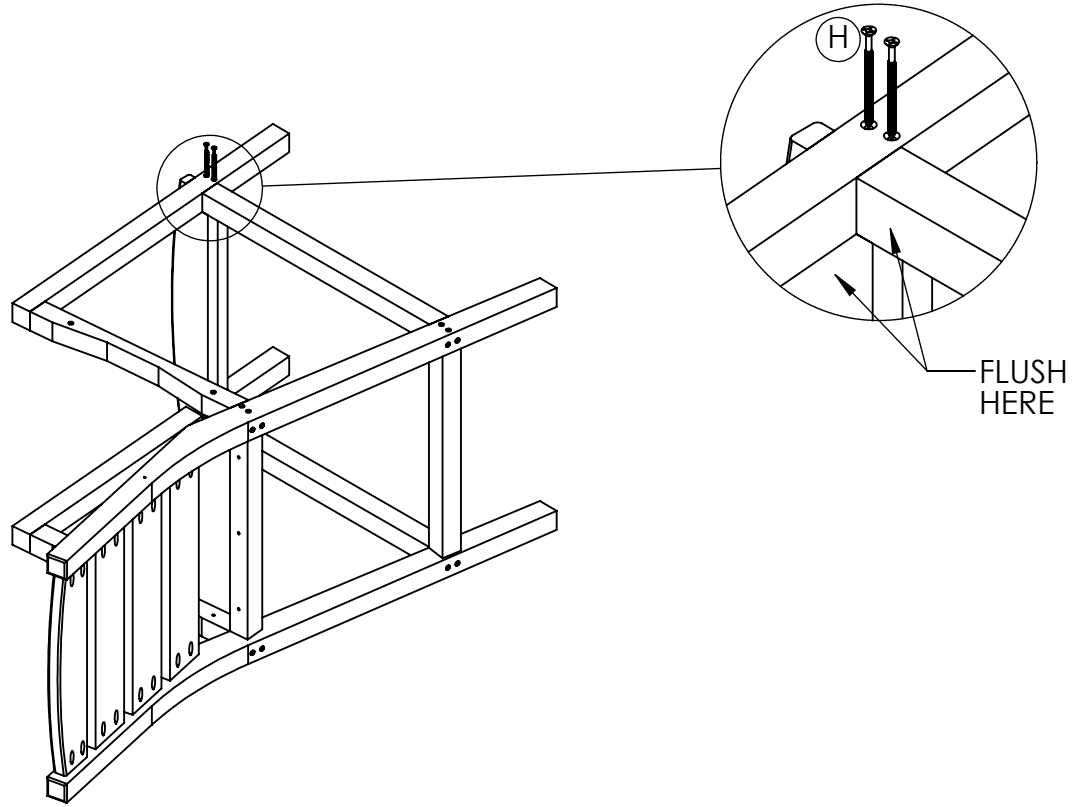
(H) x 4



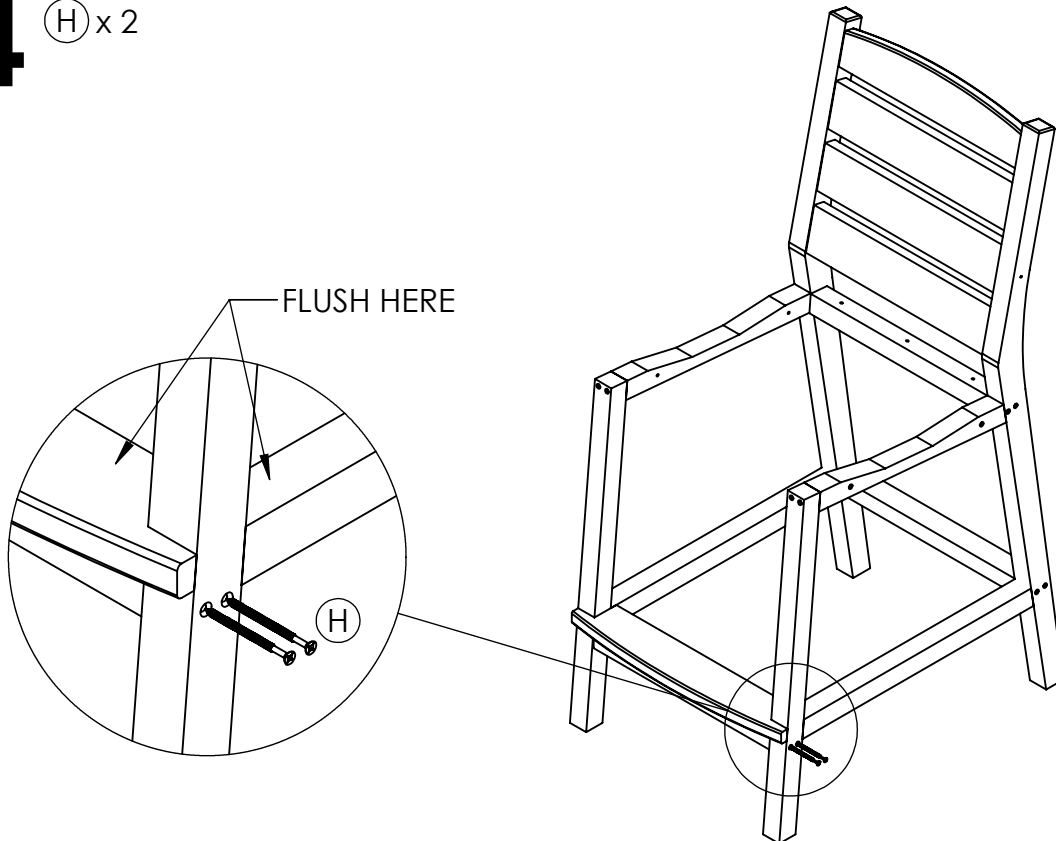
NOTE: MAKE SURE TO FLUSH FRAME TO BACK CENTER STRINGER AS SHOWN.



**3** (H) x 2



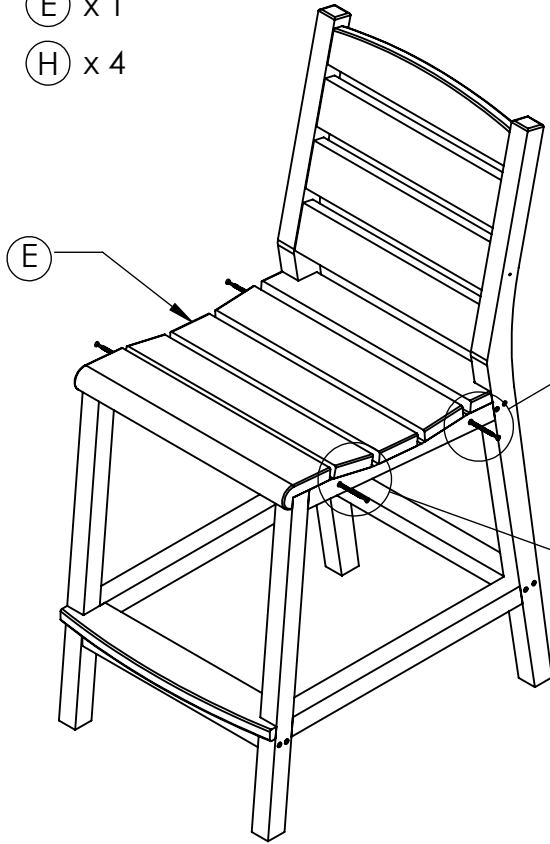
**4** (H) x 2



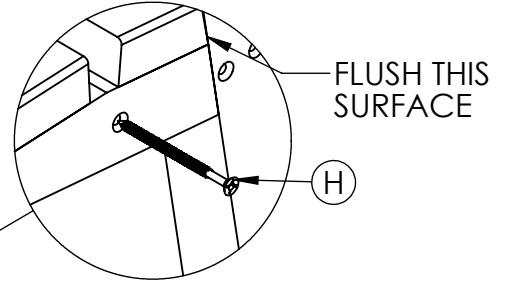
# 5

ⓔ x 1

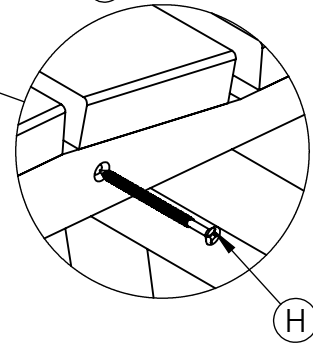
ⓓ x 4



**STEP 5.1:**  
PUSH ⓔ DOWN AND FASTEN ⓓ



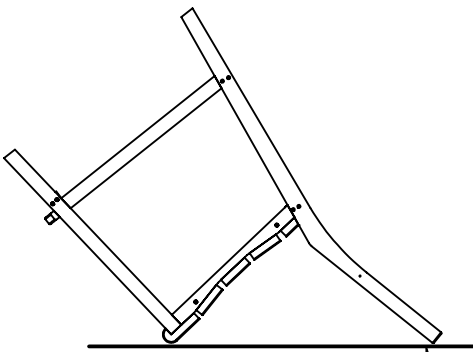
**STEP 5.2:**  
PUSH ⓔ DOWN AND FASTEN ⓓ



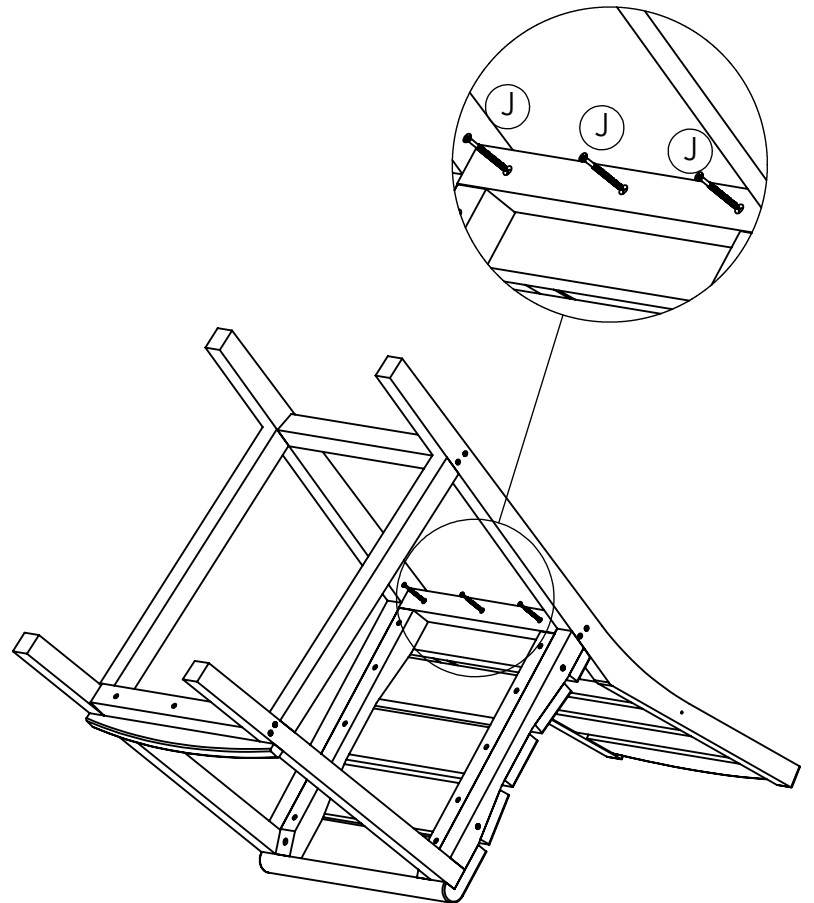
NOTE: REPEAT SAME FOR OTHER SIDE.

# 6

ⓐ x 3



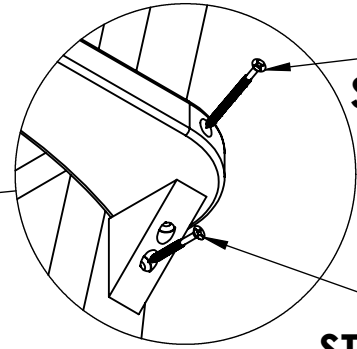
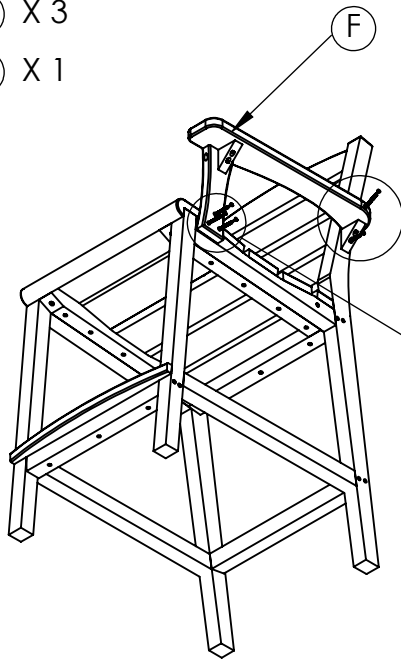
PLACE ON CLEAN/SMOOTH  
SURFACE TO AVOID SCRATCH



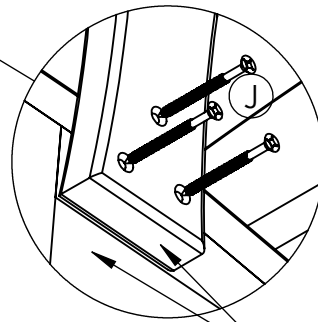
# 7

- (F) X 1
- (H) X 1
- (J) X 3
- (K) X 1

ALIGN (H) WITH PECK MARK ON THE SIDES OF (A) FOR ACCURATE ARM LOCATION.



**STEP 7.1:**



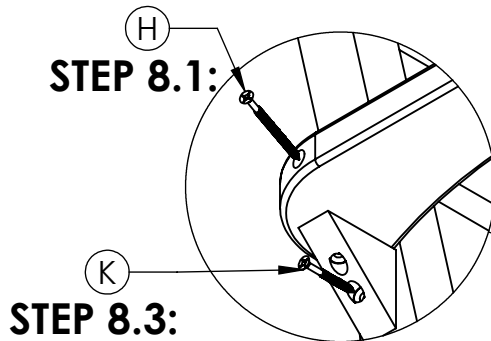
**STEP 7.2:**

FLUSH HERE

# 8

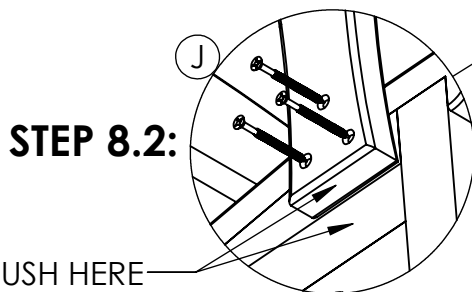
- (G) X 1
- (H) X 1
- (J) X 3
- (K) X 1

ALIGN (H) WITH PECK MARK ON THE SIDES OF (A) FOR ACCURATE ARM LOCATION.

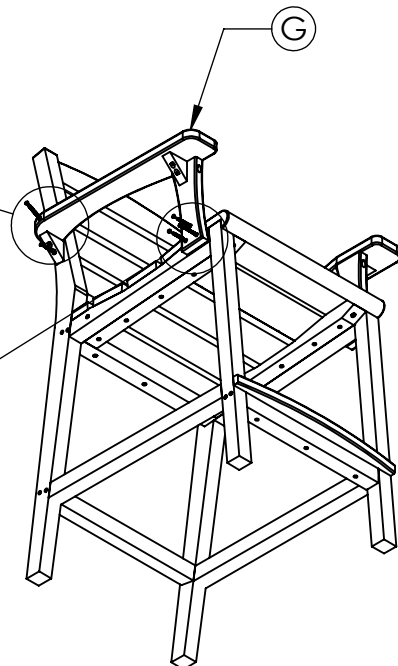


**STEP 8.3:**

(K)



FLUSH HERE



(G)

