

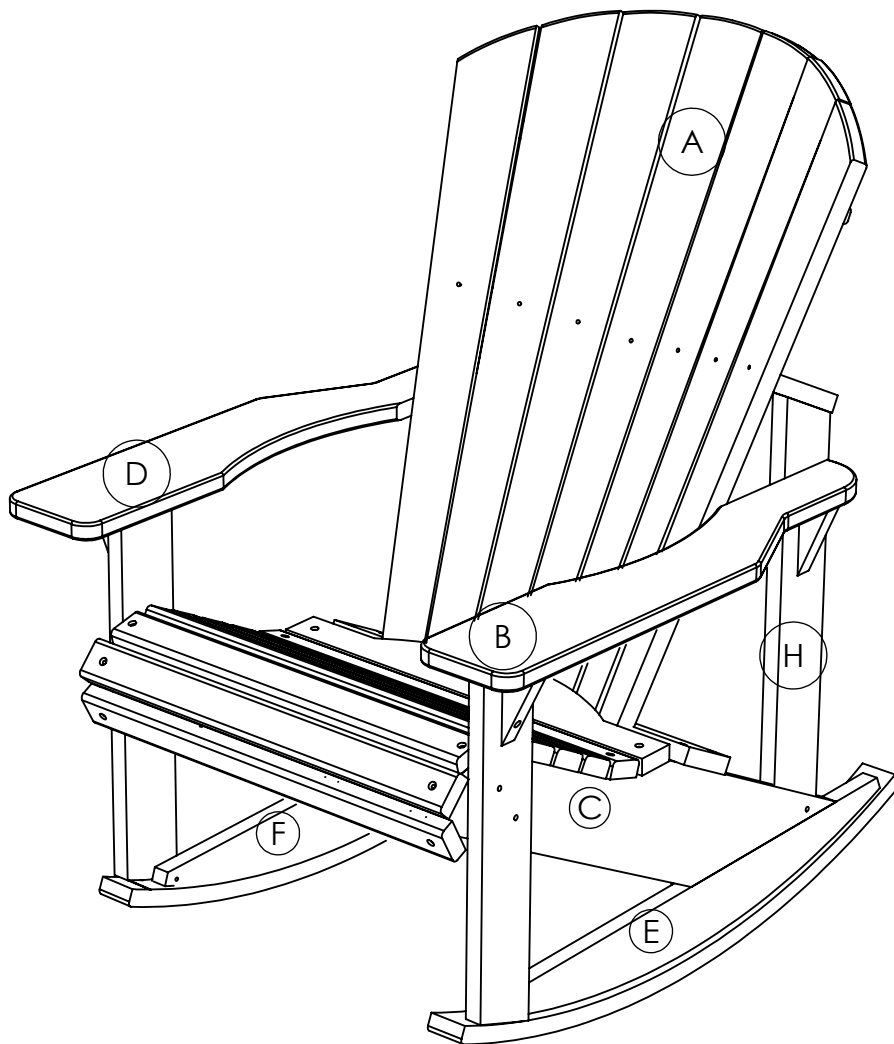


# C.R. PLASTIC PRODUCTS



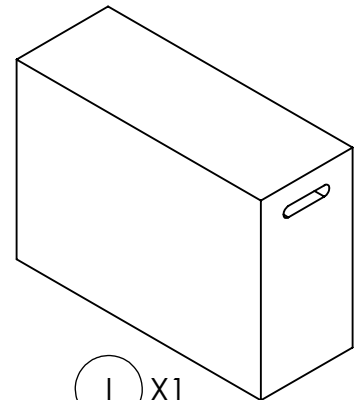
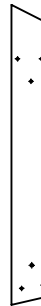
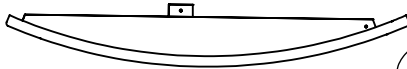
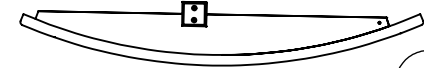
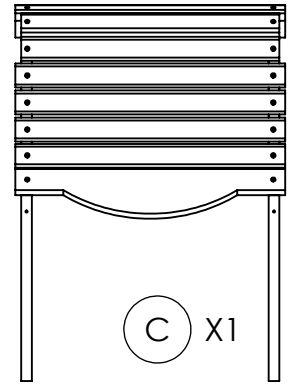
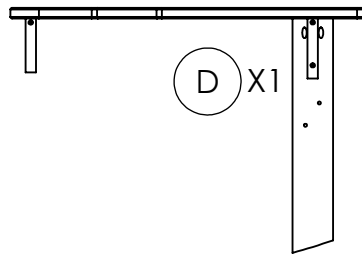
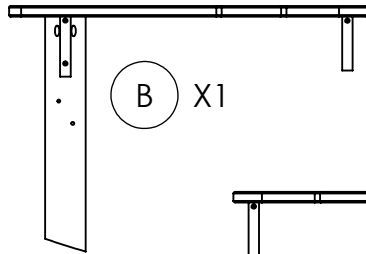
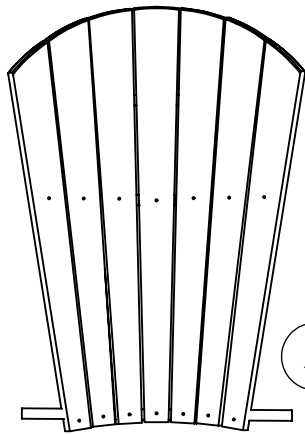
*we create* sustainable outdoor living

C04 - Adirondack Rocker

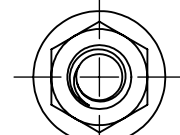
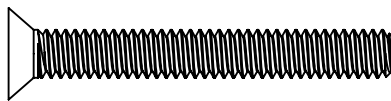


# C.R. PLASTIC PRODUCTS

*we create* sustainable outdoor living



#2



800.490.1283

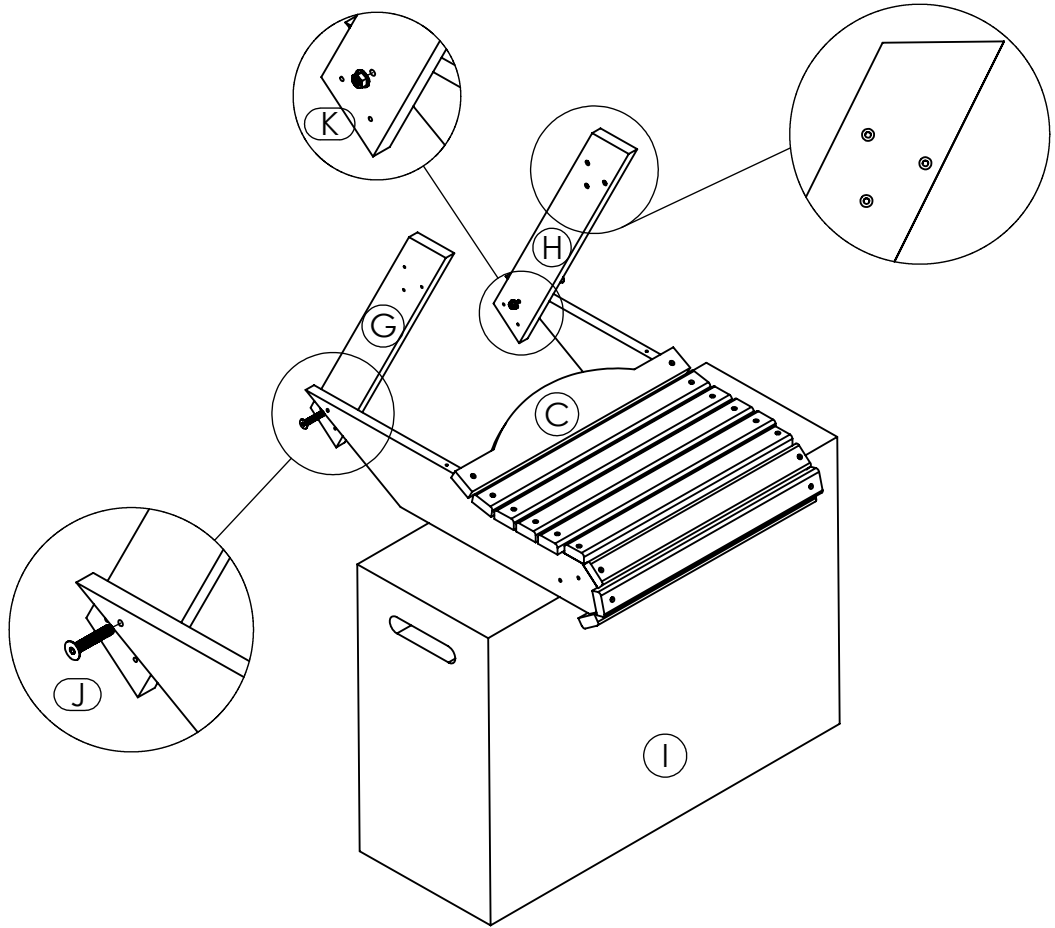


[www.crpproducts.com](http://www.crpproducts.com)

FAX 519.271.8544

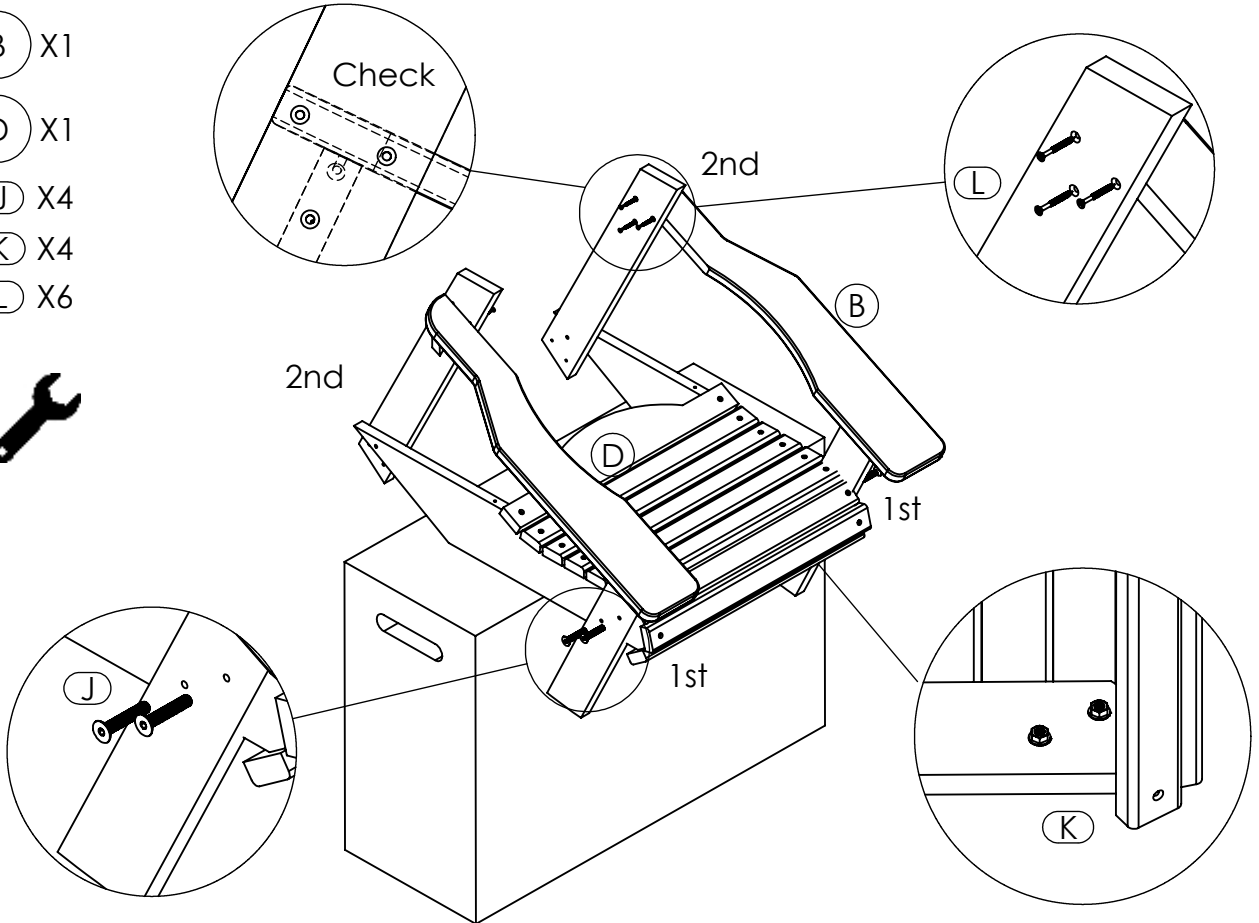
# 1

- (C) X1
- (G) X1
- (H) X1
- (I) X1
- (J) X2
- (K) X2



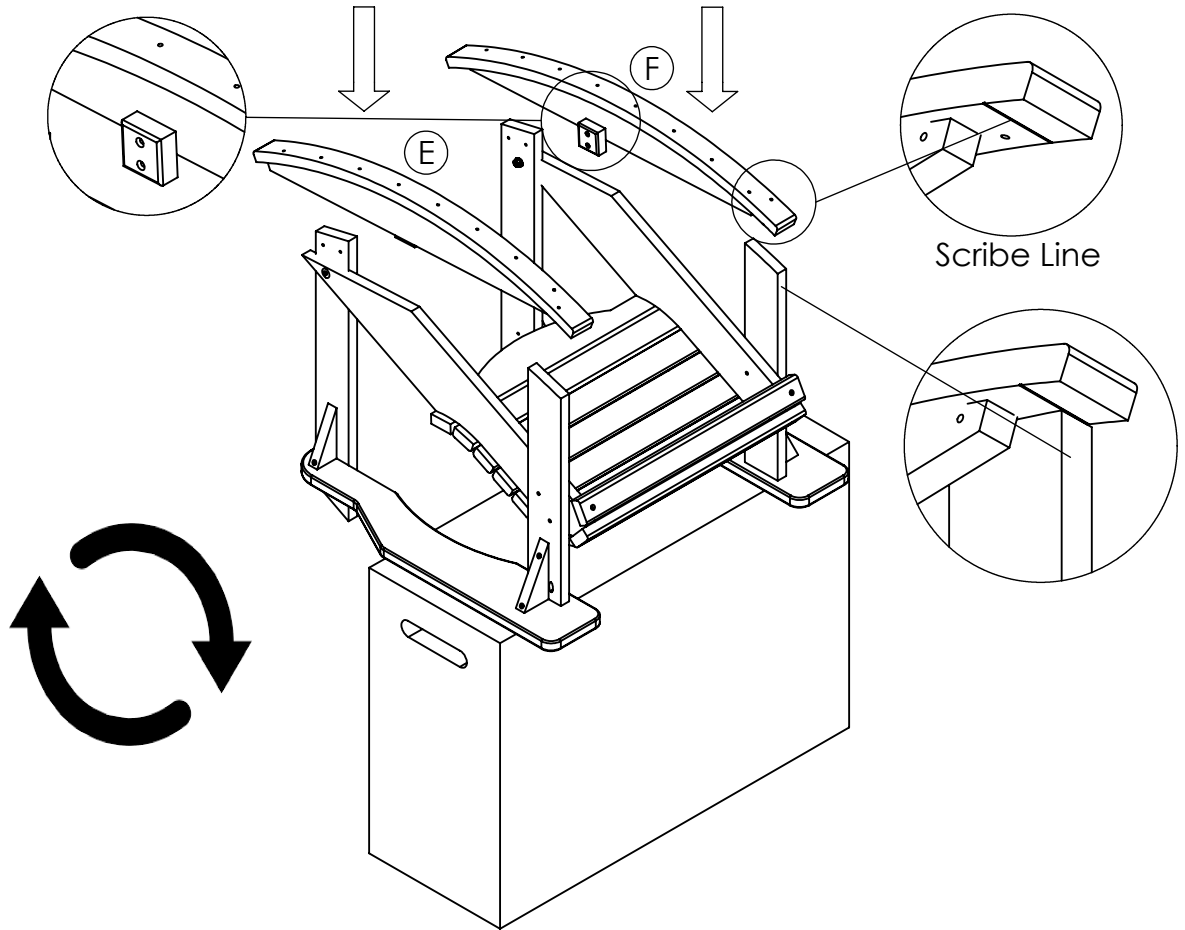
# 2

- (B) X1
- (D) X1
- (J) X4
- (K) X4
- (L) X6



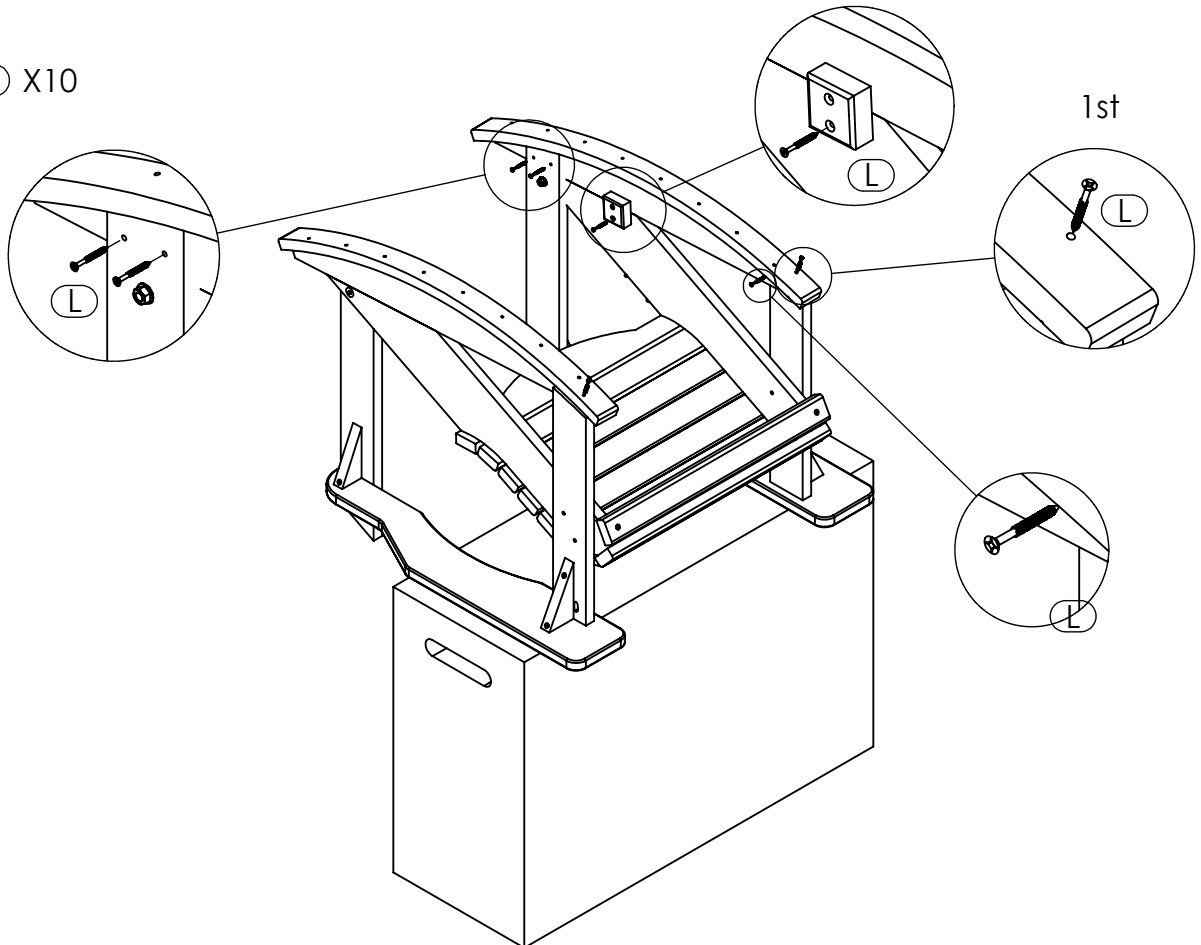
# 3

(E) X1  
(F) X1



# 4

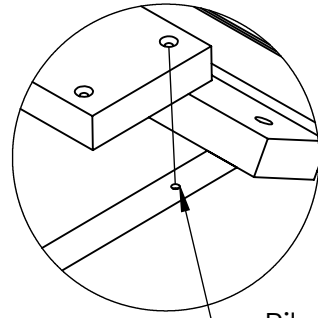
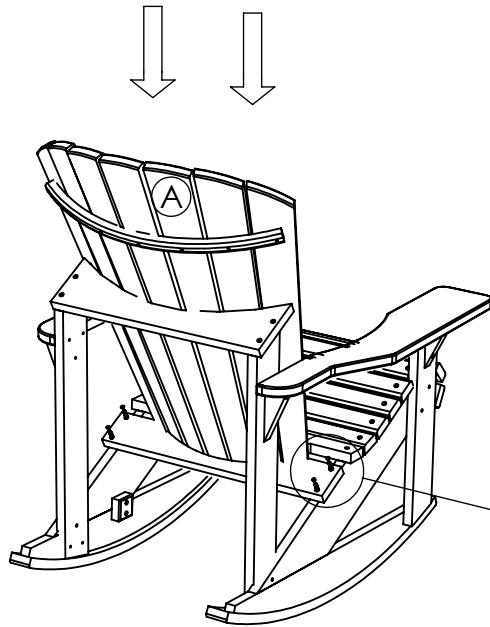
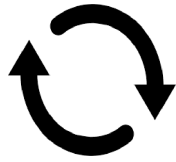
(L) X10



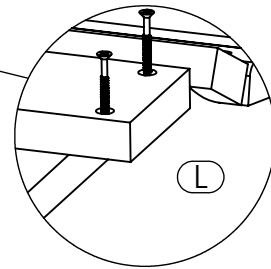
# 5

(A) X1

(L) X4



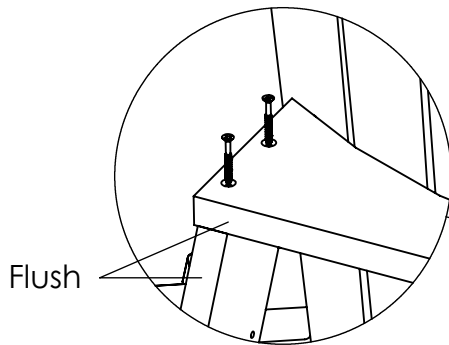
Pilot Hole



(L)

# 6

(L) X4



Flush

