

The logo for C.R. PLASTIC PRODUCTS features the company name in a bold, black, sans-serif font. The text is flanked by two identical decorative elements, each consisting of five horizontal bars in the following color sequence from top to bottom: light blue, dark blue, black, red, and yellow.

we create sustainable outdoor living

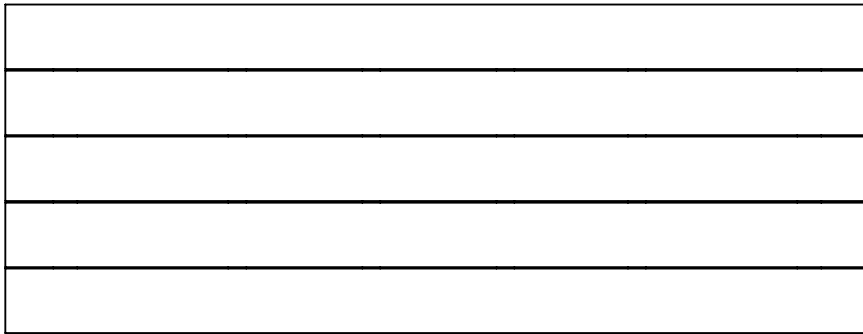


T202

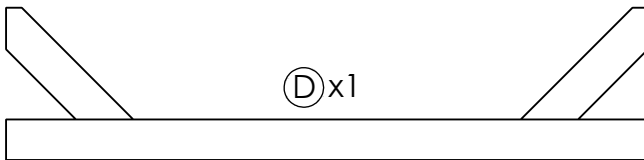
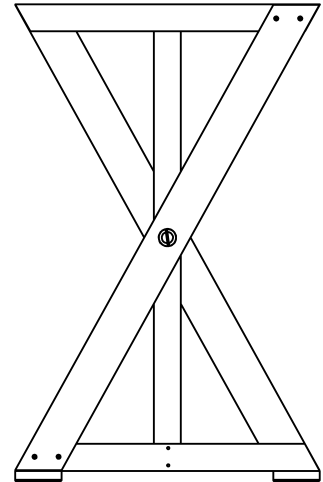
C.R. PLASTIC PRODUCTS

we create sustainable outdoor living

(A) x1



(B) x2



(D) x1

(C) x2



#2



1 1/2" / 38 mm



(E) x2

2 1/2" / 63 mm



(G) x6

3" / 76 mm



(F) x24



800.490.1283

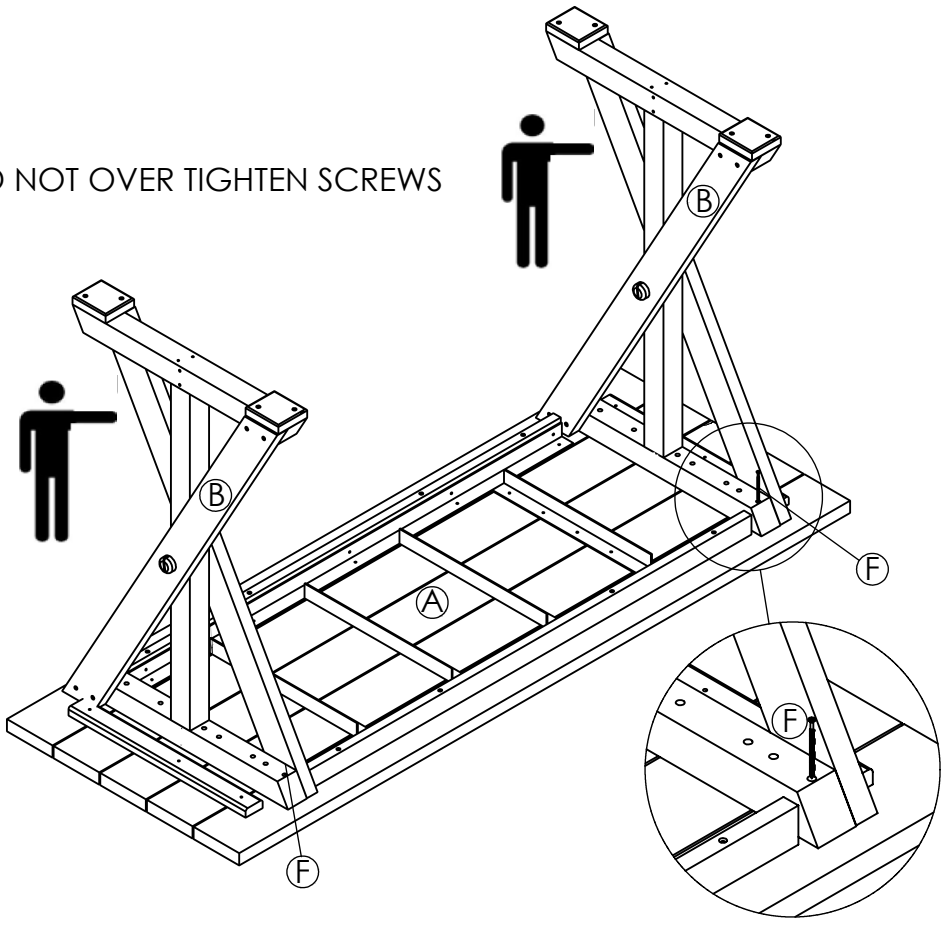


crpproducts.com

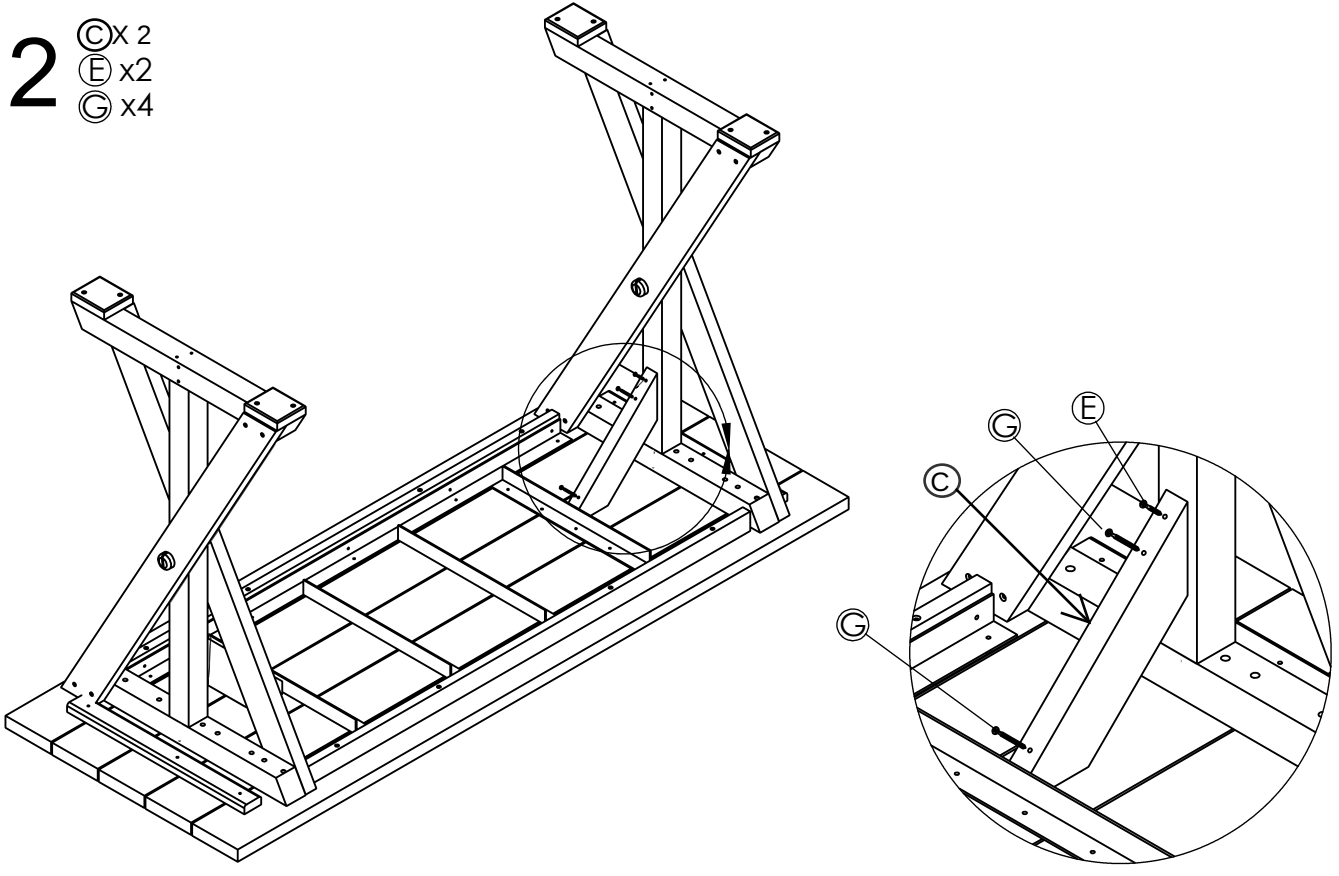
FAX 519.271.8544

- 1 (A) x1
- (B) x2
- (F) x20

! DO NOT OVER TIGHTEN SCREWS



- 2 (C) x 2
- (E) x2
- (G) x4



3

- ⓓx1
- ⓖx2
- ⓕx4

