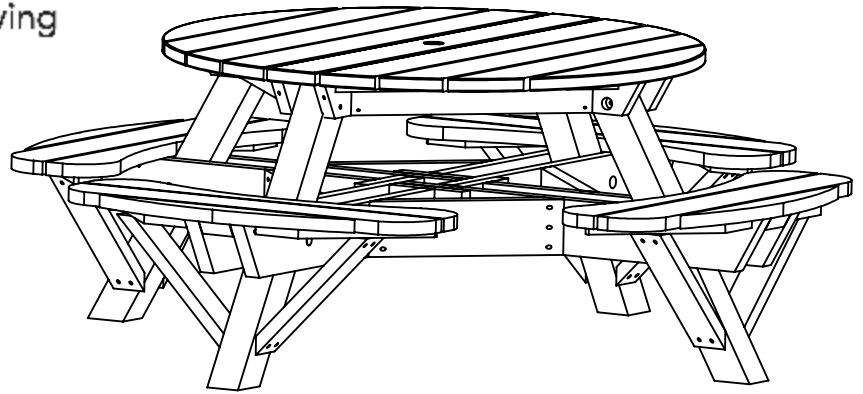




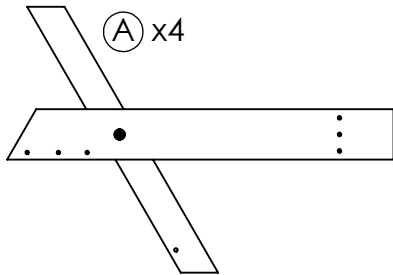
*we create* sustainable outdoor living

# T50

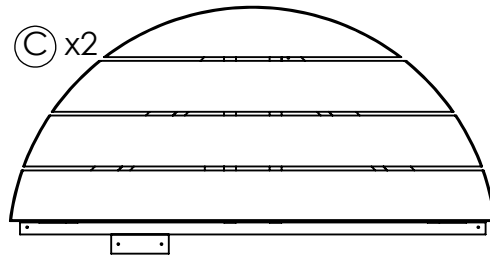
## 51" ROUND PICNIC TABLE



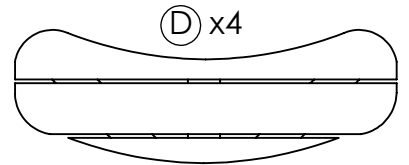
### BOX INCLUDES:



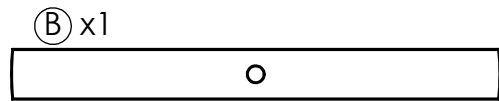
(A) x4



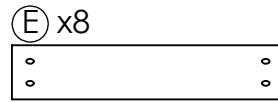
(C) x2



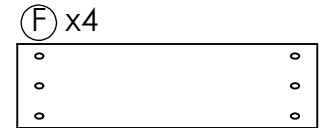
(D) x4



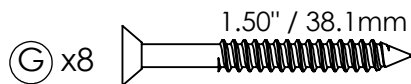
(B) x1



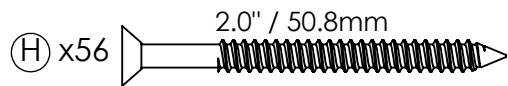
(E) x8



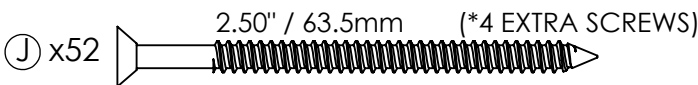
(F) x4



(G) x8

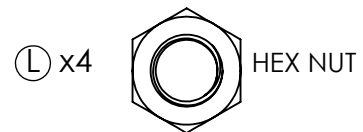


(H) x56



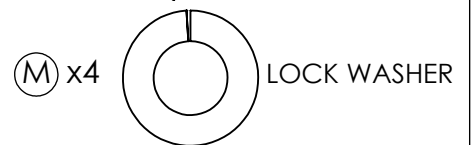
(J) x52

(\*4 EXTRA SCREWS)



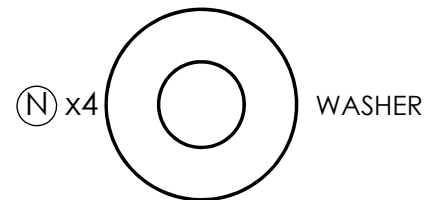
(L) x4

HEX NUT



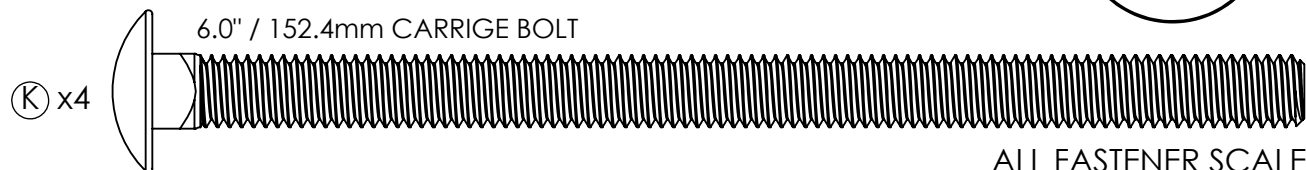
(M) x4

LOCK WASHER



(N) x4

WASHER



(K) x4

6.0" / 152.4mm CARRIGE BOLT

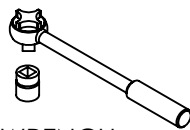
ALL FASTENER SCALE TO 1:1



#2



6" PHILLIPS DRIVER BIT

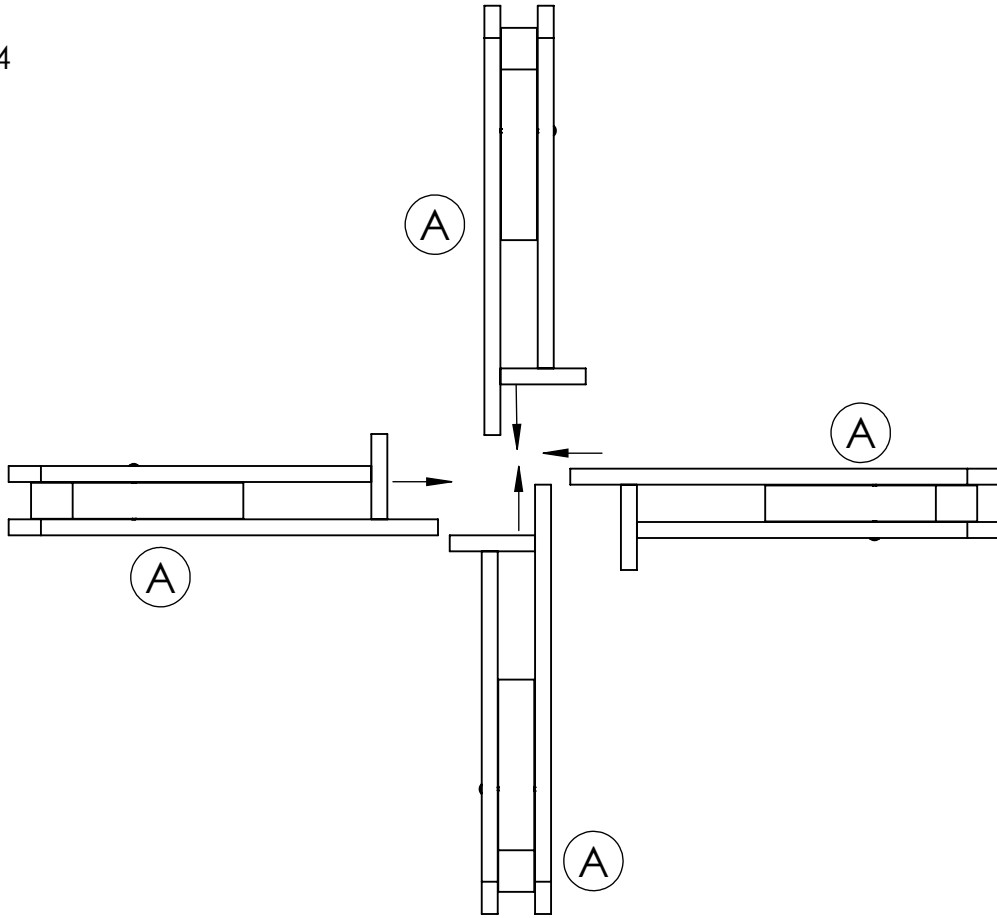


9/16"(14.2875mm) SOCKET / WRENCH

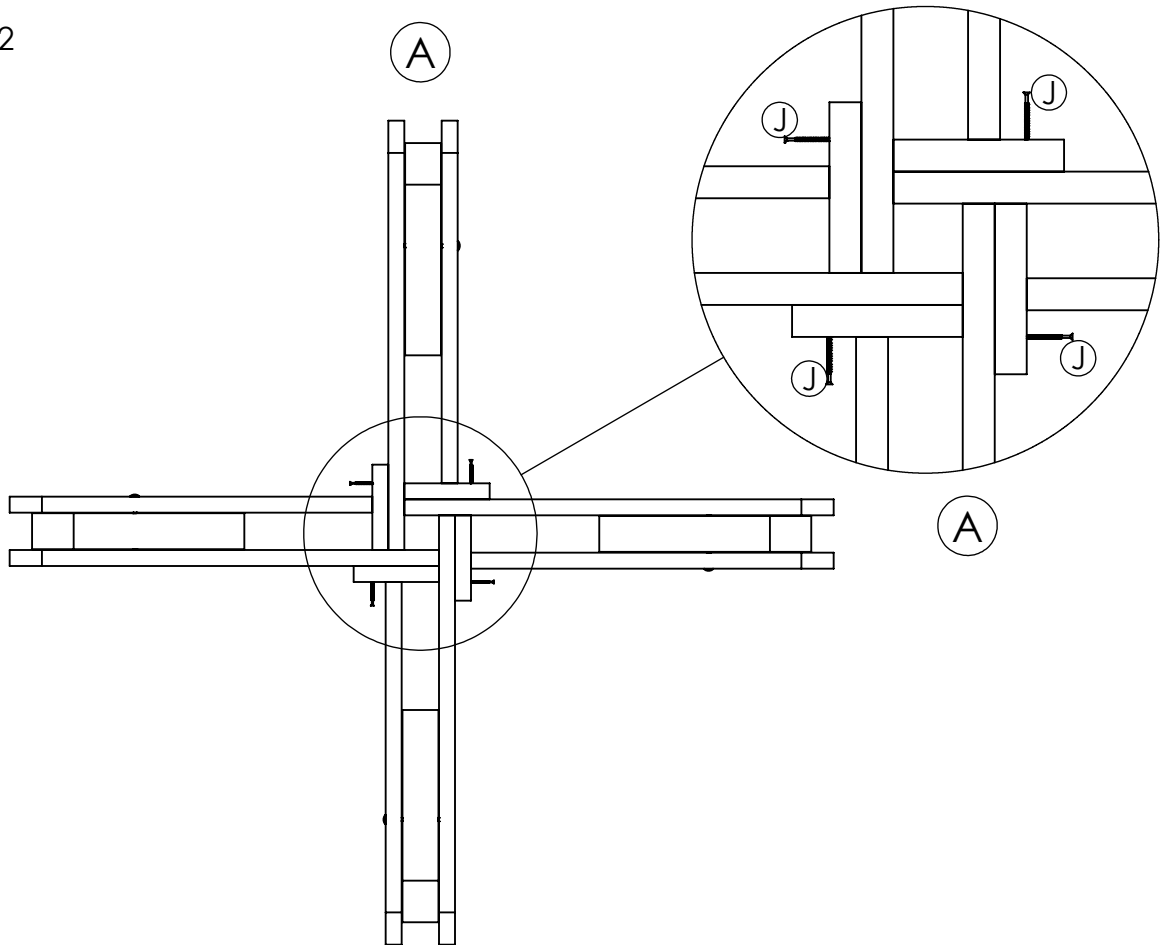


[www.crpproducts.com](http://www.crpproducts.com)

**1** (A) x4

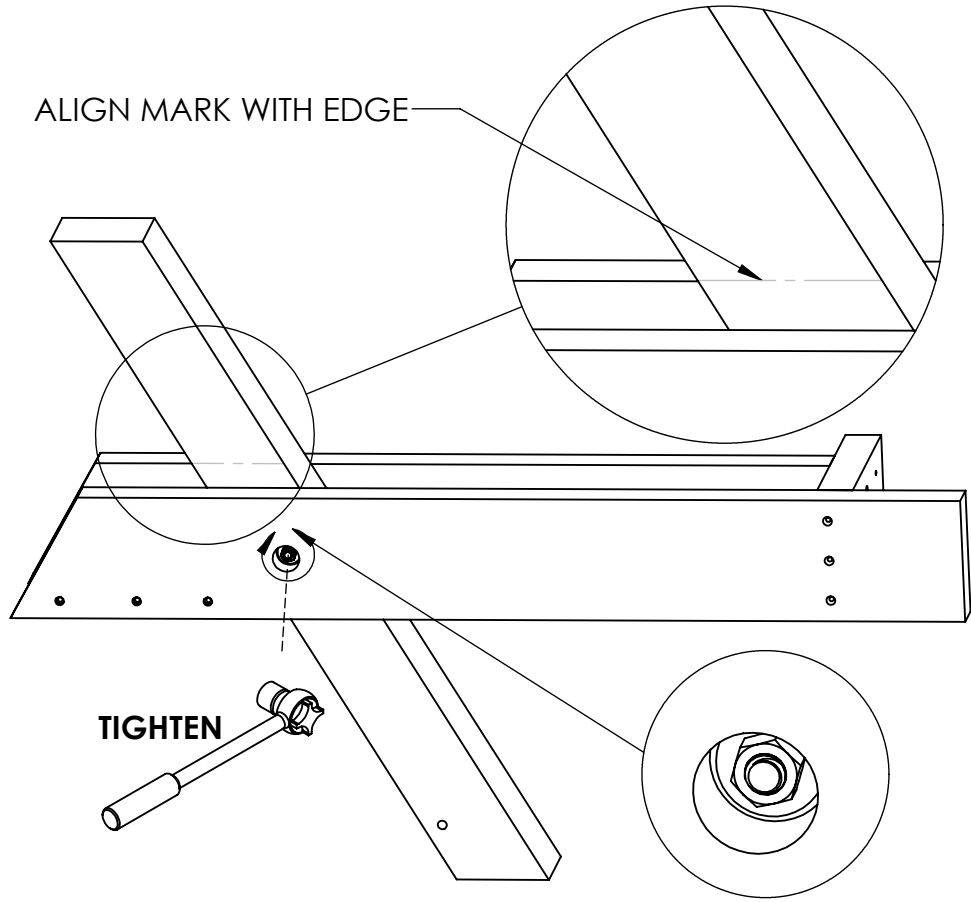


**2** (J) x12



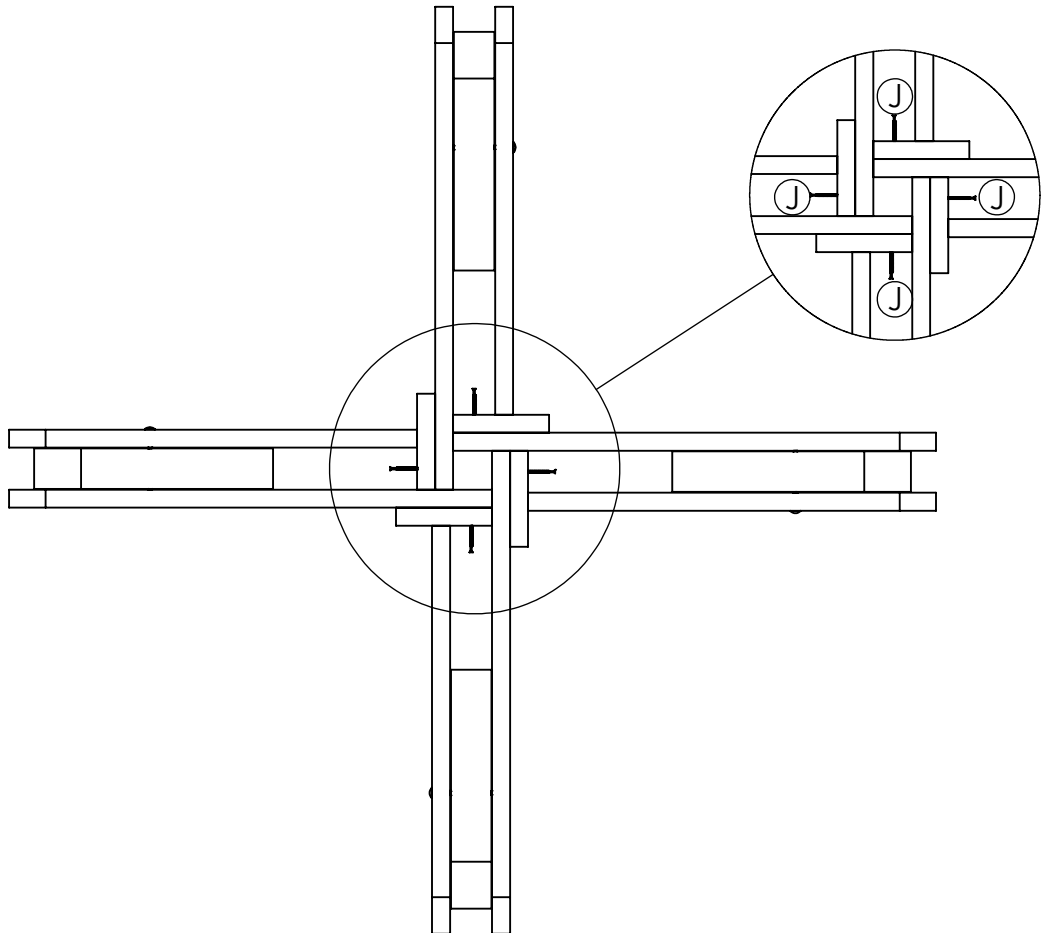
# 3

ALIGN MARK WITH EDGE

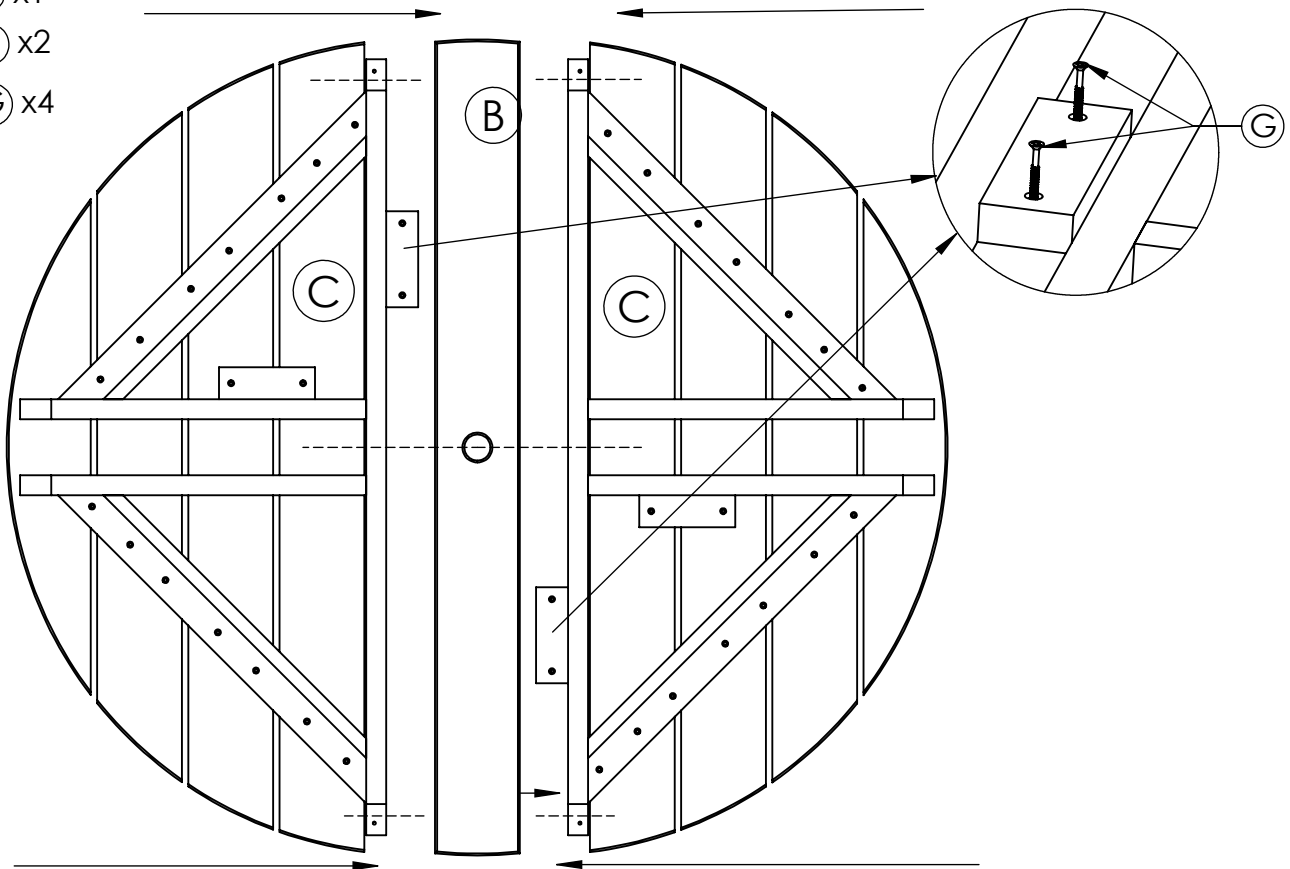


# 4

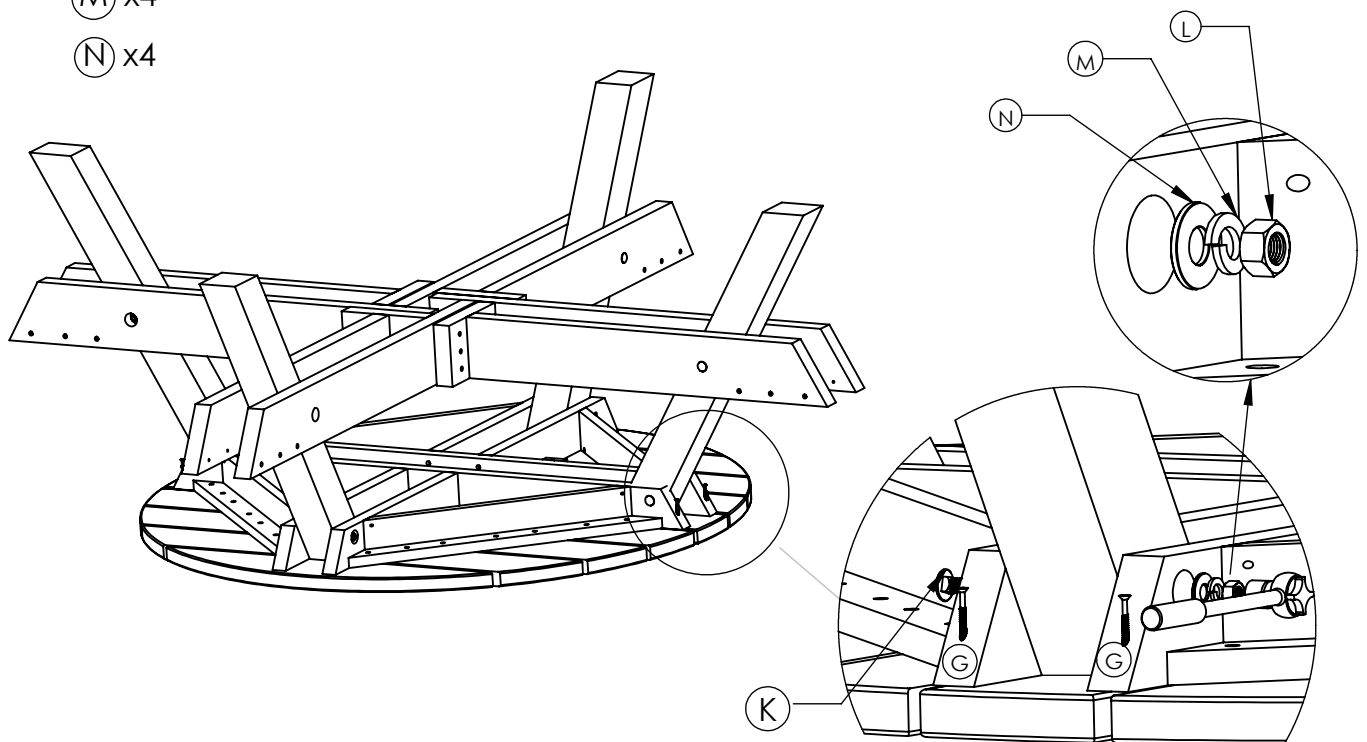
ⓐ x12



**5** (B) x1  
(C) x2  
(G) x4

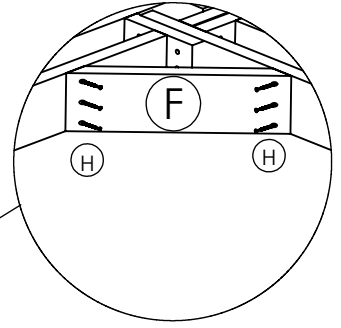
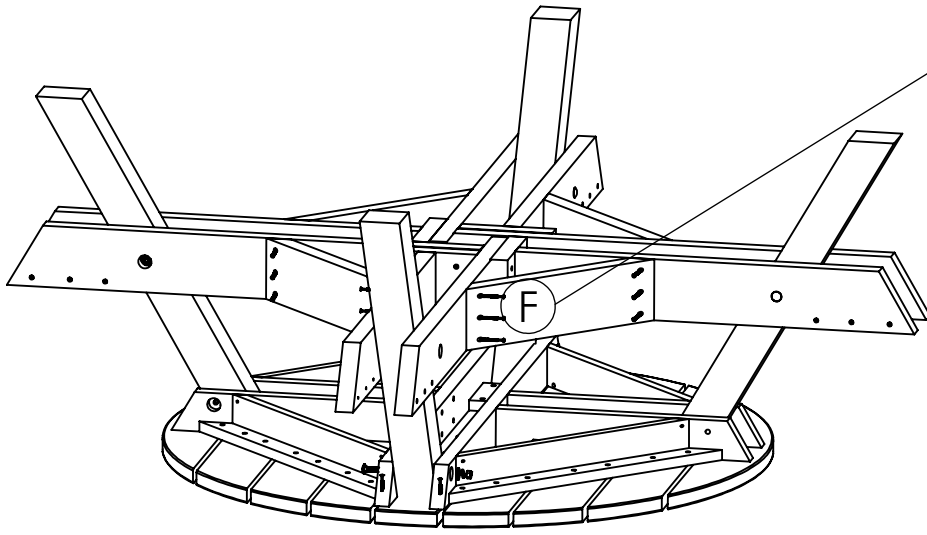


**6** (G) x4  
(K) x4  
(L) x4  
(M) x4  
(N) x4



# 7

- Ⓜ x24
- Ⓧ x4



# 8

- Ⓧ x4
- Ⓧ x8
- Ⓧ x24
- Ⓜ x32



KEEP POINT OF Ⓧ NOT OVERHANG

