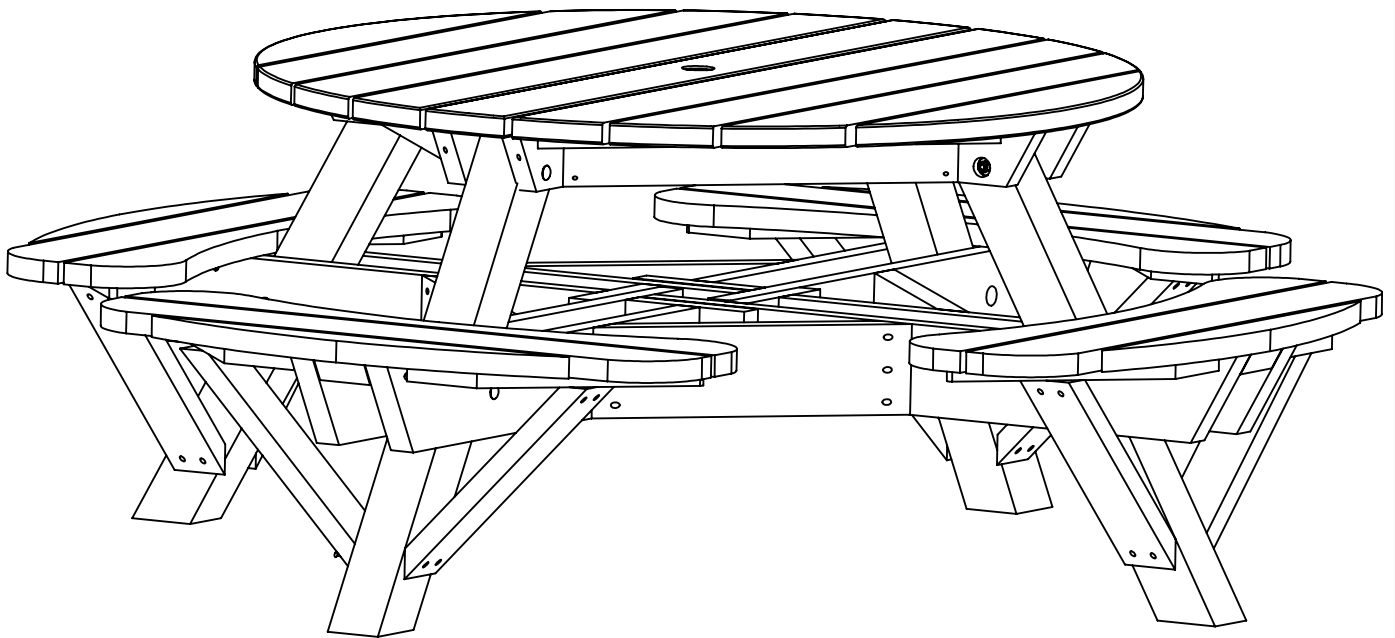


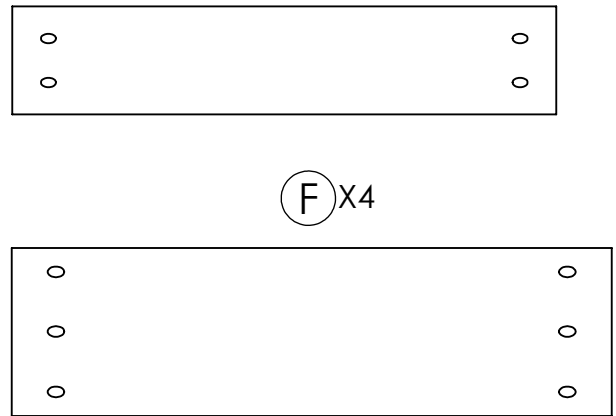
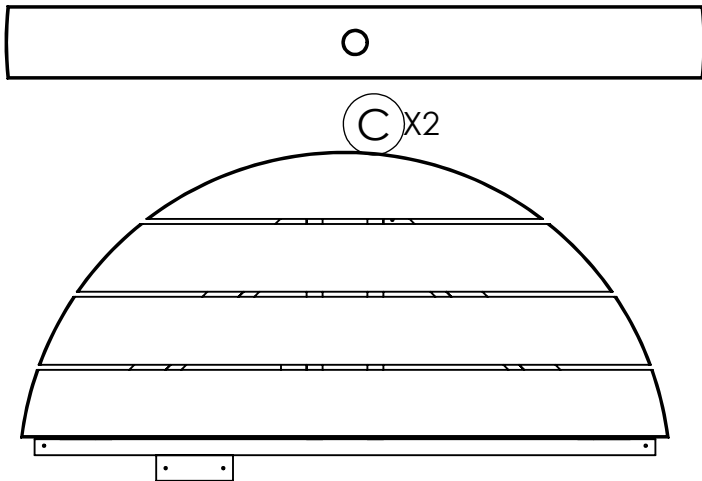
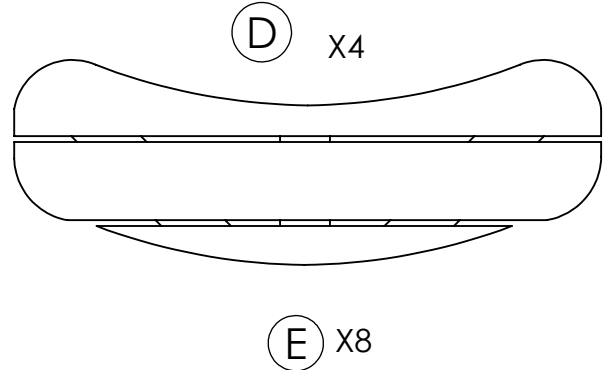
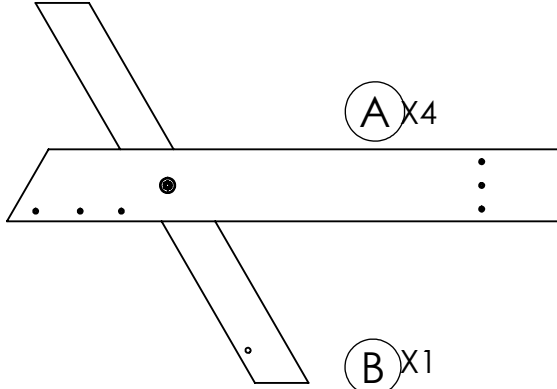
 C.R. PLASTIC
PRODUCTS

T50

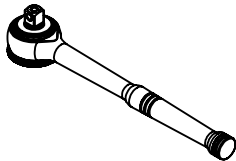


C.R. PLASTIC PRODUCTS

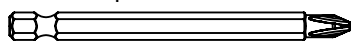
T50



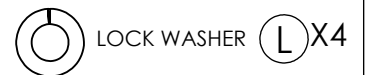
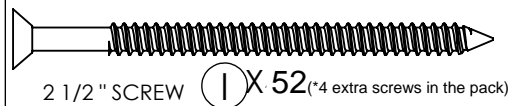
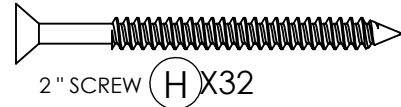
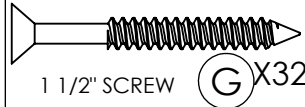
#2



6" Philips Driver Bit



9/16"(14.2875) SOCKET / WRENCH/PHILLIPS/
LONG ROBERTSON



BOLTS, HEX NUT, LOCK WASHER, WASHER ARE NOT PROPERLY SCALED



800.490.1283

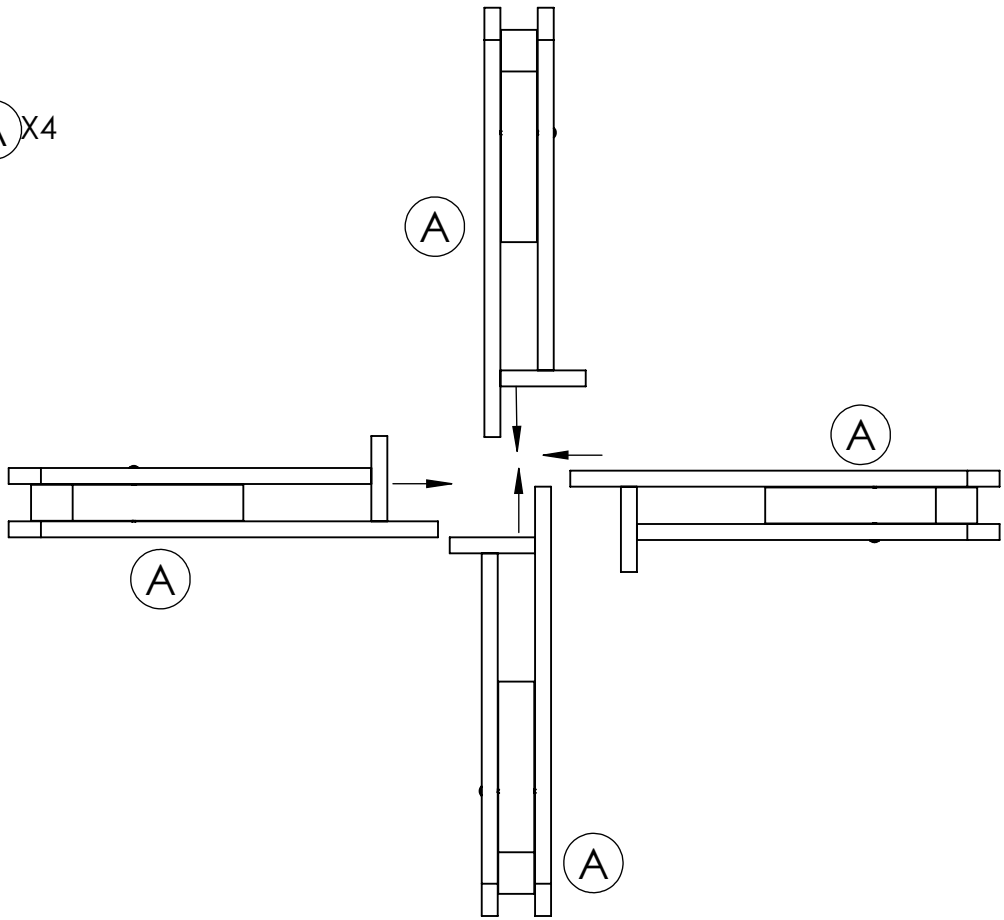
FAX 519.271.8544



crpproducts.com

1

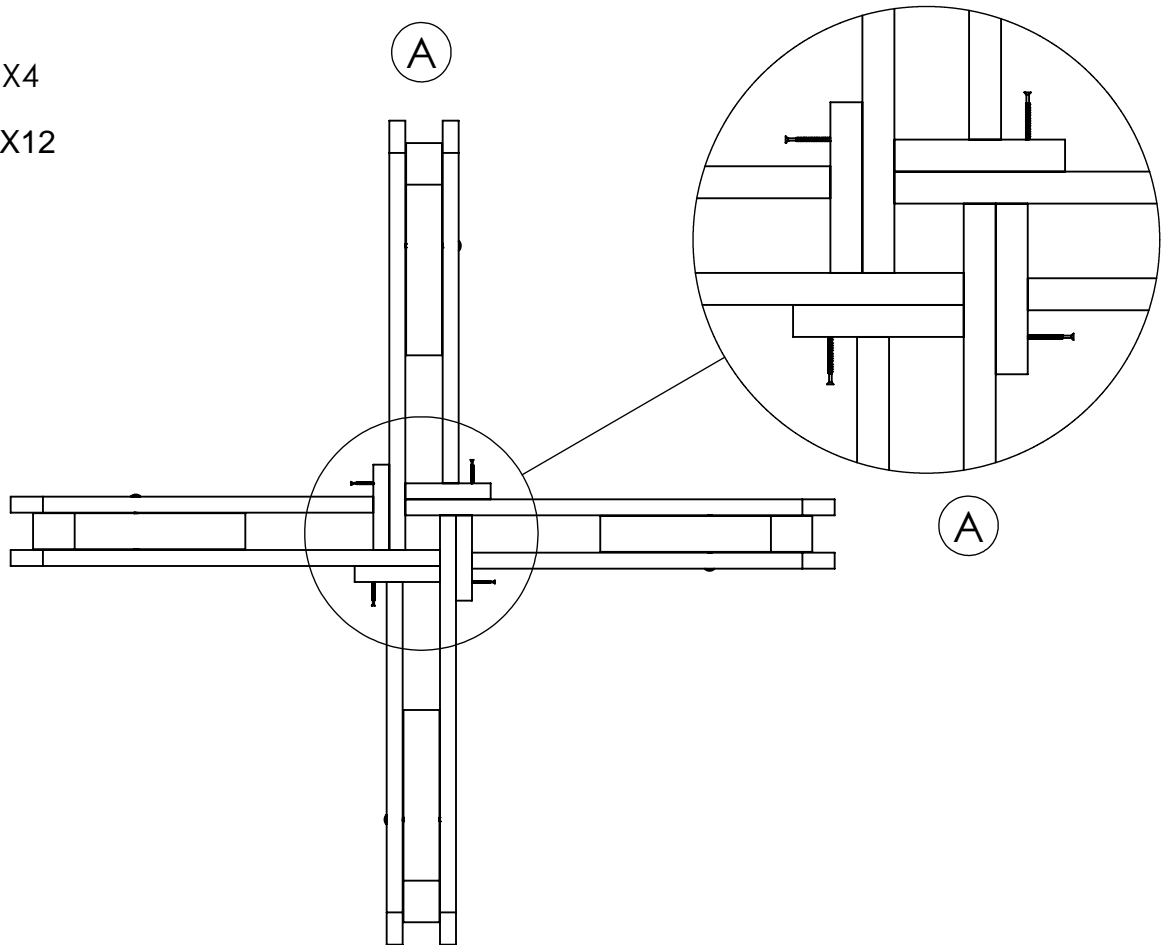
(A) X4



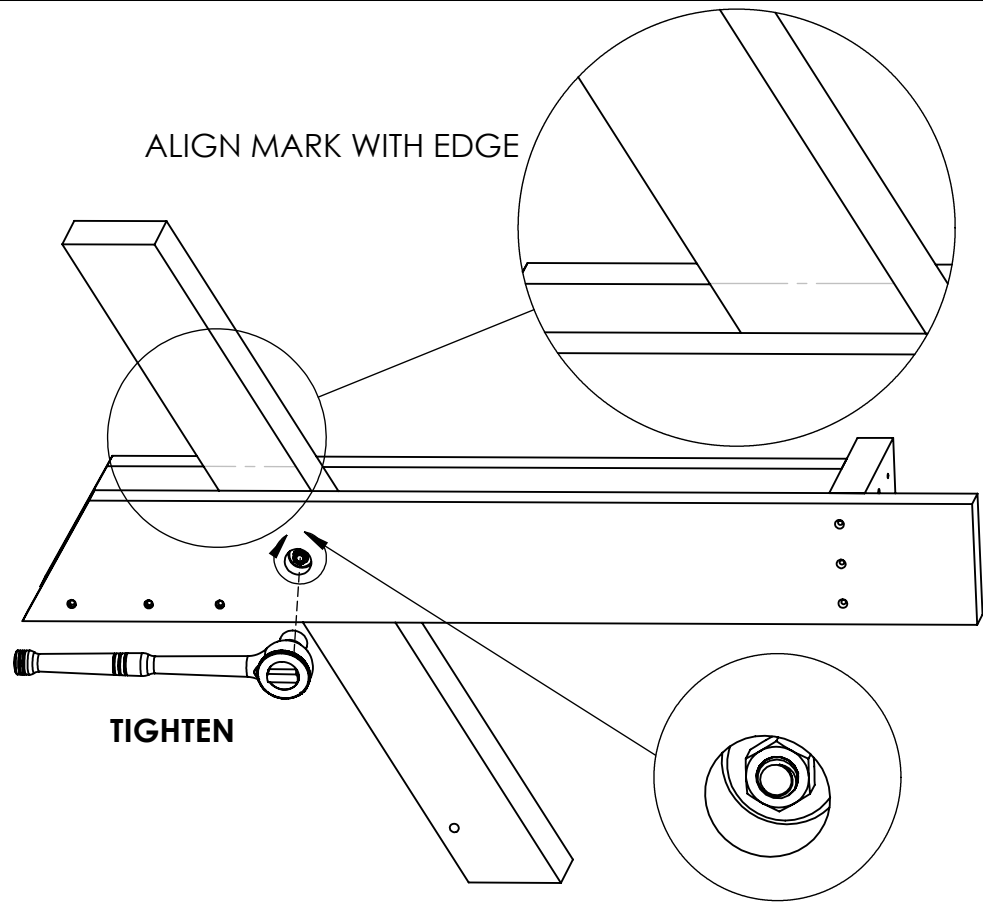
2

(A) X4

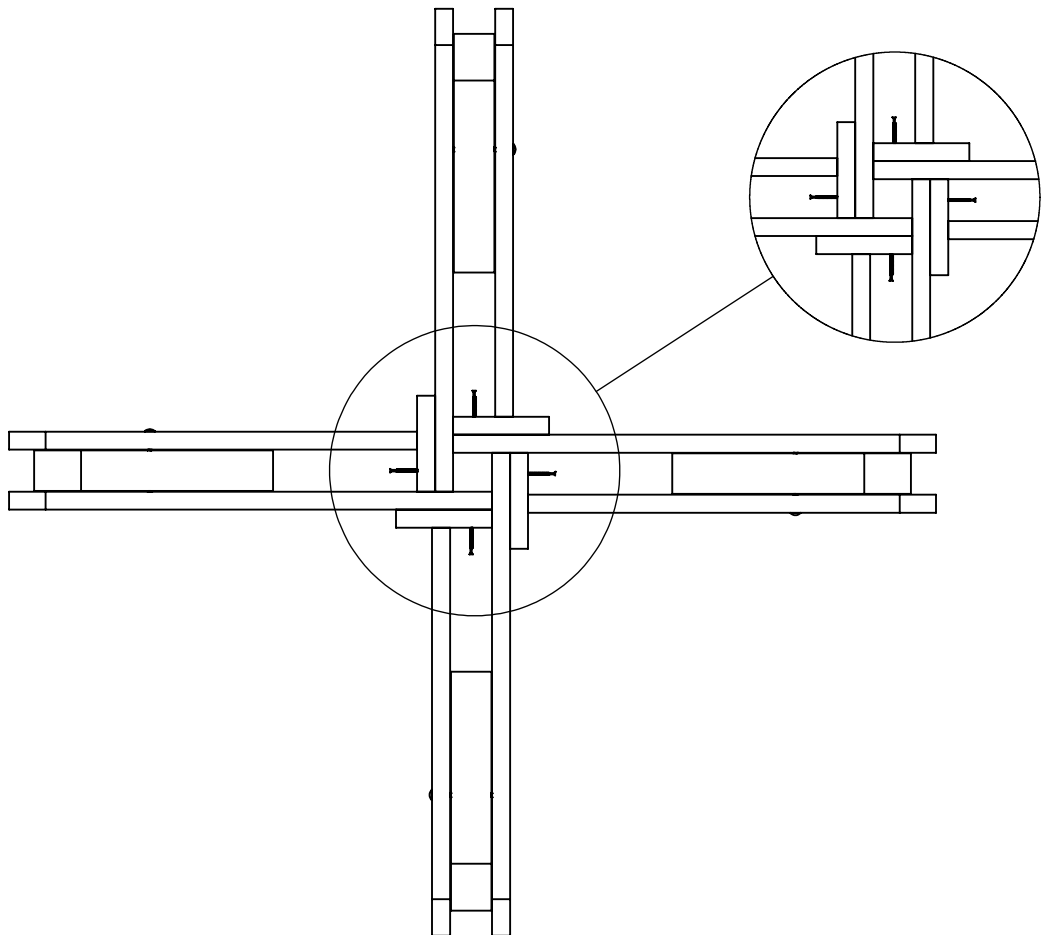
(I) X12



3 (A) X4



4 (I) X12

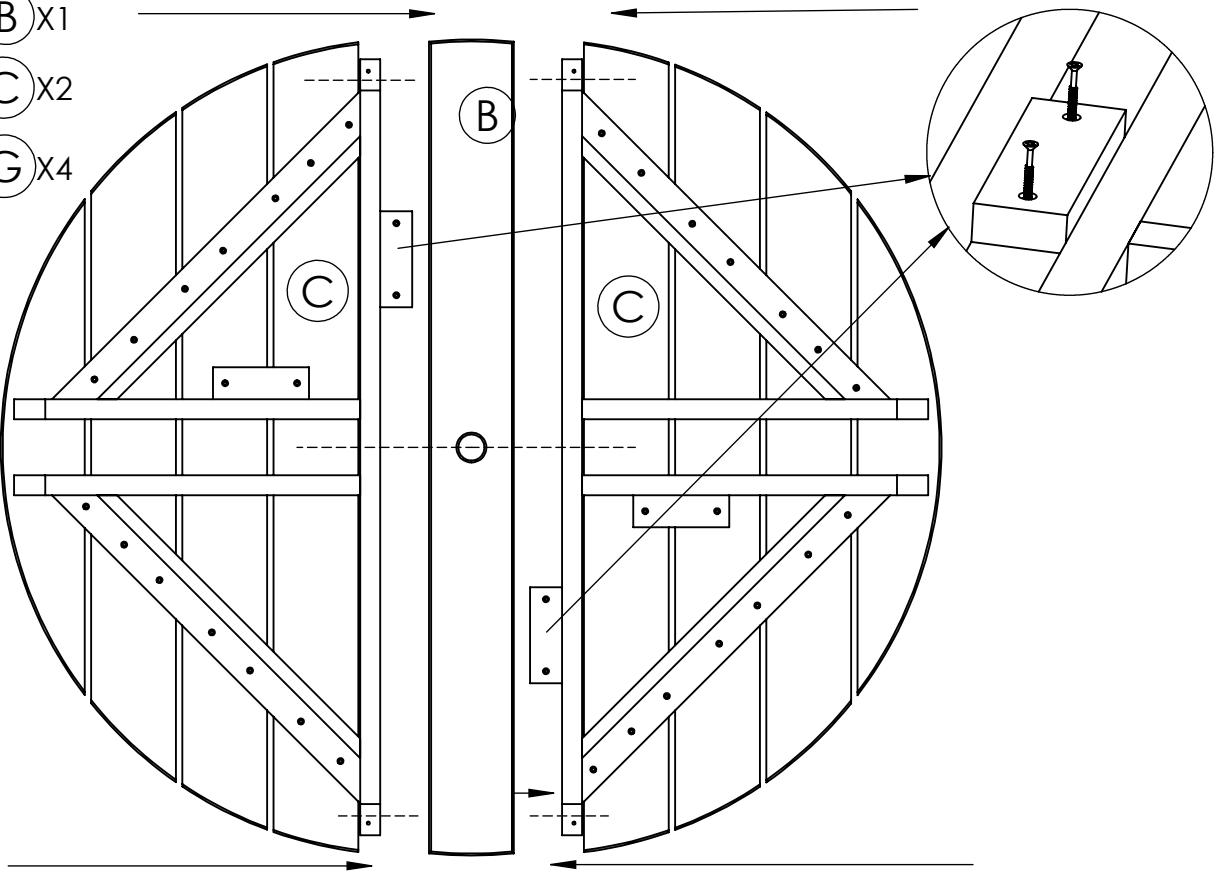


5

(B) X1

(C) X2

(G) X4



6

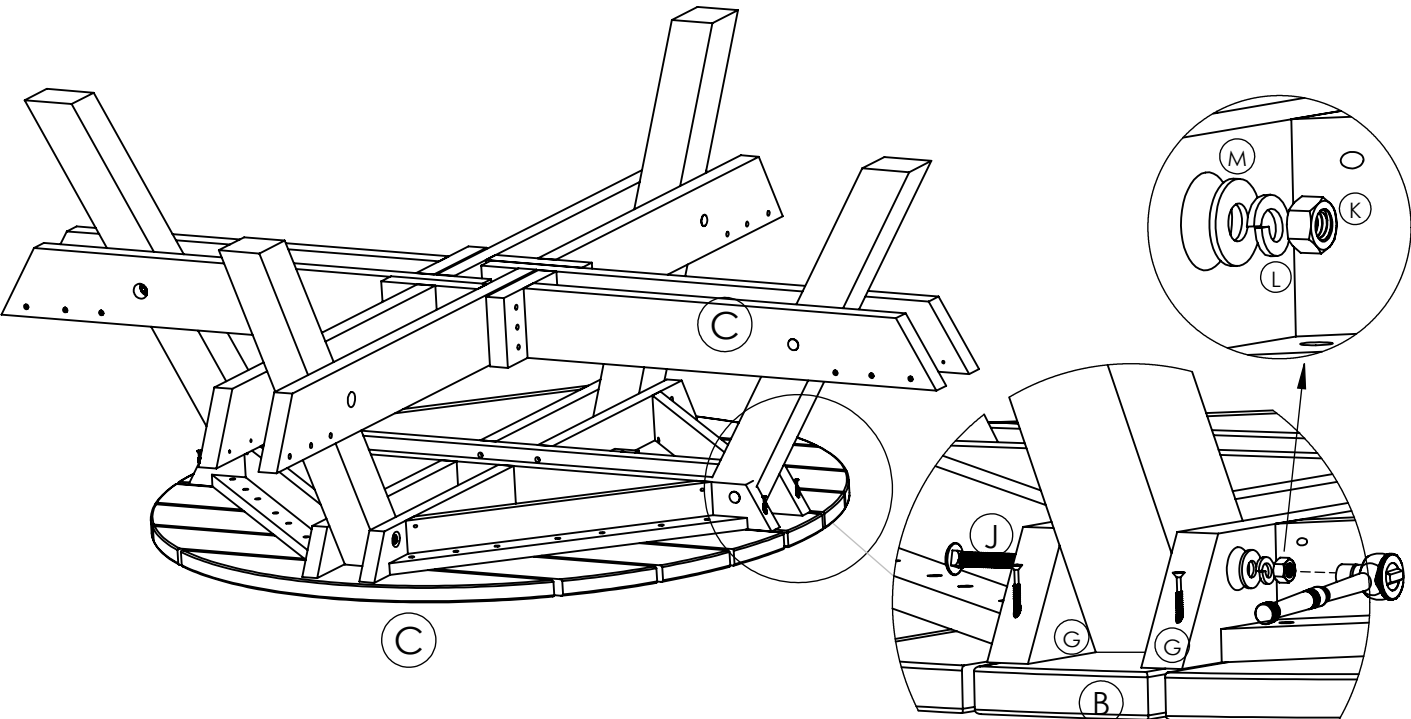
(G) X4

(J) X4

(K) X4

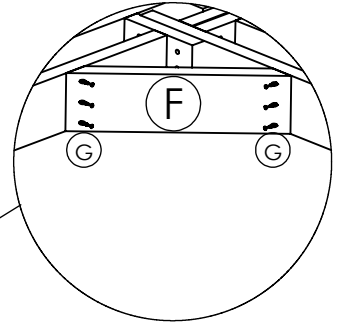
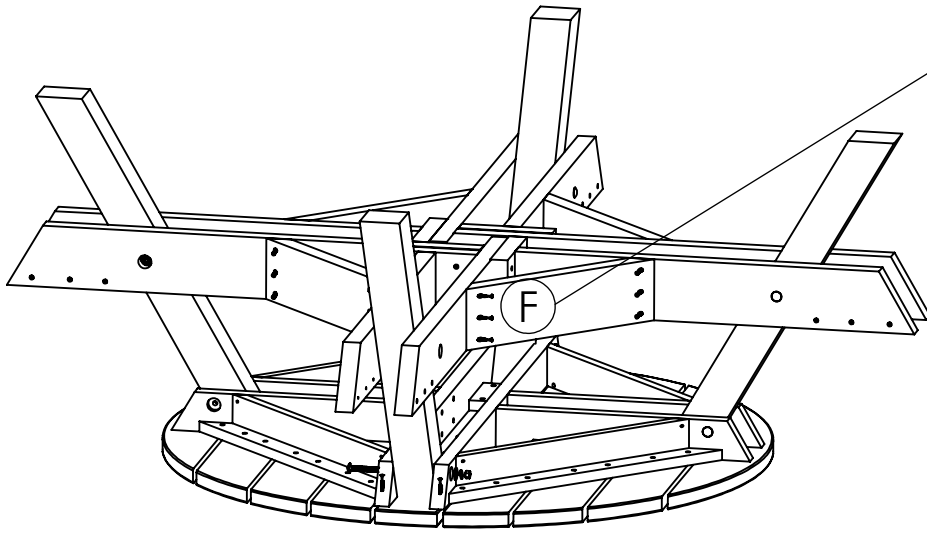
(L) X4

(M) X4



7

- ⓐ X24
- ⓑ X4



8



- Ⓓ X4
- Ⓔ X8
- ⓓ X24

- ⓓ X32

