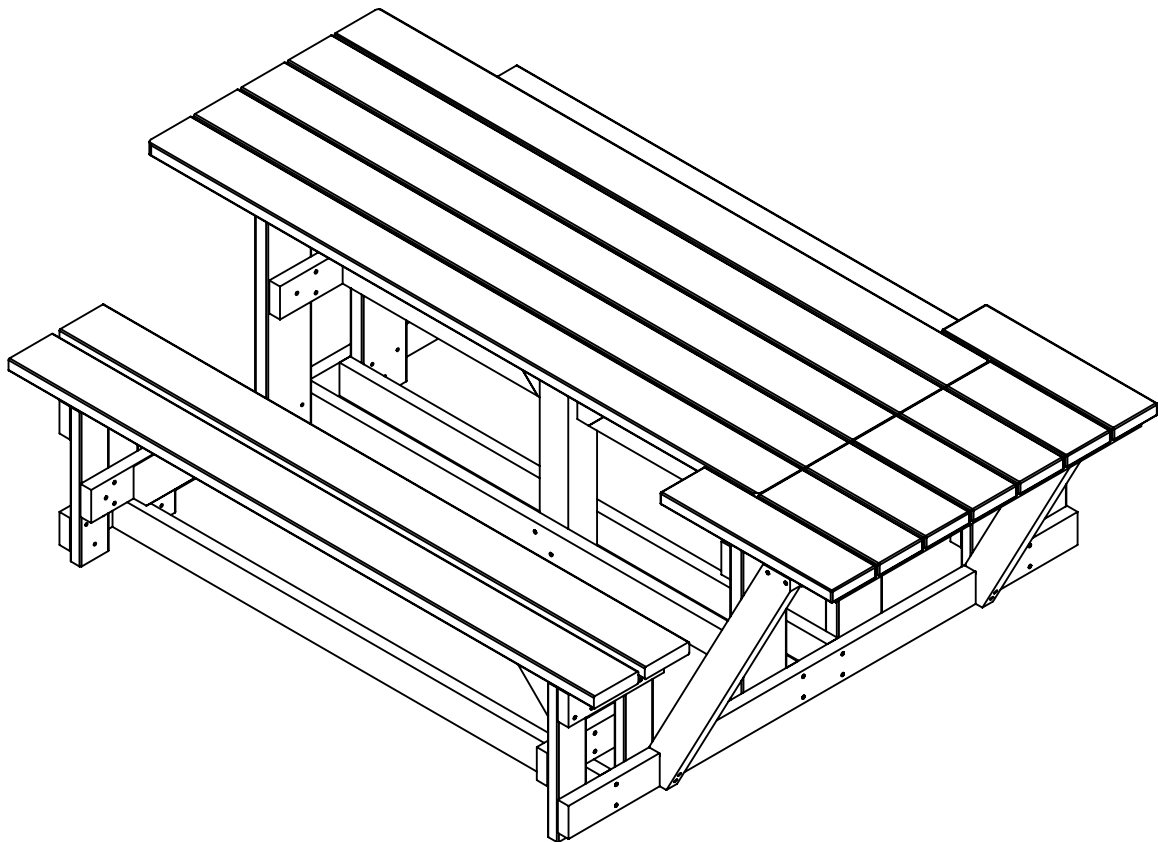


C.R. PLASTIC PRODUCTS

we create sustainable outdoor living

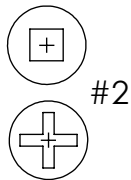
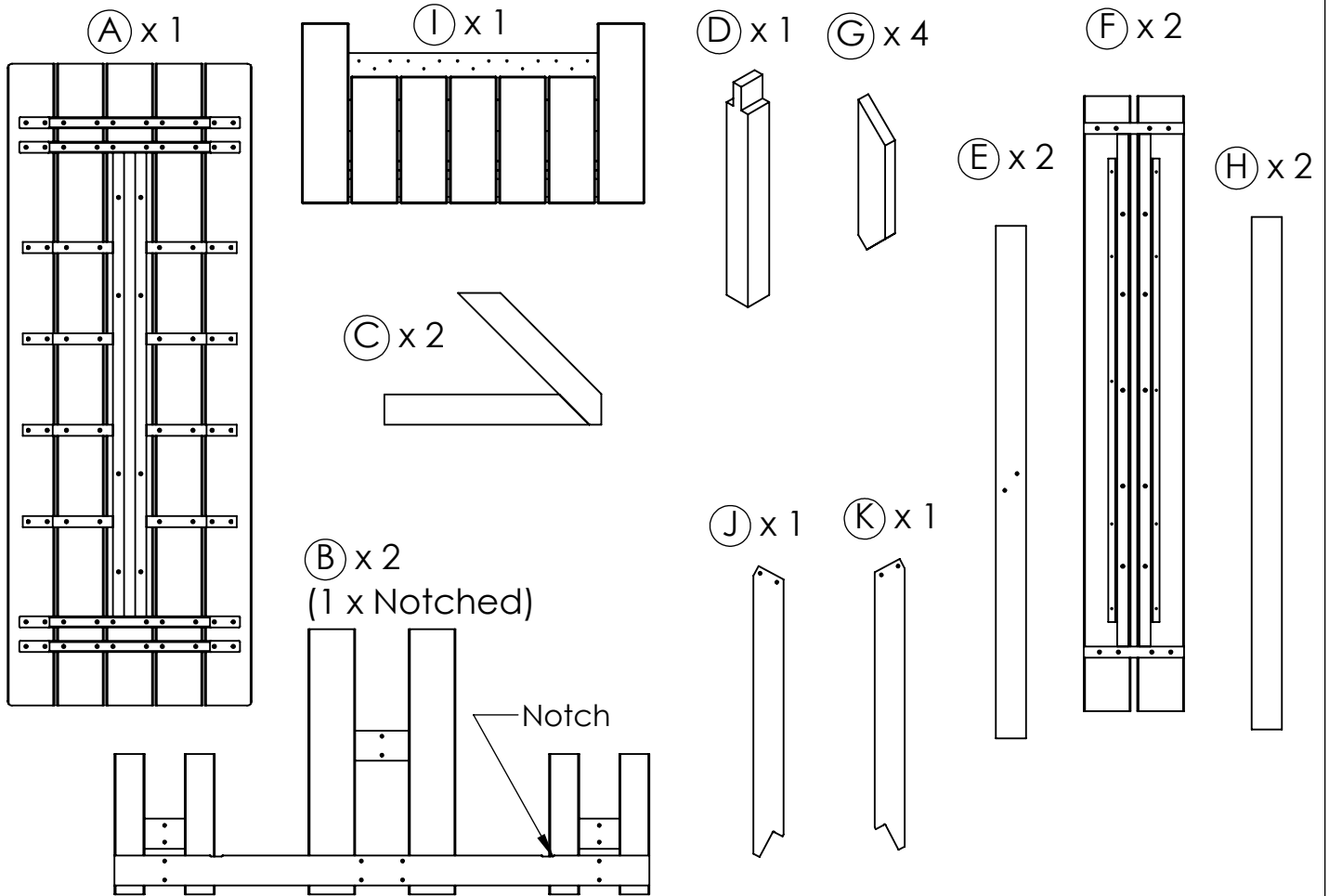
T52WC

Rectangular Picnic Table
(Wheelchair Accessible)



C.R. PLASTIC PRODUCTS

we create sustainable outdoor living



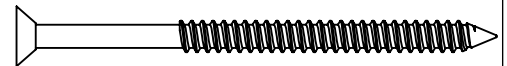
#2



L x 101 2.00" / 51 mm
2 SCREWS EXTRA



M x 2 2.50" / 63.5 mm



SCREW SIZE SCALE 1:1



1-866-439-9521



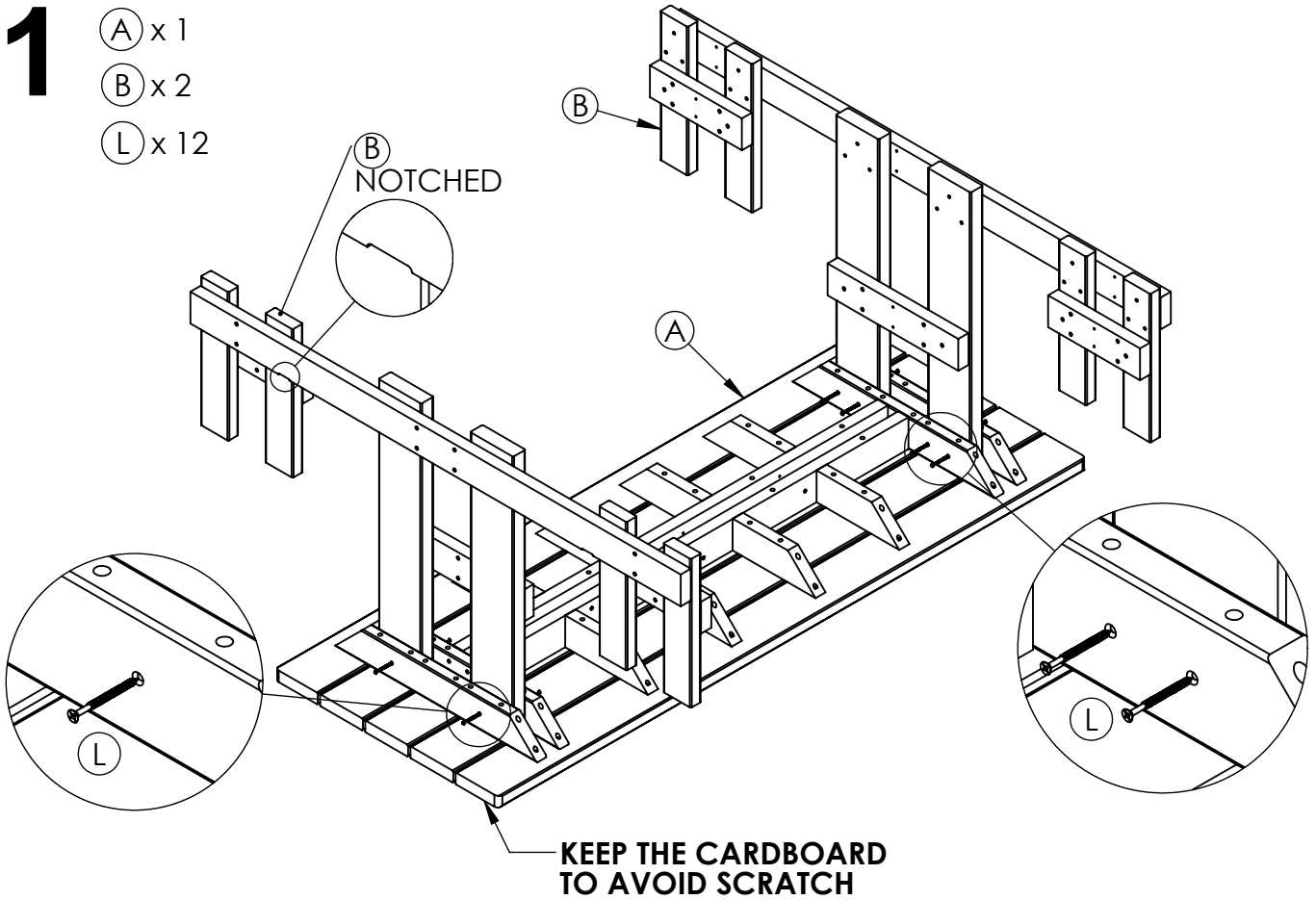
wecare@crplastics.com



www.crpproducts.com

1

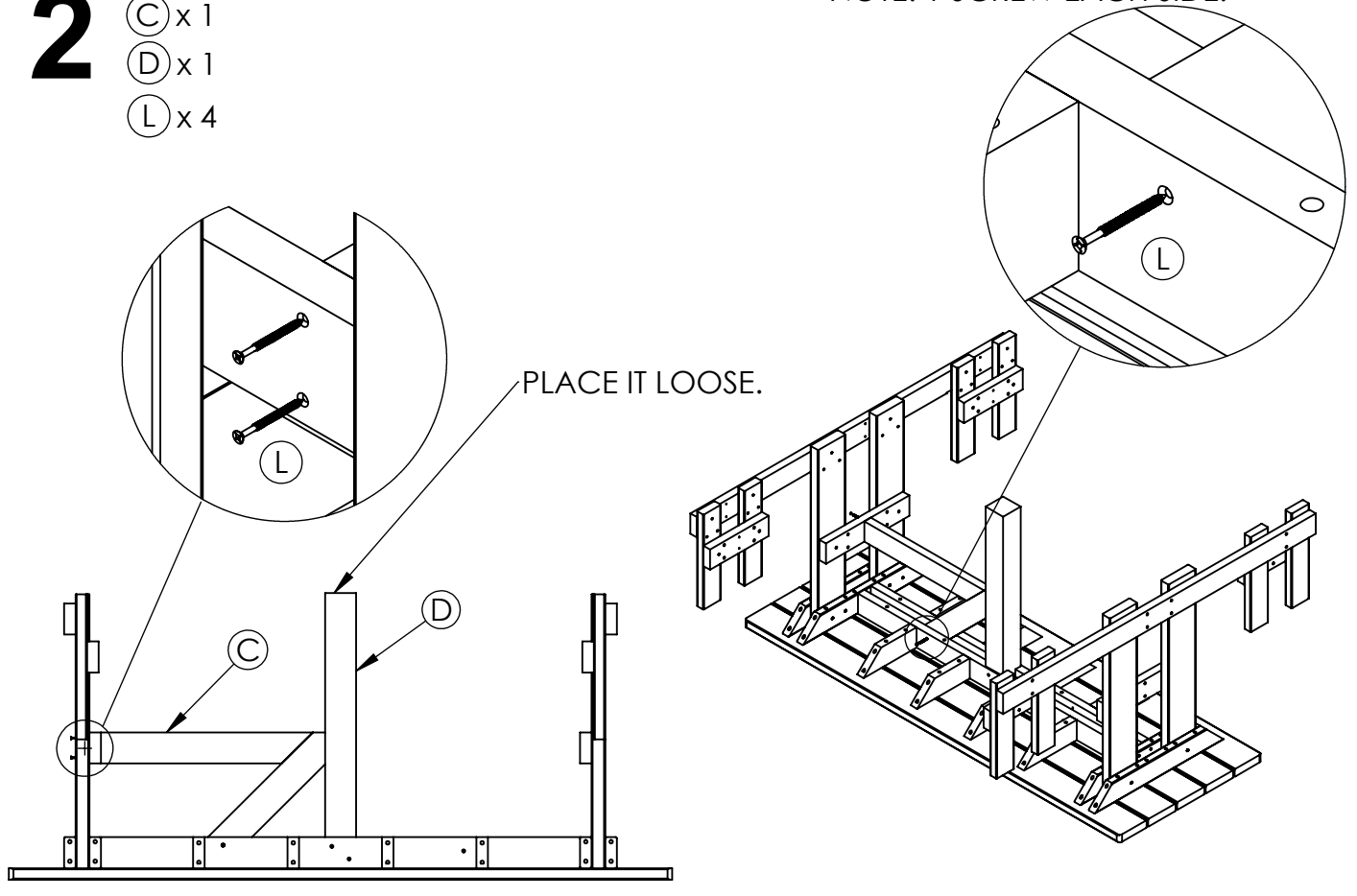
- (A) x 1
- (B) x 2
- (L) x 12



2

- (C) x 1
- (D) x 1
- (L) x 4

NOTE: 1 SCREW EACH SIDE.

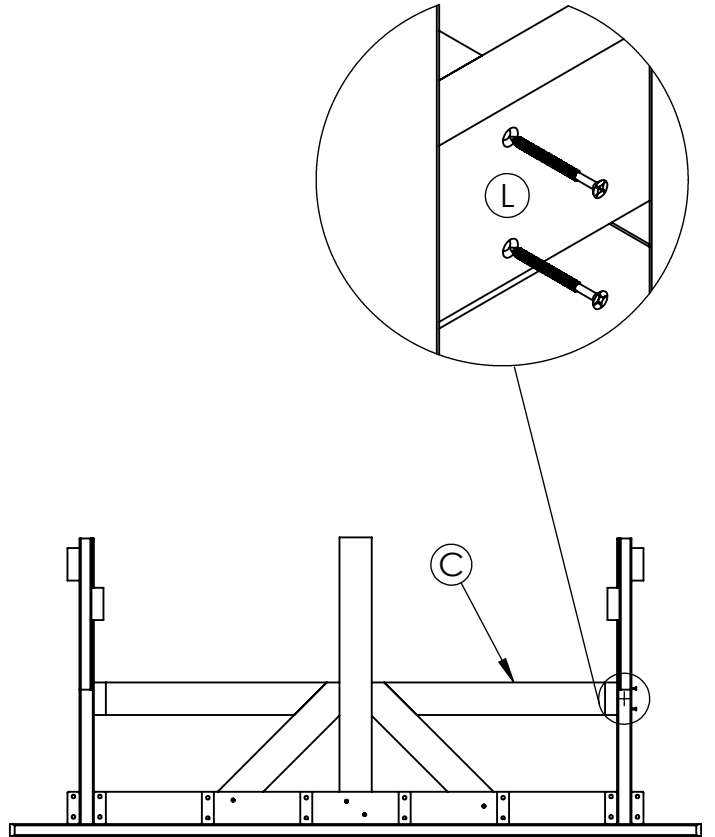
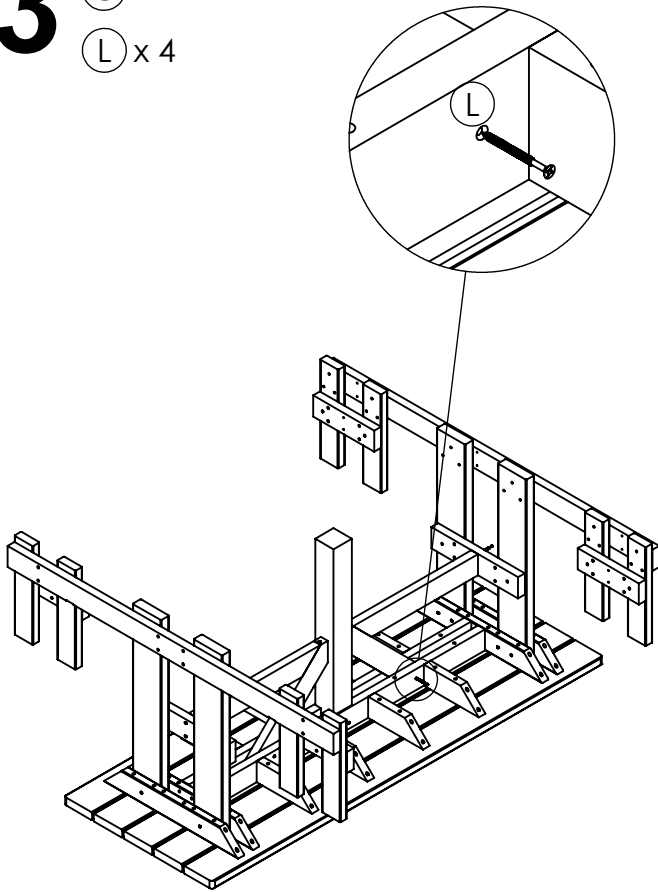


3

⊙ x 1

⊕ x 4

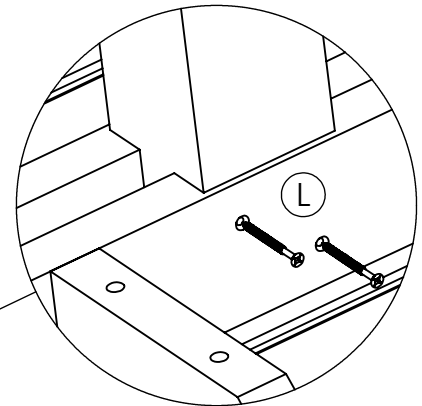
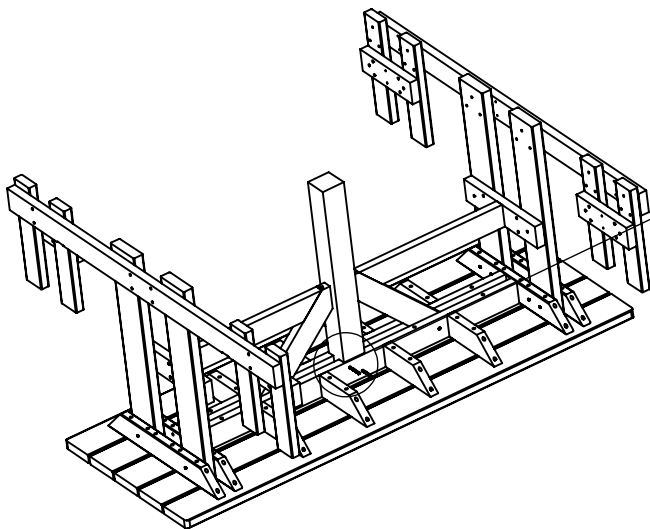
NOTE: 1 SCREW EACH SIDE.



4

⊕ x 4

NOTE: 2 SCREWS EACH SIDE.



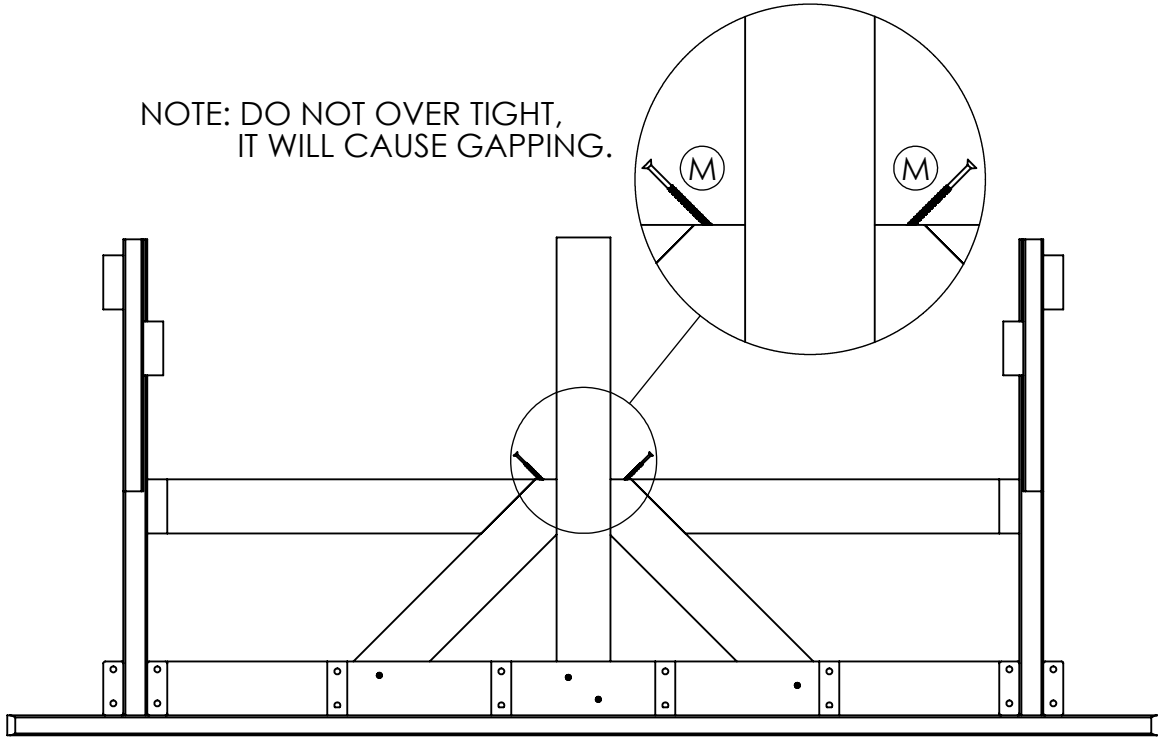
5

(M) x 2



FAILURE TO USE CORRECT SCREW
CAN DAMAGE THE PRODUCT.

NOTE: DO NOT OVER TIGHT,
IT WILL CAUSE GAPPING.

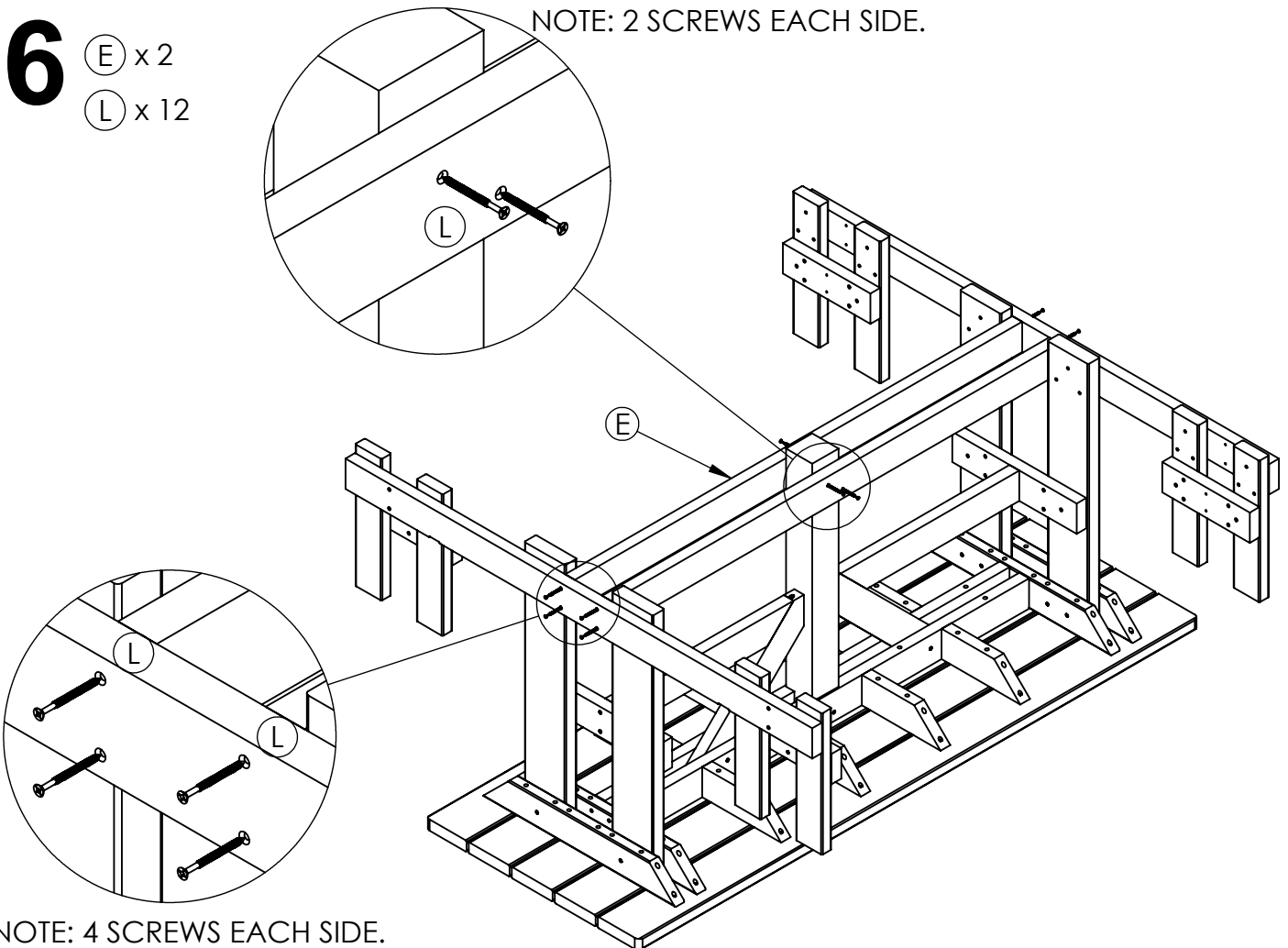


6

(E) x 2

(L) x 12

NOTE: 2 SCREWS EACH SIDE.

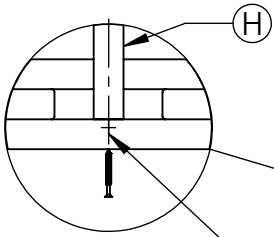


NOTE: 4 SCREWS EACH SIDE.

7

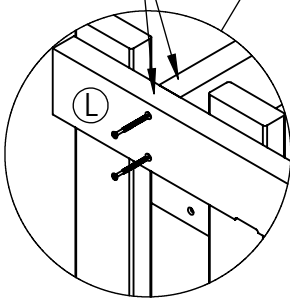
Ⓜ x 2

Ⓛ x 8

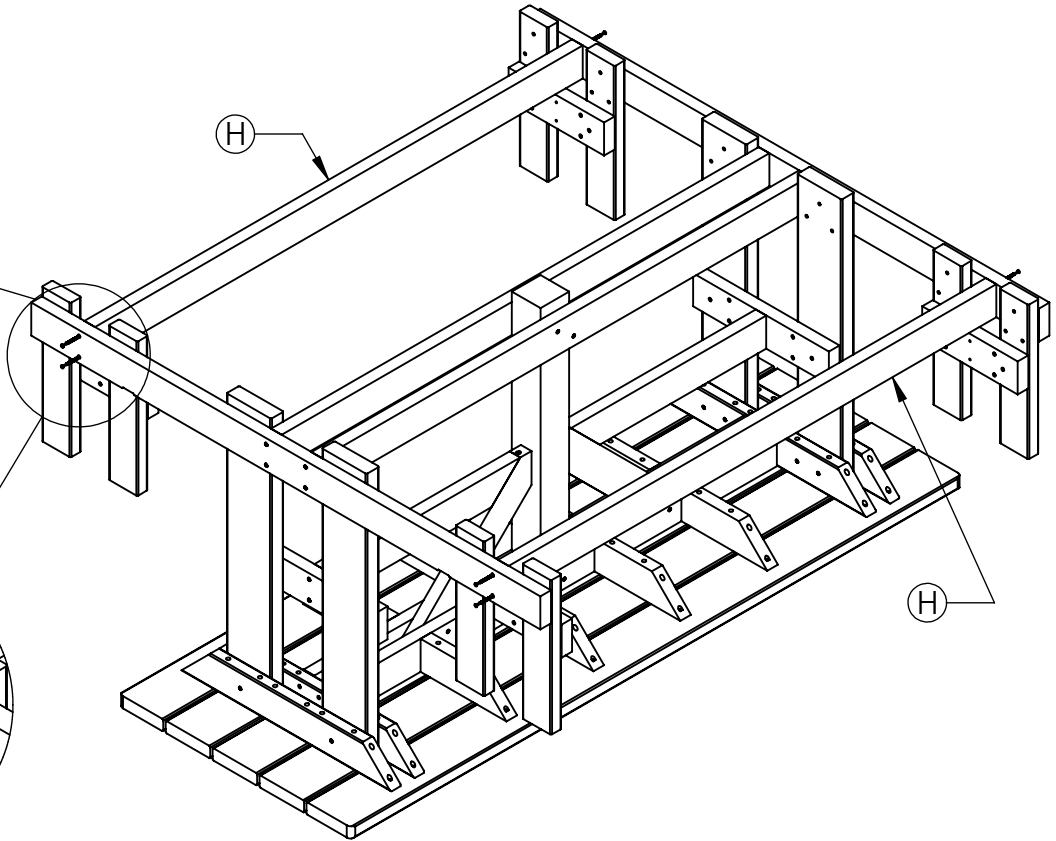


ALIGN TO CENTER

FLUSH



NOTE: 2 SCREWS EACH SIDE

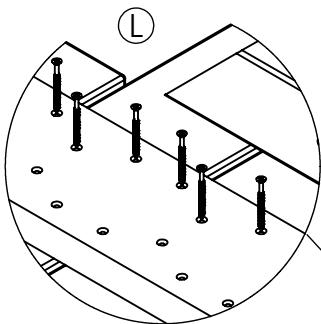


8

Ⓜ x 1

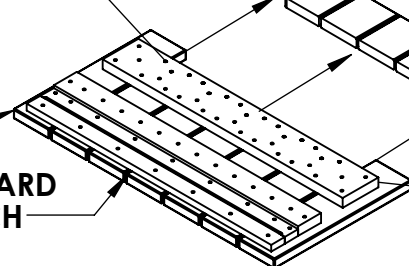
Ⓛ x 15

NOTCHED Ⓜ

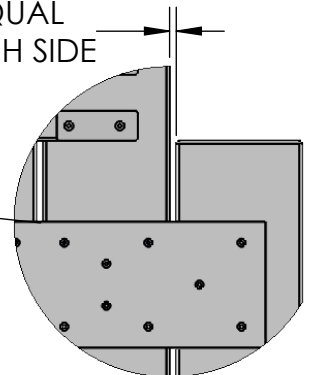


KEEP THE CARDBOARD TO AVOID SCRATCH

Ⓜ



KEEP EQUAL GAP EACH SIDE



ATTACH Ⓜ TO NOTCHED Ⓜ SIDE.

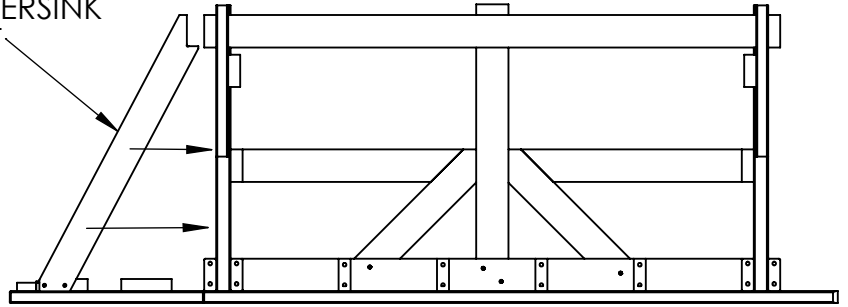
9

ⓐ x 1

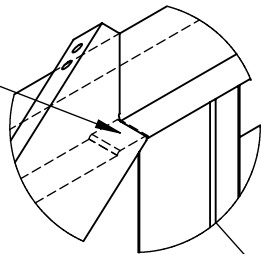
ⓑ x 1

ⓒ x 6

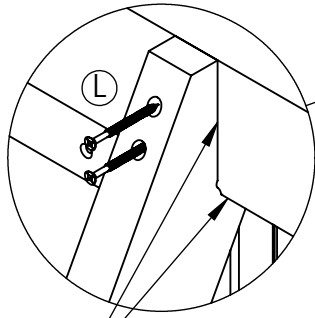
KEEP COUNTERSINK
FACING OUT



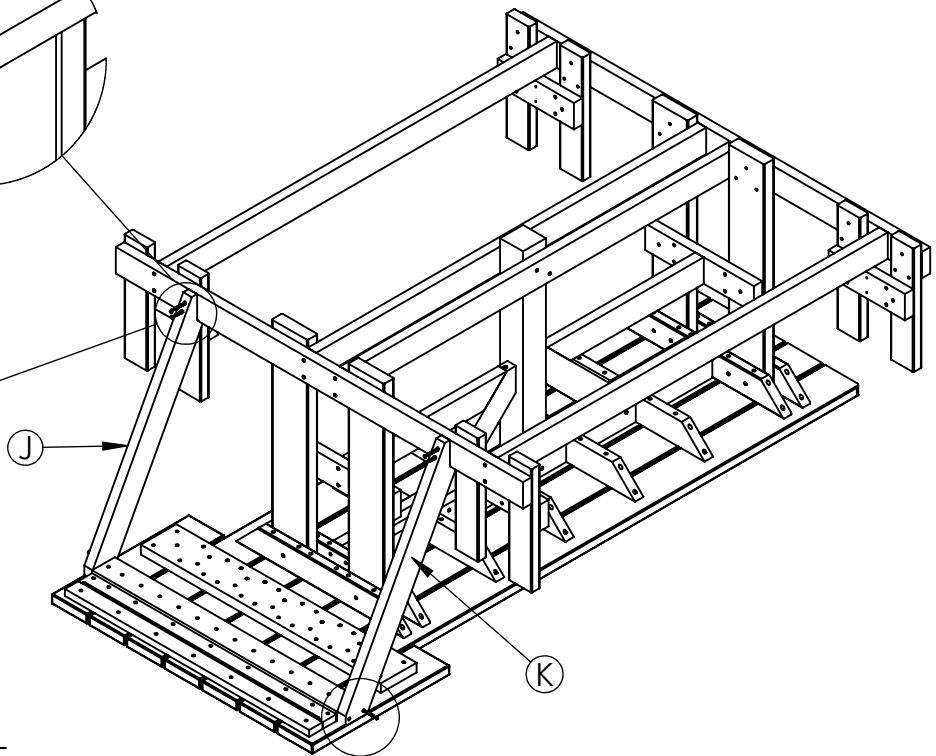
PLACE ⓐ,ⓑ IN
THE CENTER
OF NOTCH



STEP 9.1:

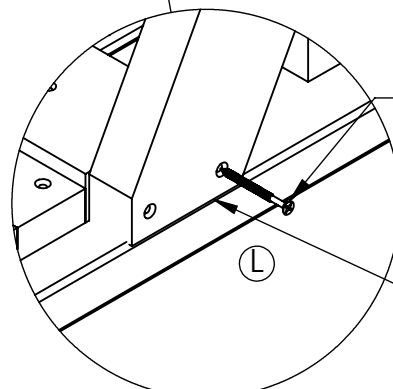


MAKE SURE
TO FLUSH



NOTE: 2 SCREWS EACH SIDE

STEP 9.2:



SCREW IN INSIDE
COUNTERSINK ONLY

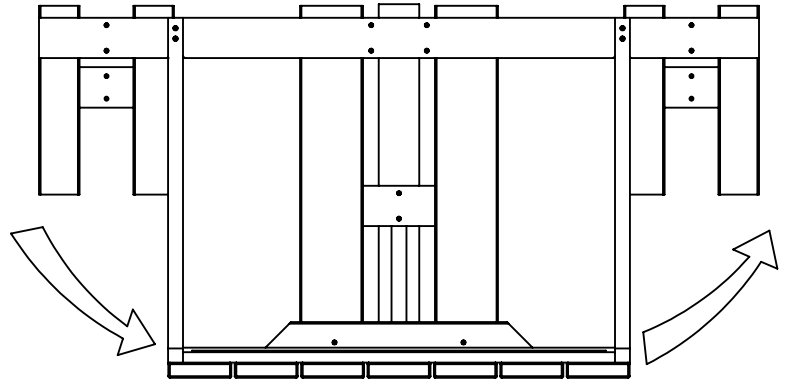
FLUSH

NOTE: 1 SCREWS EACH SIDE ONLY

10

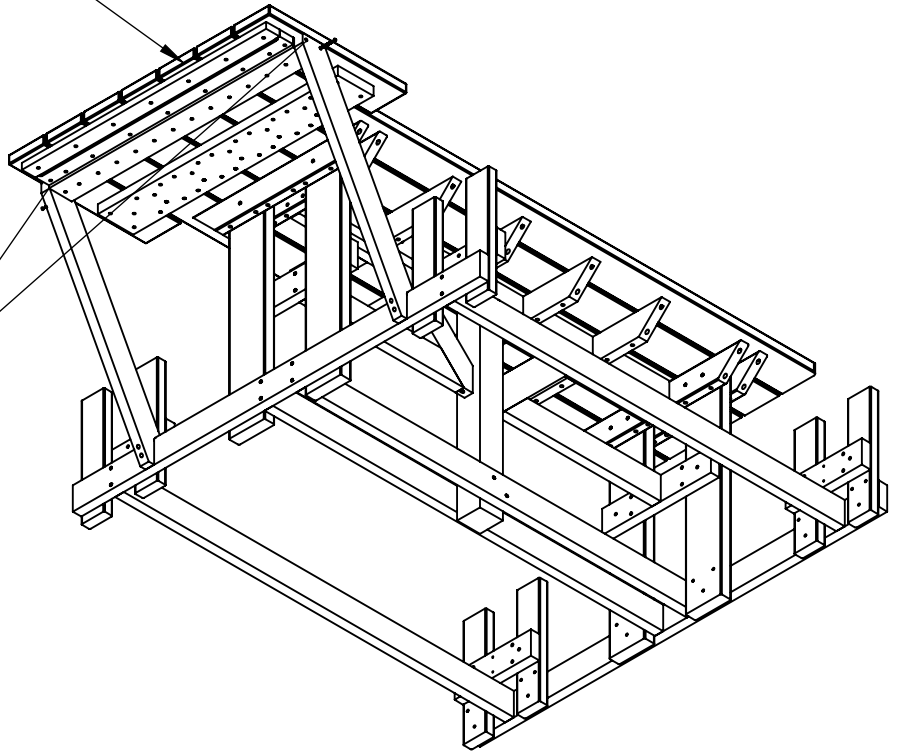
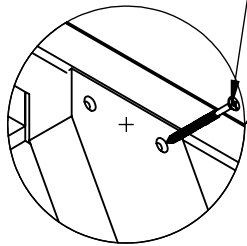
 $\text{L} \times 2$ 

DO NOT HOLD
EXTENSION TABLE TO FLIP



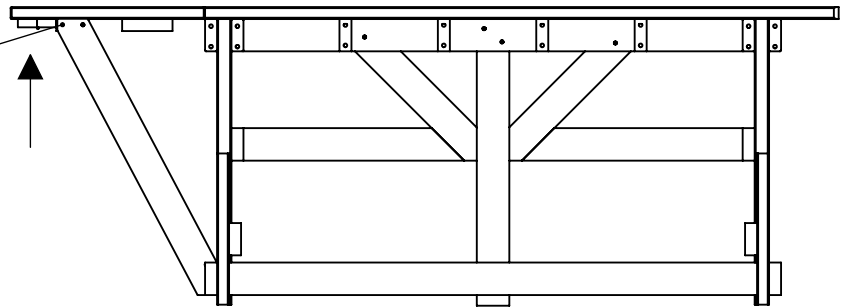
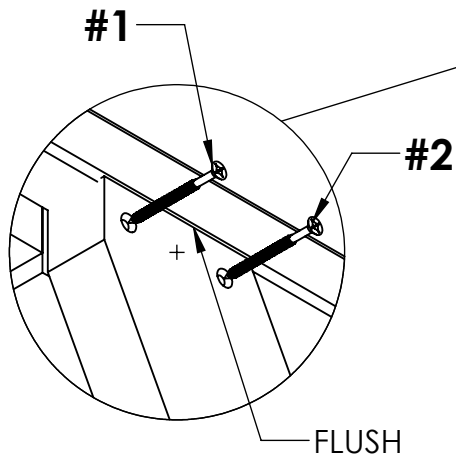
STEP 10.1:

**NOTE: LEVELING WITH
TABLETOP (IF REQUIRED)**
REMOVE SCREW L
FROM BOTH SIDE



STEP 10.2:

MANUALLY LIFT UNTIL FLUSH
WITH TABLETOP AND INSTALL
SCREWS IN THE SAME
SEQUENCE AS SHOWN BELOW.

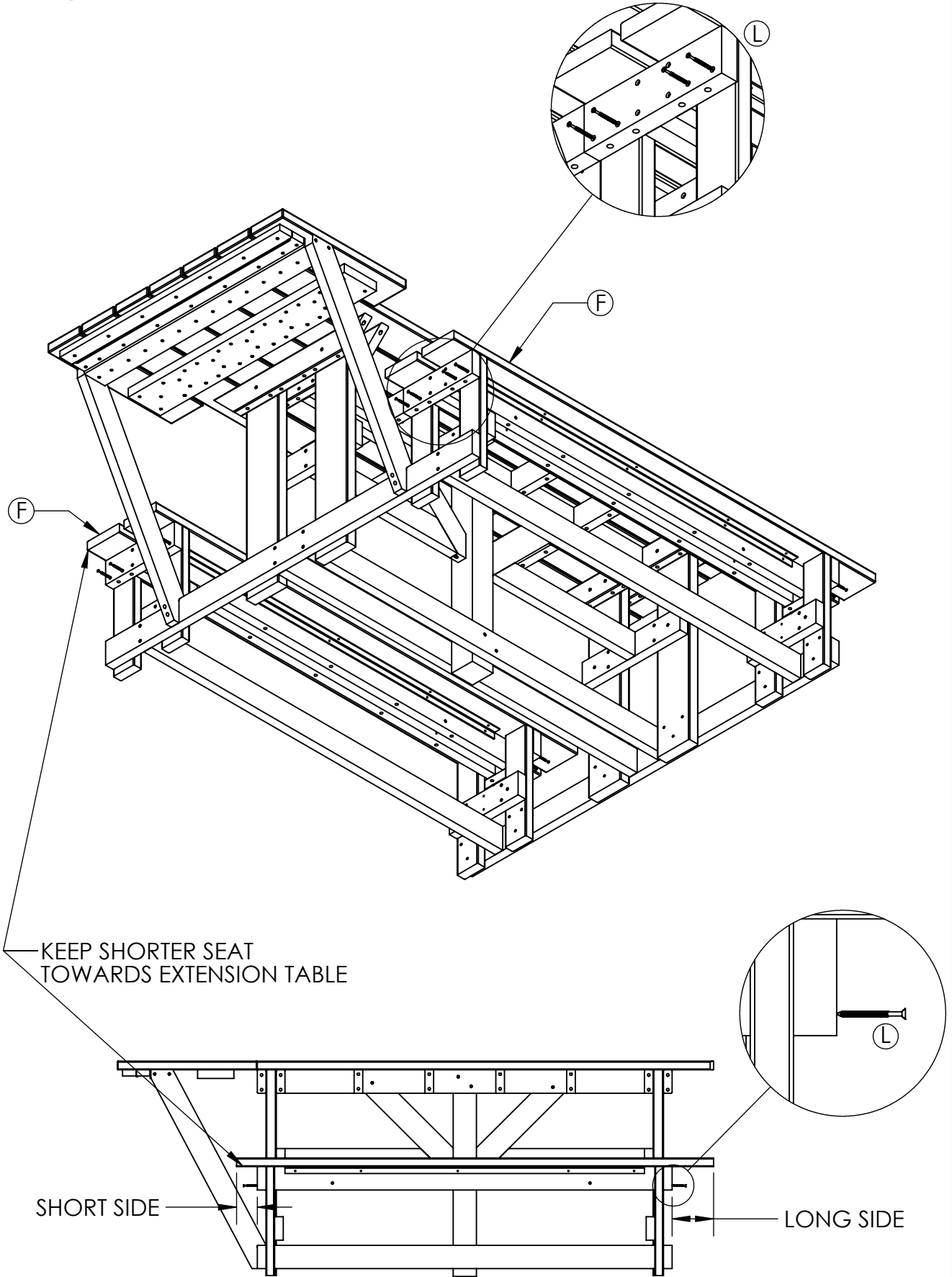


11

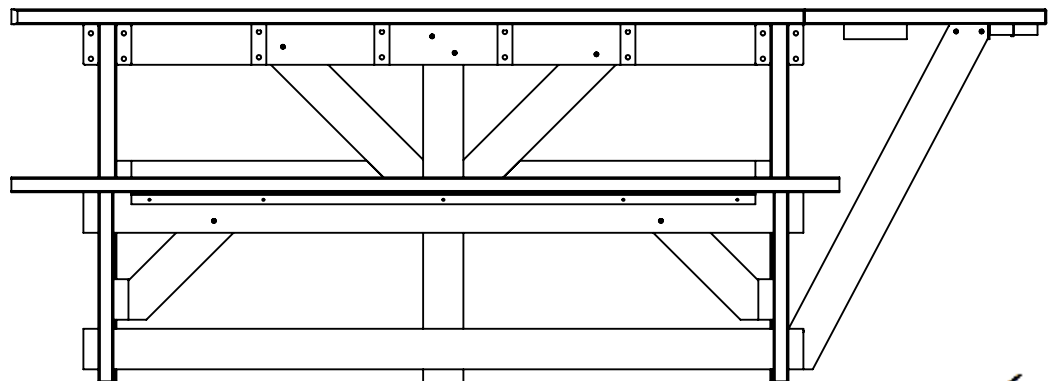
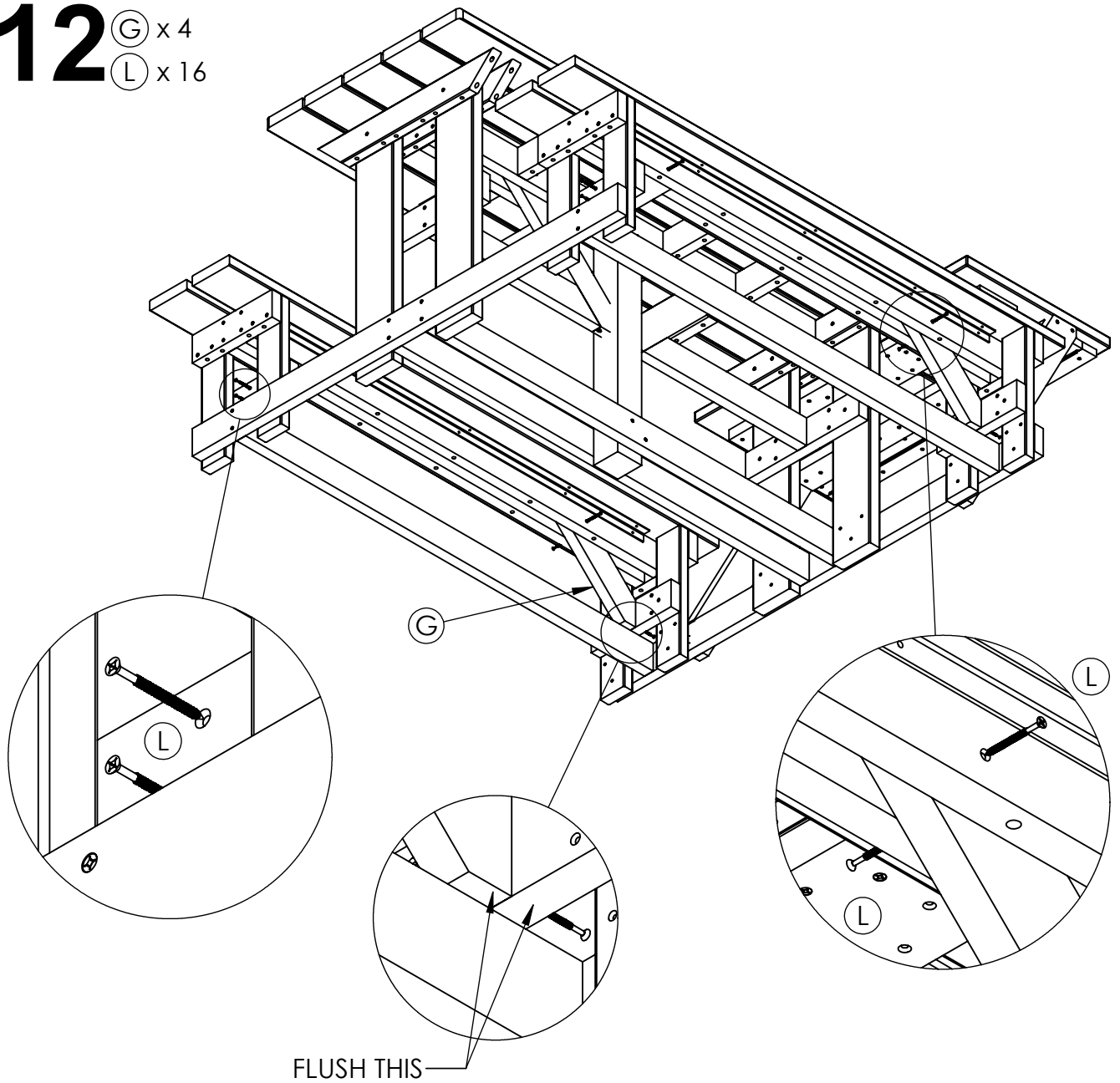
(F) x 2

(L) x 16

NOTE: 4 SCREWS ON EACH SIDE OF SEAT



12 \textcircled{G} x 4
 \textcircled{L} x 16



NOTE: TABLE MUST BE PLACE ON A FLAT SURFACE.