

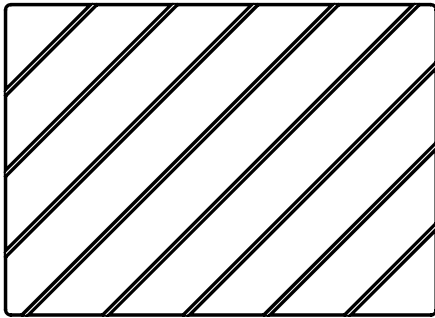


Crystal Harbor

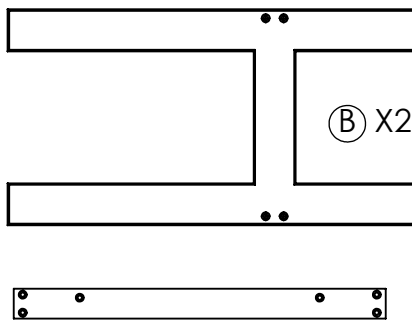
COLLECTION[®]

BY C.R. PLASTIC PRODUCTS

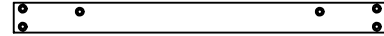
TCH01



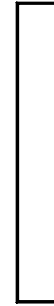
(A) X1



(B) X2



(D) X2



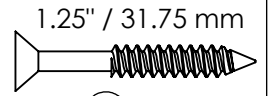
(C) X2



(E) X2



(F) X2



(G) X36

FASTENER TO SCALE 1:1



1-866-439-9521

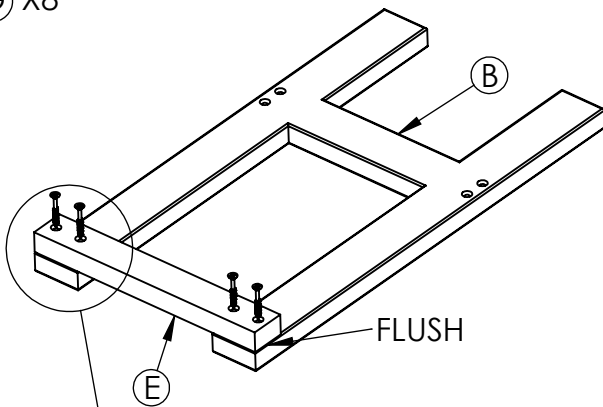


wecare@crplastics.com



www.crpproducts.com

- 1**
- (B) X2
 - (E) X2
 - (G) X8



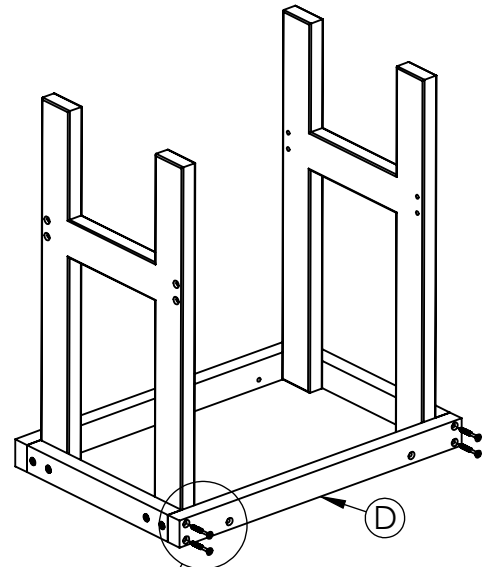
FLUSH

(E)

FLUSH

x2

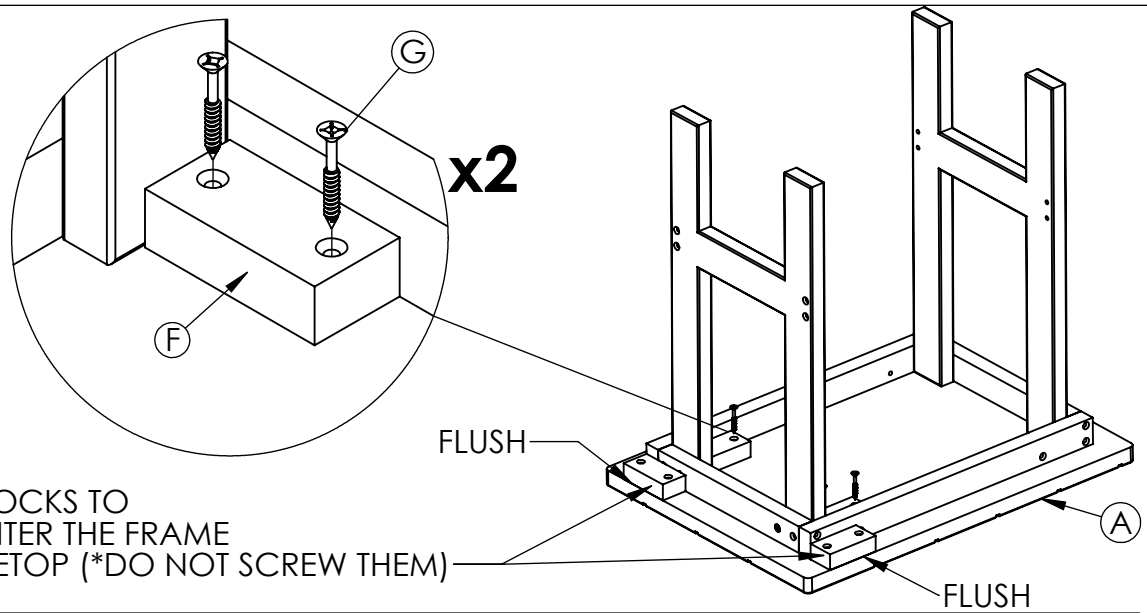
- 2**
- (D) X2
 - (G) X8



(D)

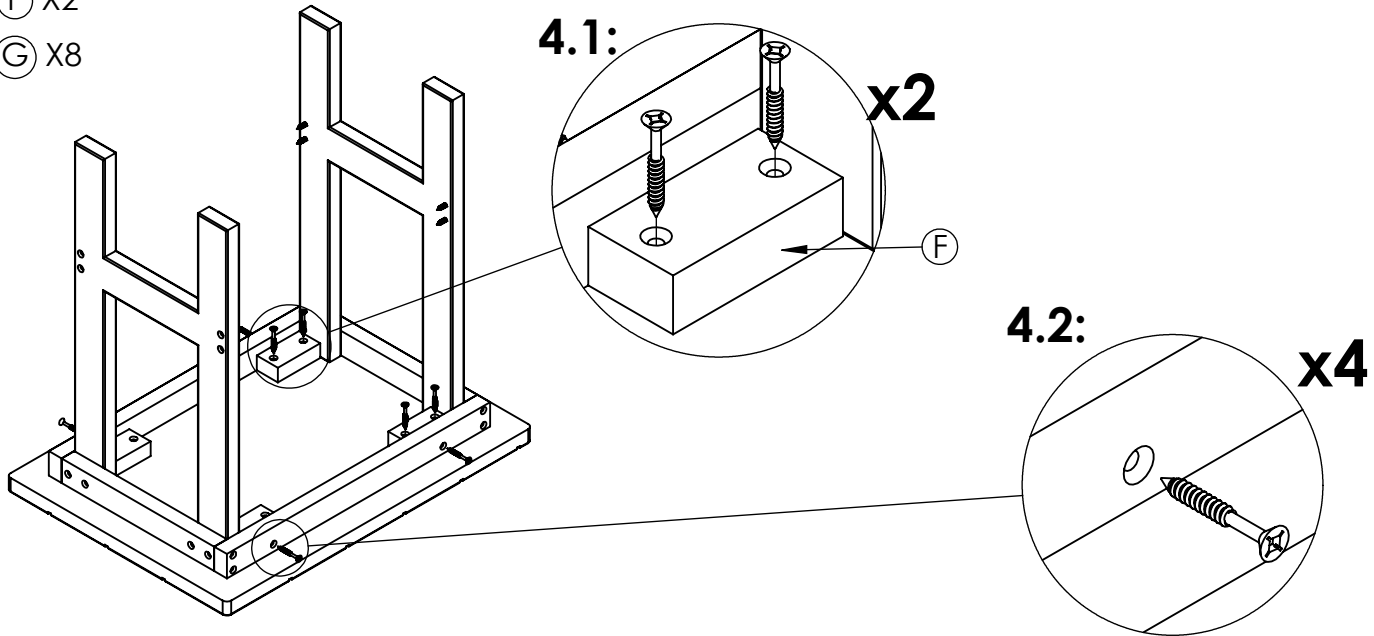
KEEP THIS
COUNTERSINK DOWN

- 3** (A) X1
 (F) X2
 (G) X4



USE THESE BLOCKS TO LOCATE/CENTER THE FRAME ON THE TABLETOP (*DO NOT SCREW THEM)

- 4** (F) X2
 (G) X8



- 5** (C) X2
 (G) X8

