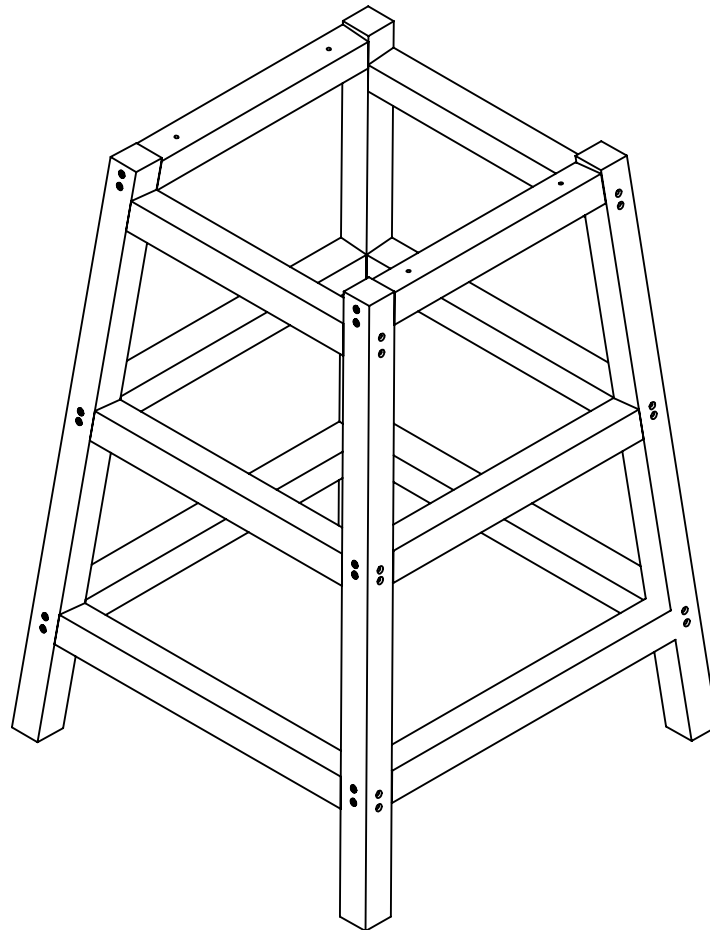


C.R. PLASTIC PRODUCTS

we create sustainable outdoor living

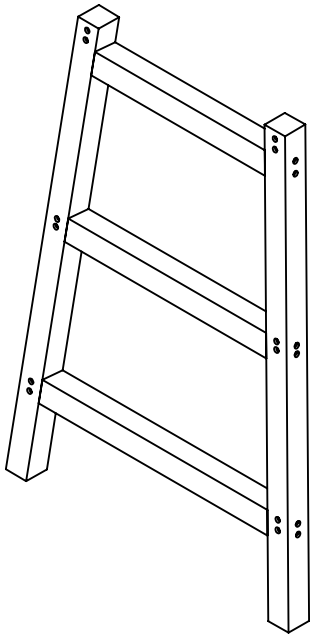
TB02 / TB03 / TB03C



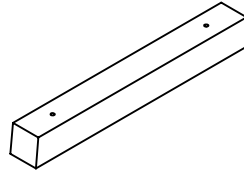
C.R. PLASTIC PRODUCTS

we create sustainable outdoor living

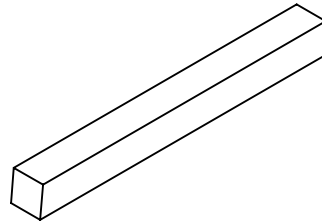
Ⓐ x 2



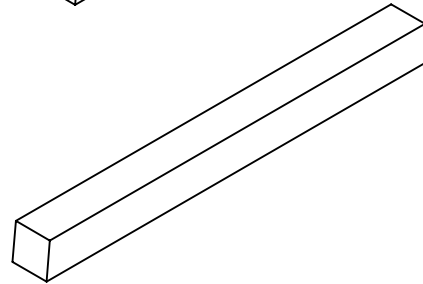
Ⓑ x 2



Ⓒ x 2



Ⓓ x 2



#2



Ⓔ x 24

2.50" / 63.5 mm



Ⓕ x 4

2.00" / 51 mm



1-866-439-9521



wecare@crplastics.com



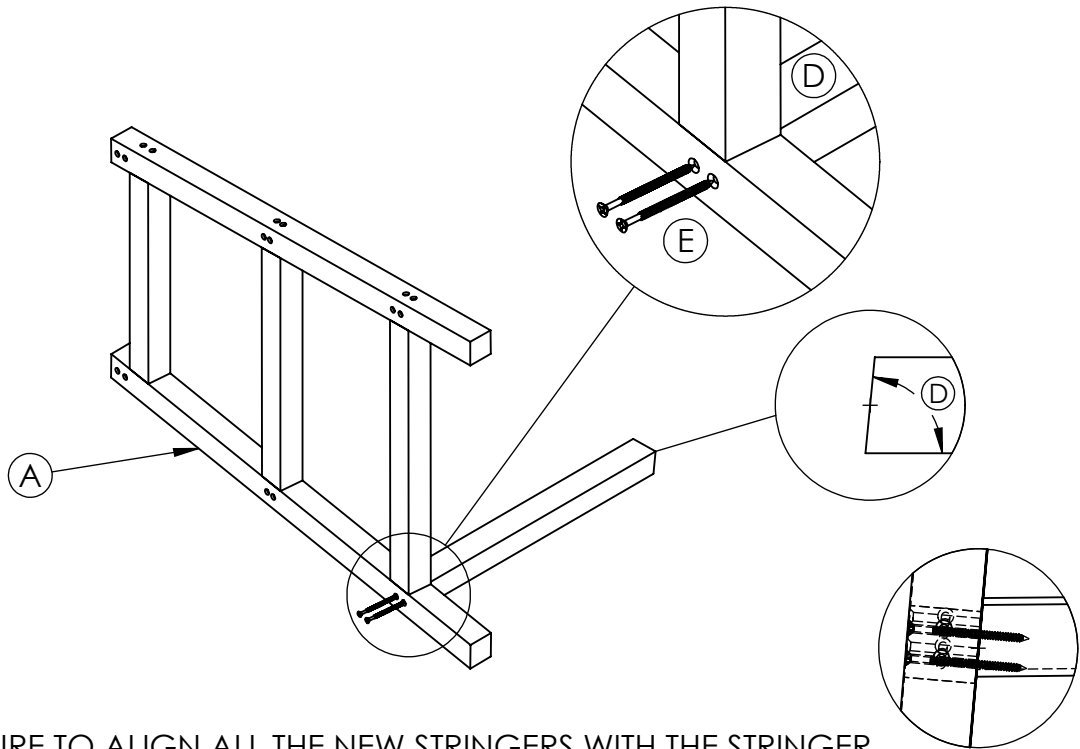
www.crpproducts.com

1

(A) x 1

(D) x 1

(E) x 2

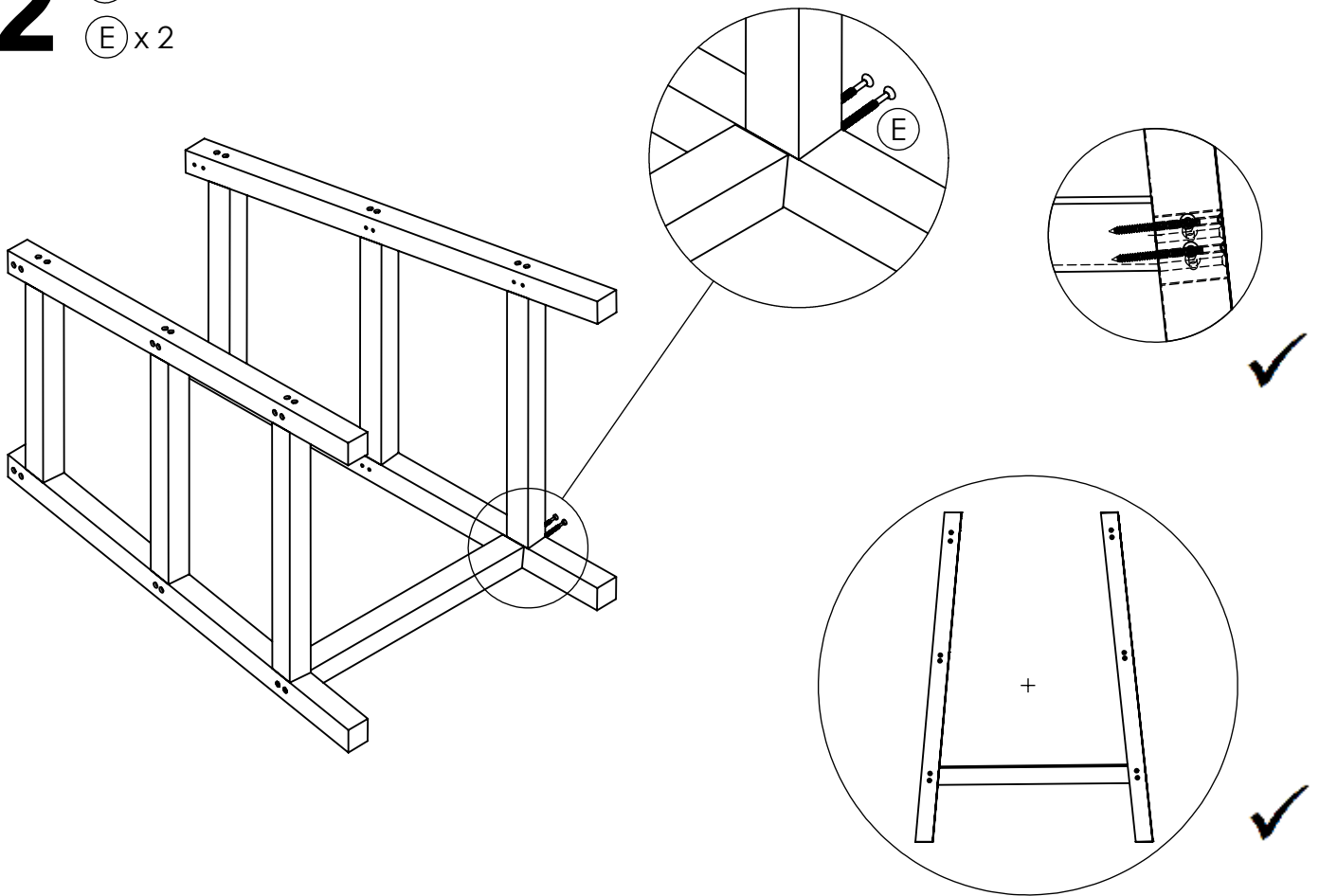


NOTE: MAKE SURE TO ALIGN ALL THE NEW STRINGERS WITH THE STRINGER ON THE LEG-ASSEMBLY

2

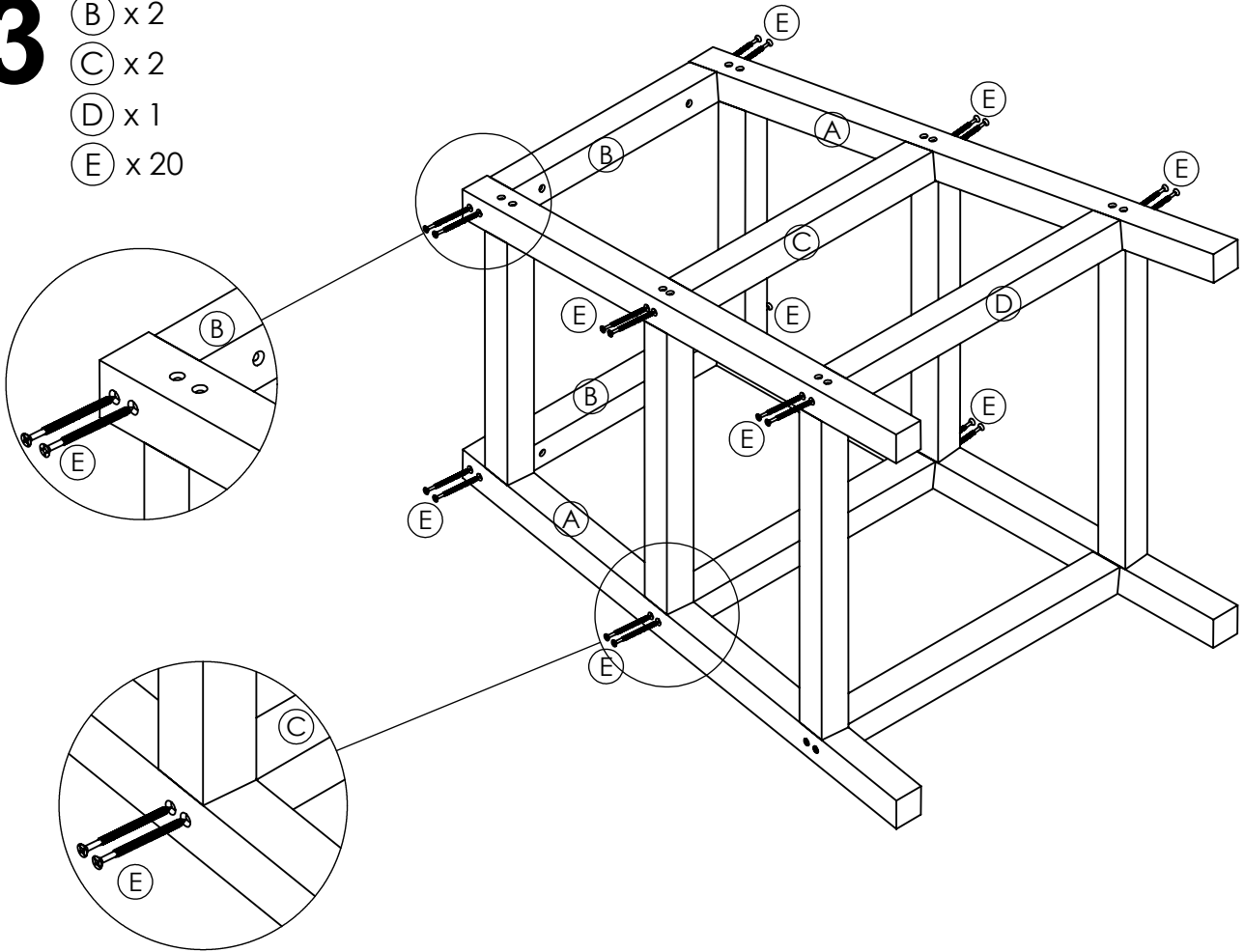
(A) x 1

(E) x 2



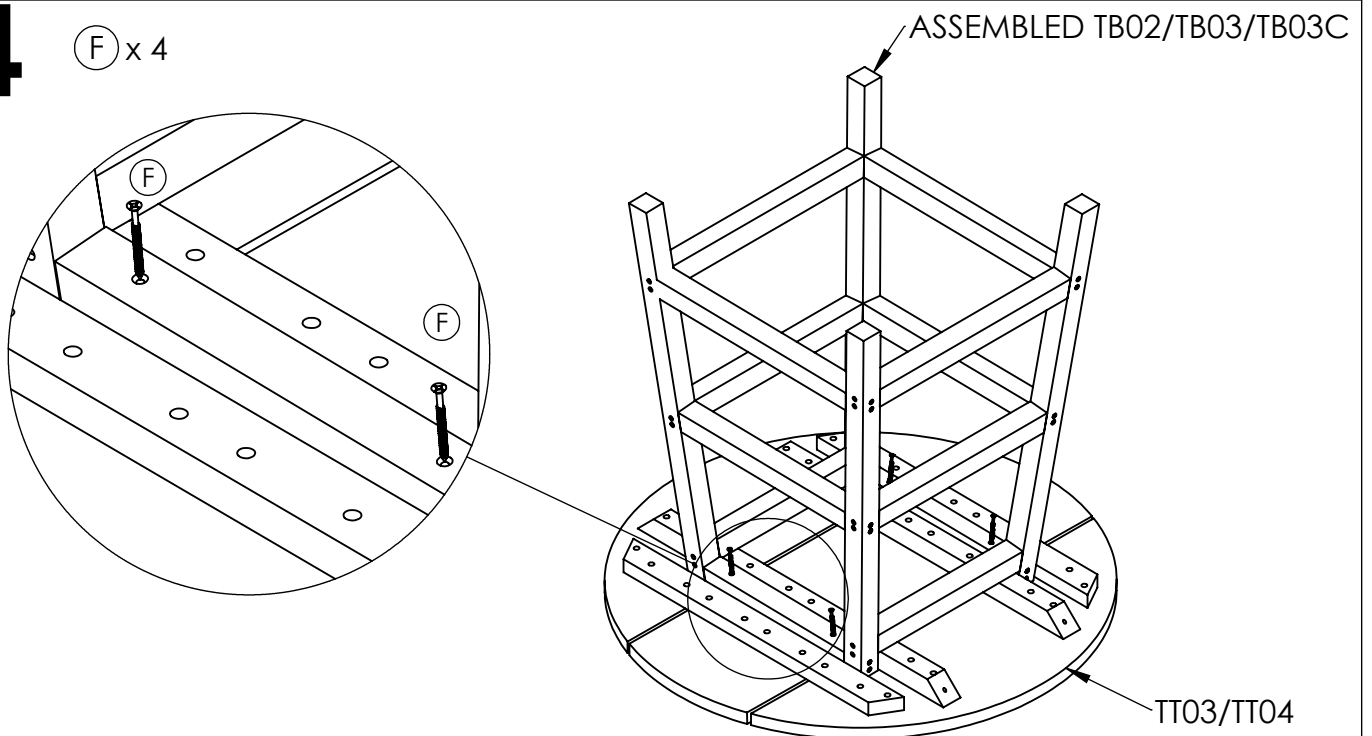
3

- (B) x 2
- (C) x 2
- (D) x 1
- (E) x 20



4

- (F) x 4



NOTE: KEEP CARDBOARD BOX UNDER THE TT03/TT04 TO PREVENT FROM SCRATCH.

